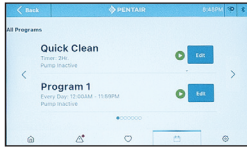
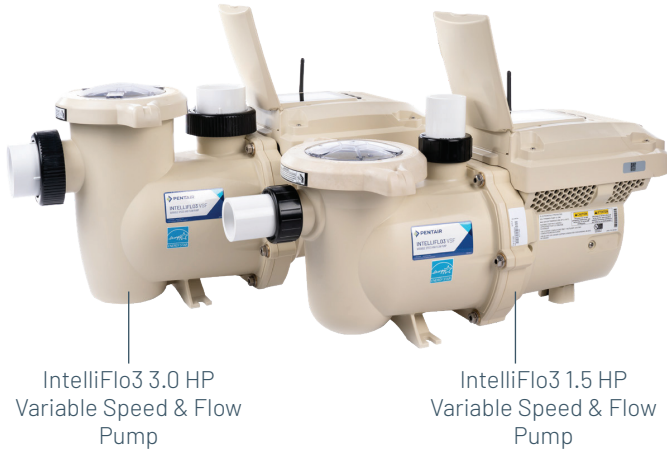


INTELLIFLO3® VSF

VARIABLE SPEED AND FLOW PUMP



Optional touchscreen for more flexible control.



IntelliFlo3 3.0 HP Variable Speed & Flow Pump

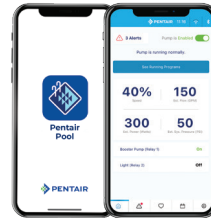
IntelliFlo3 1.5 HP Variable Speed & Flow Pump

This pump combines true set-it-and forget-it patented flow technology paired with smart connectivity of the Pentair Pool app. The proprietary combination of variable speed plus auto-regulated flow means all good things flow from the IntelliFlo3 pool pump—for

your customers and for your business. Small pool or big, this pump is a simple, smart, worry-free way to give pool owners the effortless, inviting pool experience they expect.

FEATURED HIGHLIGHTS

- Proprietary flow technology maintains the pool's optimal flow
- Easy control via the Pentair Pool app or optional touchscreen
- Up to 90% energy savings*
- New motor, drive, and hydraulics
- Optional onboard automation
- Optional onboard automation
- Easy setup and remote updates



Pentair Pool app: pool owners can access the pool anytime, anywhere.



Pentair Pro app: ability to control and remotely monitor.

ORDERING INFORMATION

Product	Model	Voltage	Full Load Amps	kW	HP	SF	WEF	FREQ.	Certifications ³	Port Size (NPT)	Carton Wt. (kg)
---------	-------	---------	----------------	----	----	----	-----	-------	-----------------------------	-----------------	-----------------

INTELLIFLO3 VARIABLE SPEED AND FLOW POOL PUMP (3HP MODEL)

011075	IntelliFlo3 VSF 3HP	230	12.4-11.2	2.2	3	1.32	7.1	50hz/60hz	UL ¹ , NSF ²	2 in. x 2 in.	25
011076	IntelliFlo3 VSF 3.0 HP with relay board*	230	12.4-11.2	2.2	3	1.32	7.1	50hz/60hz	UL ¹ , NSF ²	2 in. x 2 in.	25
011077	IntelliFlo3 VSF 3.0 HP with touchscreen*	230	12.4-11.2	2.2	3	1.32	7.1	50hz/60hz	UL ¹ , NSF ²	2 in. x 2 in.	25
011078	IntelliFlo3 VSF 3.0 HP with touchscreen and relay board*	230	12.4-11.2	2.2	3	1.32	7.1	50hz/60hz	UL ¹ , NSF ²	2 in. x 2 in.	25

INTELLIFLO3 VARIABLE SPEED AND FLOW POOL PUMP (1.5 HP MODEL)

011065	IntelliFlo3 VSF 1.5HP	230	12/6.4-5.9	1.1	1.5	1.32	9.4	50hz/60hz	UL ¹ , NSF ²	1.5 in. x 1.5 in.	21.7
011066	IntelliFlo3 VSF 1.5 HP with relay board*	230	12/6.4-5.9	1.1	1.5	1.32	9.4	50hz/60hz	UL ¹ , NSF ²	1.5 in. x 1.5 in.	21.7
011067	IntelliFlo3 VSF 1.5 HP with touchscreen*	230	12/6.4-5.9	1.1	1.5	1.32	9.4	50hz/60hz	UL ¹ , NSF ²	1.5 in. x 1.5 in.	21.7
011068	IntelliFlo3 VSF 1.5 HP with touchscreen and relay board*	230	12/6.4-5.9	1.1	1.5	1.32	9.4	50hz/60hz	UL ¹ , NSF ²	1.5 in. x 1.5 in.	21.7

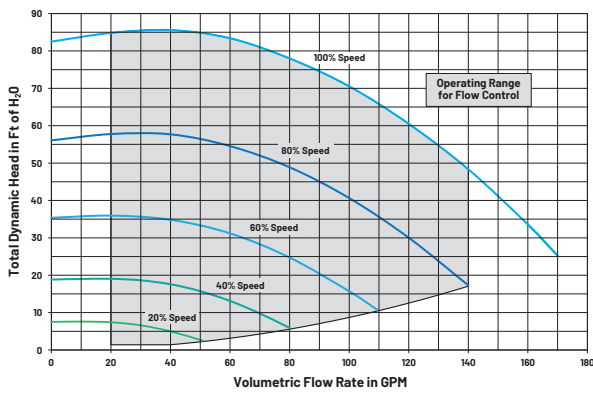
¹ 'UL' indicates that pump bears a UL mark signifying evaluation to U.S. Standards UL1081 for Permanently Connected Swimming Pool and Spa Pumps and to Canadian Standards CAN/CSA C22.2 No. 108-01 Liquid Pumps For Swimming Pools Only (Enclosure 3).

² 'NSF' indicates that pump bears a mark signifying evaluation to NSF Standard 50 For Self-Priming Centrifugal Pumps For Swimming Pools, Spas and Hot Tubs.

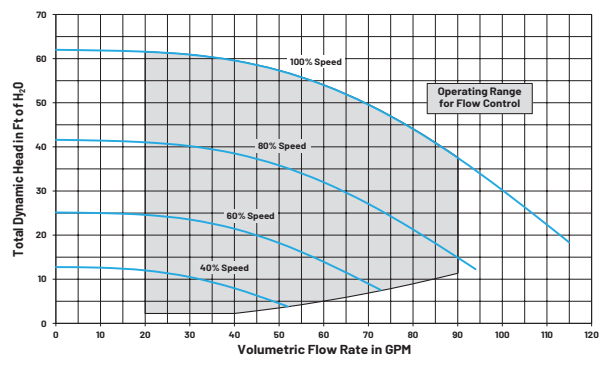
³ Product may have been evaluated to other state and local regulatory standards. Listing status may change. Always confirm status with appropriate agency if in doubt.

Product	Description
INTELLIFLO3 ADD ONS	
56159Z	IntelliFlo3 VSF Universal Touchscreen Add On
356365Z	IntelliFlo3 VSF Optional Universal Relay Board Kit
358163Z	50 ft 2 Conductor Automation Cable
410009	2.5" Sweep Elbow Pump Kit
410029	3" Union Kit for 3 HP Pumps
3511571	1-1/2" Internal Slip x 2" External Slip Union Kit for 1.5 HP Pumps (includes 2 unions)
357831Z	Retrofit Riser Base Kit for 1.5 HP Models—IntelliFlo and WhisperFlo Models
357832Z	Retrofit Riser Base Kit for 1.5 HP Models—IntelliPro, Max-E-Pro, and Challenger Models
357833Z	Retrofit Riser Base Kit for 3.0 HP Models—IntelliPro, Max-E-Pro, and Challenger Models

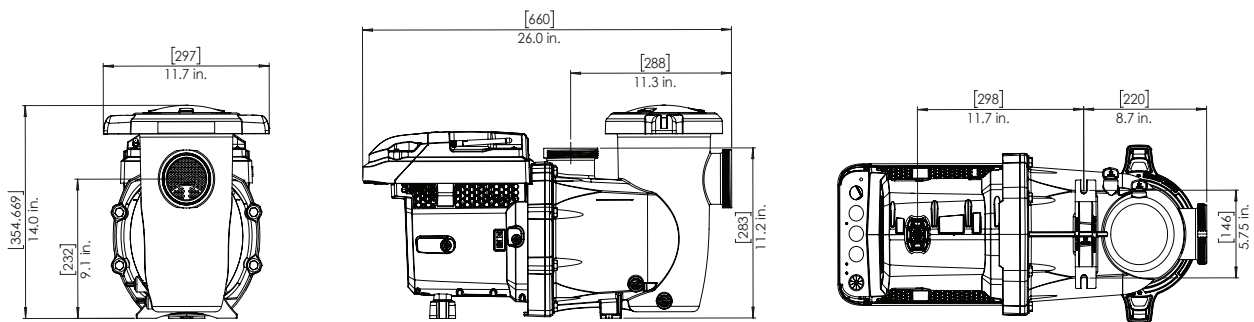
Pump Performance Curves (3 HP Models)



Pump Performance Curves (1.5 HP Models)



Pump Dimensions (3 HP Models)



Pump Dimensions (1.5 HP Models)

