

A photograph of a resort pool at dusk. The pool is illuminated with blue lights, and the surrounding area is lit with warm yellow lights. There are lounge chairs and umbrellas around the pool. In the background, there is a large, modern building with balconies and palm trees.

# 2024-25 PRODUCT CATALOG

MIDDLE EAST & INDIA

[PENTAIR.COM](https://www.pentair.com)



IntelliFlo®  
WhisperFlo® VF/VSD



IntelliFlo®  
5PXF™ VSD



IntelliFlo®  
SW5P6™ VSD



SuperFlo® VS



SuperMax® VS



S5P2R™ VS



Clean & Clear®



Clean & Clear™  
RP



Clean & Clear™ Plus



Inverter Heat Pump

## PENTAIR ECO-FRIENDLY EQUIPMENT FOR POOLS

Products designated under the Eco Select™ brand represent our “greenest” and most efficient products because of their ability to **save energy, conserve water, eliminate noise** or otherwise **contribute to a more environmentally responsible equipment system** (reduction of CO<sub>2</sub> emissions or reduction of chemicals sent to the drain).

The Eco Select™ Brand is associated with several existing **Pentair** products that already meet these objectives. All of them are helping to create a “greener” pool landscape. In every case, a product that earns the Eco Select™ Brand is amongst the most environmentally advanced in the market.

# 2024 INNOVATIONS

## PENTAIR NEW PRODUCTS

**INTELLIPOOL®**



**INTELLICENTRE™**



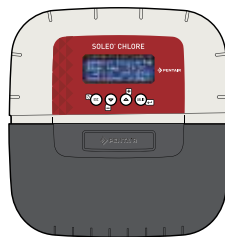
**COMMERCIAL INTELLICHEM®**



**INTELLICONNECT™**



**SOLEO CHLORE®**



**INTELLIVALVE®**



**MICROBRITE™**



**COMMERCIAL HEAT PUMP**



**INVERTER HEAT PUMP**



**PROWLER**



**MAGICFLAME®**



**INTELLIFLO® VSF**



# 2024 INNOVATIONS

## PENTAIR NEW PRODUCTS

### OMNIA RANGE



SILENT FLO

### BLUEFLO®



PANTERA® SAND FILTER

### PANTERA EVOLUTION



CRISTALFLO II SAND FILTER



PANTERA



PWT-V COMMERCIAL  
FILTER



LEISURETIME II® TOP  
MOUNT FILTER



PWT-S COMMERCIAL  
FILTER



PWT-NL  
COMMERCIAL FILTER



PWT COMMERCIAL FILTER



# WHOLE GOODS DIRECTORY

## AUTOMATION ..... 9

Intellicentre™	10
Intelliconnect™	12
Intellivalve®	13
Commercial Intellichem®	14
Intellipool®	15
Soleo®	16
Soleo®VS	21
Soleo Chloro®	22
Maestro®	23

## FILTERS ..... 27

Clearpro Technology®	28
Triton® II with ClearPro Technology®	29
Triton®	30
Sr Filters™	31
Triton® Neo	32
Triton® II	34
Tagelus®	35
Cristal-Flo™ SM	37
Cristal-Flo™ TM	38
Sand Dollar®	39
Lacus - Side And Top Mount	40
CristalFlo II Sand Filter	42
Pantera® Sand Filter	44
Leisuretime II® Top Mount Filter	46
Pro-Valve	48
FreeFlo Cartridge Filter	49
FullfloXF	50
Clean & Clear®	51
Clean & Clear® Plus	52
Clean & Clear® RP	53
Posi-Clear™ RP	54
Quad D.E.® Filters	55
Lacus - Commercial	56
PWT-V Commercial Filter	58
PWT-S Commercial Filter	59
PWT-SDB Commercial Filter	60
PWT-NL Commercial Filter	62
PWT Commercial Filter	64
Stark™ SS Series Filters	69
Stark™ S Series Filters	71
Stark™ 5S Series Filters	73
Stark™ Filters	75
Stark™ AQ Series™ Filters	76

## VALVES ..... 79

Filter valves	80
---------------	----

## PUMPS ..... 83

IntelliFlo®	84
Intelliflo® VSF	86
Intelliflo® VS+SVRS	89
Intelliflo® i1	91
Intelliflo® i2	93
Freeflo™ 50 Hz	95

Pantera	97
Pantera Evolution	100
Superflo®	101
Superflo® VS 50Hz	102
Supermax® VS2	103
Superflo® 60Hz	104
Whisperflo®	106
Whisperflo® VSF	109
Whisperflo® VSD	110
Whisperflo® 50 Hz	111
Whisperflo® 60 Hz	113
Whisperflo® XF 60 Hz	115
Blueflo®	117
Silentflo®	119
Max-E-Pro® XF	121
Max-E-Pro® 60 Hz	122
Max-E-Pro® XF 60 Hz	124
Challenger® 60 Hz High Flow	126
Challenger® 60 Hz High Pressure	128
Supermax® VS 50 Hz	130
Supermax® 60 Hz	131
Ultraflow Plus® 50 Hz	133
SW5PR™ VSD	135
5PXF™ VSF	136
5PXF™ 50 Hz	137
5P6R™/SW5P6R™ 50 Hz	139
5P2R™/S5P2R™ 50 Hz	141
Flotec	143
Spa Blower	145
PSP Series™ 50 Hz	146
XCP Series™ 50 Hz	148
EQ Series® 50 & 60 Hz	150
CSP/CCSP Series™ 60 Hz	152
C Series™ 60 Hz	156
Aurora® ISO	158
Aurora® 340 Series	160
Aurora® 340 Series And 410 Series	164
Berkeley® B Series	165
PS Series™ 60 Hz	166
Hair And Lint Strainer Packages	168
Commercial Accu Drive™ XS	169

## HEATERS & HEAT PUMPS ..... 173

Easyline Heat Pump	174
i-Forceline Max Invertor Heat Pump	175
i-Forceline Full Invertor Heat Pump	178
i-Forceline Neo Full Invertor Heat Pump	181
On/Off Commercial Heat Pump	183
Ultratemp Eti™ Hybrid Heater	188
Mastertemp®	190
Ultratemp®	192
i-Megaline Commercial Invertor Heat Pump	193
Commercial Megatherm® Heater	194

# WHOLE GOODS DIRECTORY

## LIGHTING ..... 199

IntelliBrite®- Architectural Pool & Spa.....	200
Amerlite® .....	205
IntelliBrite® E-Pool.....	206
Lacus Surface Mount .....	207
Intellibrite® E-Spa.....	208
Intellibrite® PAR56 .....	209
MicroBrite™.....	210
GloBrite®.....	211
IntelliBrite® Controller .....	212
ControlBrite™ Lights.....	213
Amerlite® .....	214
SpaBrite® .....	215
Aqualight® .....	216
Aqualumin® III Lights.....	217
Fountain Lights And Fixtures .....	218
Pentair Large Stainless Steel Niches.....	219
Pentair Small Stainless Steel Niches.....	220
Plastic Niches .....	221
Intellibrite®-E Niche .....	222
Intellibrite®-E Accessories .....	223
Light Accessories And Junction Boxes .....	224
Transformers.....	225
Underwater Speakers .....	226

## CLEANERS ..... 229

Prowler™ P10 and P20 .....	230
Bluerebel™ .....	232
Great White.....	232
Sandshark™.....	233
Kruiser™ .....	233
'Lil Shark™ .....	235
Bluestrom™.....	235

## WATER FEATURES ..... 237

MagicFlame® .....	238
MagicStream® Deck Jet I & Deck Jet II .....	241
MagicStream® Laminar .....	242
MagicFalls® .....	243
ColorVision® Led Light Bubbler .....	244

## CHEMICAL CONTROLLERS & SANITIZERS ..... 247

iChlor™ .....	248
SC-75™ .....	249
IntelliChlor® .....	250
Commercial IntelliChlor® .....	252
FreeFlo Chlorinator .....	253
Rainbow™ Automatic Chlorine/Bromine Feeders .....	254
Rainbow Lifeguard™ Automatic Chlorine/Bromine Sizing Chart .....	255
Pentair Solenoid Dosing System.....	256
Chemical Tanks and Mixers .....	257
IntelliChem®.....	258
Acu-Trol® .....	259
BioShield® Products.....	260

UV-C.....	266
Ozone .....	269

## WHITE GOODS ..... 275

MegaSkimmer.....	276
Admiral™ S15 And S20 .....	279
Bermuda™ .....	280
U-3™.....	281
Deckbox.....	282
Vacuum Fitting.....	283
Overflow Grating .....	283
Pool Basin Equipment .....	285
Starguard® Main Drains.....	286
Pool Specialty Fittings.....	288
Automatic Water Fillers .....	289

## MAINTENANCE & SAFETY ..... 291

Brushes and Scrubbers.....	292
Floats, Float Rope, and Safety Hook.....	293
Floating Chemical Dispensers .....	294
Hand Skimmers and Leaf Rakes .....	295
Telescopic Poles .....	296
Test Reagents and Test Kits .....	297
Rapid Test Strips and Digital Salt Tester .....	298
Vinyl and Flexible Liner Pool Vacuums .....	299
Provac® and Provac® II.....	300
Pool Vacuums .....	301

## LIFTS & DECK EQUIPMENT ..... 303

Aquatram™ Pool Access Lifts .....	305
Moveable and Portable .....	306
Lookout Family.....	307
Accessories .....	308
Vertical Ladders.....	309
Ladder Solutions.....	310
Rail Solutions.....	314
Grab Rails .....	315
Deck Mounted Rails.....	317
Stair Mounted Rails .....	318
Paragon™ Deck Equipment .....	319

## SPA ..... 323

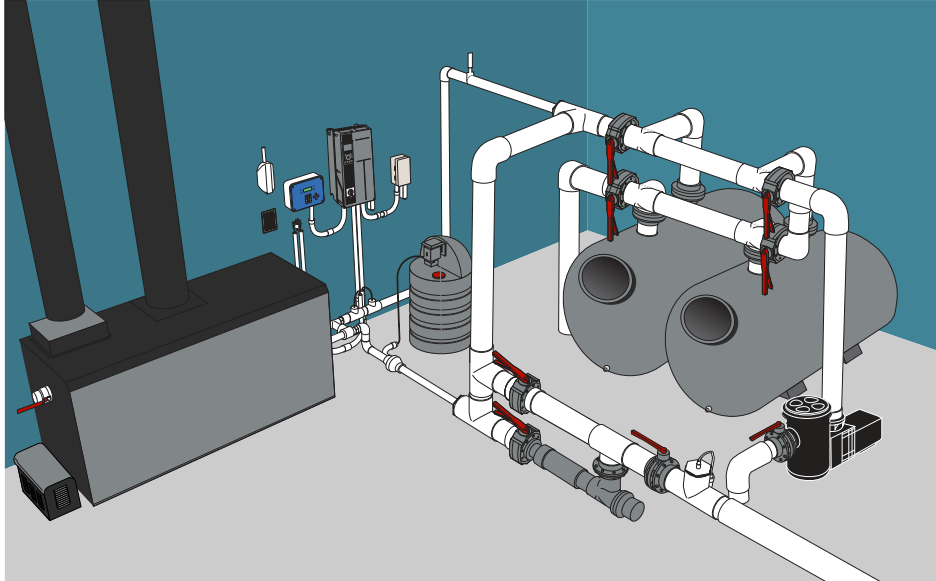
Jet Swim.....	325
Air Controls.....	325
Water Jets Medium .....	326

## OTHER ..... 331

Legend.....	332
Estimating Total Gallons in a Pool .....	333
Units of Measure .....	335
Conversion Reference Chart .....	336
Heater Sizing Information .....	337
Heater Gas Supply and Sizing Information .....	338
Blower Sizing .....	340
Friction Flow .....	341

# LARGE MECHANICAL ROOM

COMPLETE SYSTEM SOLUTIONS



**1. EQ SERIES® PUMPS**  
Now with TEFC motors provide high performance efficiency.



**2. THS SERIES® AND STARK® FILTERS**  
Provide maximum filtration in proven technology.



**3. COMMERCIAL INTELLICHEM**  
ScreenLogic for Commercial IntelliChem iOS app is available on Apple App Store



**4. ACU-TROL® AND INTELLICHEM® CHEMICAL CONTROLLERS**  
Provide proper chemical management.



**6. BIOSHIELD® UV SANITIZERS**  
Provide excellent secondary sanitizing system.



**6. FILTER MANIFOLD KITS**  
Feature clear automatic diaphragm or butterfly valves.



**7. INTELLIBRITE® ARCHITECTURAL SERIES POOL AND SPA LIGHTING**  
Creates energy savings and efficient lighting for large pools.



**8. POWERMAX® HEATERS**  
PowerMax heater provides peak efficiency in both indoor and outdoor applications to 2,000,000 BTU's.

# SMALL MECHANICAL ROOM

COMPLETE SYSTEM SOLUTIONS



**1. WHISPERFLOX® & INTELLIFLO® VS+SVRS PUMPS**  
Energy savings up to 90% versus traditional pumps.\*



**6. INTELLITOUCH® & EASYTOUCH® AUTOMATION SYSTEMS**  
Superior programming and control of vital pool systems and accessories.



**2. MASTERTEMP® & ETI® 400 HEATERS**  
Best in class up to 96% Efficient.



**7. SCREENLOGIC® INTERFACE**  
Monitor and control key elements of a pool or spa directly from a mobile digital device and/or computer.



**3. TRITON® C SERIES SAND FILTER**  
High efficiency and easy maintenance in high capacity applications.



**4. INTELLICHEM® CHEMICAL CONTROLLER & ACU-TROL® AK110™ TITLE 22 READY CHEMICAL AUTOMATION CONTROLLER**  
24-hour control of water chemistry.



**8. GLOBRITE® UNDERWATER LIGHTS**  
Color & White LED lights create vibrant pool or spa environments with high energy efficiency.



**5. BIOSHIELD® COMMERCIAL UV DISINFECTION SYSTEMS CLP & CVP SYSTEMS**  
Provide instant protection against Cryptosporidium, giardia, chloramines while saving chlorine usage.



**9. COMMERCIAL INTELLICHLOR® & RAINBOW™ HIGH CAPACITY FEEDERS**  
Secondary sanitizer systems available for commercial settings where additional sanitization methods are required.

\* Savings based on variable speed pump compared to a single-speed pump running 12 hours per day at an average of \$0.16 per kWh in a 20,000 gallon pool. Actual savings may vary based on local utility rates, pool size, pump run time, pump horsepower, pump rpm, plumbing size and length, pump model, service factor and other hydraulic factors. All systems equipped with automated Emergency Shutoff switch (ESO).





# AUTOMATION

---



# INTELLICENTRE™

CONTROL SYSTEM FOR POOLS AND SPAS



## FEATURED HIGHLIGHTS

- Easy to program, with step-by-step, on screen instructions
- Color touchscreen interface displays intuitive instructions in clear text and rich colors
- Convenient control from inside and outside the home via outdoor and indoor control panels and wireless remotes
- Remote control from anywhere: Android® and iOS® smartphones, Web browsers on Mac® and PC computers and voice command with smart speaker devices like Amazon Echo®

IntelliCenter is Pentair's highest-capacity and most service-friendly control system ever. Communication with this system can be done on a wide range of devices and platforms. Many important service, programming and monitoring tasks can be done without an on-location service call. Order popular bundled systems and receive everything in one box or build systems a la carte.

## ORDERING INFORMATION

Product	Country	Description	Includes IntelliChlor® Cell	Includes SCG Transformer	Includes two (2) IntelliValves
---------	---------	-------------	-----------------------------	--------------------------	--------------------------------

### Bundled Systems (Common Load And Personality Kit)

521903	USA	IntelliCenter System (Load Center with i8PS Personality Kit)	Yes, IC40	Yes	Yes
521904	USA	IntelliCenter System (Load Center with i8PS Personality Kit)	No	No	Yes
521905	USA	IntelliCenter System (Load Center with i5P Personality Kit)	Yes, IC40	Yes	No
521906	USA	IntelliCenter System (Load Center with i5PS Personality Kit)	Yes, IC40	Yes	Yes
521907	USA	IntelliCenter System (Load Center with i5PS Personality Kit)	No	No	Yes
521908	USA	IntelliCenter System (Load Center with i10PS Personality Kit)	Yes, IC40	Yes	Yes
523125	Canada	IntelliCenter System (Load Center with 5P-C/Personality Kit)	No	Yes	No
523126	Canada	IntelliCenter System with 5PS-C	No	Yes	Yes
523127	Canada	IntelliCenter System with 8PS-C	No	Yes	Yes

Note: Each system includes an outdoor wireless antenna. Pool/spa systems above include two IntelliValve® Valve Actuators.

Android® is a registered trademark of Google, Inc.  
 iOS® is a registered trademark of Cisco Technology in the United States and/or other countries  
 Mac® is a registered trademark of Apple, Inc. in the United States and/or other countries  
 Amazon Echo® is a registered trademark of Amazon Technologies, Inc. in the United States and/or other countries

# INTELLICENTRE™

CONTROL SYSTEM FOR POOLS AND SPAS

## AL A CARTE ORDERING

### STEP 1: PICK YOUR LOAD AND POWER CENTER

Product	Description	IntelliChlor Transformer
<b>Load And Power Centers</b>		
522041	Load Center (with Salt Chlorine Generator support)	Included
522042	Power Center (with Salt Chlorine Generator support)	Included
522043	Load Center (without Salt Chlorine Generator support)	Not Included
522044	Power Center (without Salt Chlorine Generator support)	Not Included

### STEP 2: PICK YOUR PERSONALITY KIT

Product	Description	Body of Water Style	Motherboard	Daughter Card	No. of Additional Relays**
<b>Intellicenter Personality Kits</b>					
521909	IntelliCenter Personality Kit i5P	Single	i5P	N/A	0
521910	IntelliCenter Personality Kit i8P	Single	i5P	i8P	3
521911	IntelliCenter Personality Kit i10P	Single	i5P	i10P	5
521912	IntelliCenter Personality Kit i5PS	Shared Equipment	i5P	i5PS	0
521913	IntelliCenter Personality Kit i8PS	Shared Equipment	i5P	i8PS	3
521914	IntelliCenter Personality Kit i10PS	Shared Equipment	i5P	i10PS	5
521915	IntelliCenter Personality Kit i10D	Dual Equipment	i5P	i10D	5
522033*	IntelliCenter i5X Expansion Kit	–	i5X	N/A	0
522034*	IntelliCenter i10X Expansion Kit	–	i5X	i10x	5

\*Expansion kits use an i5X motherboard. i5P motherboards cannot be used in expansion panels.

.Load center comes with five (5) 3 HP relays \*\*

### STEP 3: PICK YOUR ACCESSORIES

Product	Description	Notes
<b>Load And Power Centers</b>		
522035	IntelliCenter Indoor Control Panel, White Faceplate	
523058	IntelliCenter Indoor Control Panel, Tan Faceplate	
523059	IntelliCenter Indoor Control Panel, Black Faceplate	
522036	IntelliCenter Wireless Remote with Transceiver	
522038	IntelliCenter Valve Expansion Module	Adds six actuator ports to system (on main load center).
522039	Pool Cover Interface Expansion Board	Supports two covers.
522475Z	Wi-Fi Antenna (primary client bridge)	Included in the bundled systems above but must be ordered separately when building a system a la carte.

# INTELLICONNECT™

CONTROL AND MONITORING SYSTEM

TRADEGRADE



IntelliConnect Control and Monitoring System

## FEATURED HIGHLIGHTS

- Enables smart connections to any of these Pentair devices: IntelliFlo® or IntelliPro® Pumps, IntelliChlor® or iChlor® Sanitizers
- Allows for two relay connections to equipment like pool or landscape lights, pool cleaner booster pumps, or single-speed pumps including competitive models
- Provides real-time information on the status of the filtration systems and other pool equipment
- Easily sets up and schedules automatic operation of connected equipment

IntelliConnect allows pool owners to monitor and control various devices, including pumps, lights, sanitizers and more, all through an app on a smart device, for easy, convenient control. IntelliConnect provides real-time information on the status of the filtration system and other pool equipment. Pool owners can command the system to work a little harder when extra filtration is needed.

Product	Description
<b>Intelliconnect Control and Monitoring System</b>	
523317	IntelliConnect Control and Monitoring System



IntelliFlo Pump Speed



IntelliChlor Chlorine Output

Use your smart phone & digital device (iOS & Android Support) to access your pool from intelliconnect monitoring system.

# INTELLIVALVE®

## VALVE ACTUATOR



IntelliValve  
Valve Actuator

The revolutionary IntelliValve Valve Actuator lets you set just the right flow for water features. Its intuitive controls and LED position indicator lights make operation fast and push-button easy. Thirteen (13) bright LEDs provide a clear visual indication of the valve position from fully open to fully closed and everywhere in between. Simply use the left/right and Save buttons to set the perfect flow rate in just seconds.

### FEATURED HIGHLIGHTS

- Thirteen (13) LEDs give precise, easy-to-read indication of valve position
- Built-in interface allows quick and simple set-up of water flow
- Sleek, minimalist design is compact and fits easily within any equipment pad
- Sealed, maintenance-free design is weatherproofed for maximum reliability and extended service life
- Suitable for 1.5", 2", 2.5" and 3" valve sizes.
- 24-volt operation for use with standard automation systems
- 750 mA max amp draw
- Adjustable 3.75-degree increments within the maximum 180-degree swing

### ORDERING INFORMATION

Product	Description
<b>IntelliValve</b>	
521485	For any Pentair Automation System Compatible with control systems that use standard actuators

AUTOMATION

FILTERS

VALVES

PUMPS

HEATERS &  
HEAT PUMPS

LIGHTING

CLEANERS

WATER  
FEATURES

CHEMICAL  
CONTROLLERS  
& SANITIZERS

WHITE  
GOODS

MAINTENANCE  
& SAFETY

LIFTS & DECK  
EQUIPMENT

SPA

# COMMERCIAL INTELLICHEM®

## COMMERCIAL CHEMICAL CONTROLLER



### FEATURED HIGHLIGHTS

- Dual sanitizer support
- Programmable chemical feed cycle and mix times for precise water balance
- Assures safe water conditions by preventing excess chemical addition in a 24 hour period
- Built-in Langelier Saturation Index calculator lets you know when your water chemistry is perfectly in or out of balance
- Flow sensor ensures chemicals won't feed without system flow
- Password-protected access prevents tampering or accidental program change
- Use of ScreenLogic2® on PC and iOS offers the ability to keep track of pH and ORP levels and make adjustments locally or remotely
- Compatible with IntelliChlor® Salt Chlorine Generators, external dosing pumps, and CO<sub>2</sub> systems
- Comes with #2 tube rated at 10gpd (larger tube sizes can be unused)
- ScreenLogic for Commercial IntelliChem iOS app is available on Apple App Store

### ORDERING INFORMATION

Product	Description	Application
<b>Commercial IntelliChem Chemical Controller</b>		
522577	IntelliChem Commercial System 1 pump <sup>1,2</sup>	Dual sanitization support w/standalone ScreenLogic remote PC and iOS app connectivity. Pre-mounted and pre-wired on 2'x2' plastic backboard. Containers ordered separately. The 522577 Controller is ETL Listed to NSF 50 Standard
522578	IntelliChem Commercial System 2 pumps <sup>1,2</sup>	Dual sanitization support w/standalone ScreenLogic remote PC and iOS app connectivity. Pre-mounted and pre-wired on 2'x2' plastic backboard. Containers ordered separately. The 522578 Controller is ETL Listed to NSF 50 Standard
<b>IntelliChem Chemical Controller Accessories</b>		
751000610	Stenner 10GPD External Pump <sup>1,2</sup>	10GPD Stenner pump for feeding liquid acid or chlorine
522650	Stenner 10GPD Pump Tube 2 pk. <sup>1,2</sup>	10GPD Stenner pump tubes for every 6-month replacement
522651	Stenner 10GPD Pump Tube 5 pk. <sup>1,2</sup>	10GPD Stenner pump tube for every 6-month replacement

<sup>1</sup>Pentair always recommends 1:1 dilution when using full strength muriatic acid. When mixing, remember to always add acid to water.

<sup>2</sup>Pentair recommends replacing peristaltic pump tubes every 6 months. Note: Always try to position container off the equipment pad (if possible).

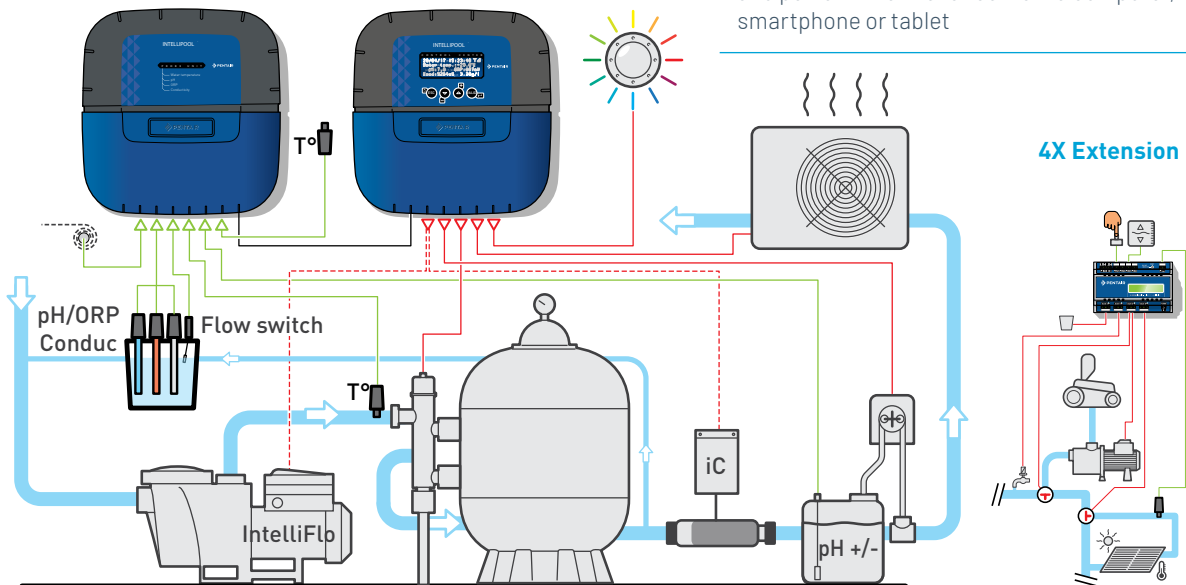
# INTELLIPOOL®



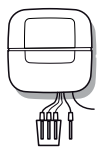
Model	Description
INTP - 1010	IntelliPool® : Complete & Connected Automation System for the intelli product suite

## FEATURED HIGHLIGHTS

- IntelliFlo VSD2 & VSF Advanced Control & Diagnostic
- Control salt chlorinator ( provided separately) by ORP regulation.
- IntelliChlor advanced control & diagnostic.
- Adjustment of pH set point and digital display of pH value locally and remotely.
- Adjustment of ORP set point and digital display of ORP value in mV locally and remotely.
- System connects wireless to the home internet router to provide remote monitoring and control anywhere, anytime from a computer, smartphone or tablet.
- You are informed in real time about the condition of your pool and equipments
- Pool Professionals can remotely monitor and perform maintenance from a computer, smartphone or tablet

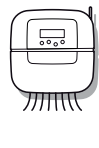


## INTELLIPOOL COMPONENTS



Probe Unit

2-wire communication cable  
pH Probe & Sol pH4/pH7  
RedOx Probe



Control Center

INTP-5210  
INTP-5220



Indoor Display

INTP-5160



Remote Control  
INTP-5161



Radio Relay  
INTP-5150



Internet Hub  
INTP-5164

Conductivity Probe INTP-5230 Water temperature sensor SB-PD-PRO-004B

## INTELLIPOOL ACCESSORIES



iChlor/SC-75  
H-52-0800P  
SC-75



IntelliChlor  
H-52-1208C (<55m³)  
H-52-0554C (<75m³)  
H-52-0555C (<105m³)



4X Extension  
INTP-1030



Remote control  
for 4X ext.  
INTP-5162



Peristaltic  
dosing pump  
INTP-DOS-1



Probe Holder Kit  
INTP-HOLD-1

# INTELLIPOOL®

POOL AUTOMATION



## INTELLIPOOL®

Full and smart automation system to manage all your "Intelli" equipment, while controlling your pH.

### PRODUCT SPECIFICATIONS

Part Number	Description
INTP-1010C	INTELLIPOOL® Automation System: Peristaltic dosing pump + pH Probe + RedOx Probe + Conductivity Probe + Water temp. sensor + Probe Holder



## INTELLIPOOL® Rx

Full and smart automation system with water treatment using liquid chlorine injection and pH and ORP control.

### PRODUCT SPECIFICATIONS

Part Number	Description
INTP-1010CRX	INTELLIPOOL® Rx Automation System: 2 Peristaltic dosing pumps + pH Probe + RedOx Probe + Conductivity Probe + Water temp. sensor + Probe Holder



## INTELLIPOOL® Salt

Full and smart automation system with electrolysis used for water treatment and pH and ORP control.

### PRODUCT SPECIFICATIONS

Part Number	Description	Model
INTP-1010CS13	INTELLIPOOL® Rx Automation System: 2 Peristaltic dosing pumps + pH Probe + RedOx Probe + Conductivity Probe + Water temp. sensor + Probe Holder	13 g/h
INTP-1010CS27	INTELLIPOOL® Salt 27 Automation System: Peristaltic dosing pumps + pH Probe + RedOx Probe + Conductivity Probe + Water temp. sensor + Probe Holder + Intellichlor IC40	27 g/h



# INTELLIPOOL®

POOL AUTOMATION



## FEATURED HIGHLIGHTS

- Adapts the filtration duration to the water temperature. Energy savings
- Anti-freeze protection (via activation of filtration)
- Display of the water temperature
- Disinfection via control of a salt chlorine generator or a dosing pump (accessories supplied separately)
- pH control via a dosing pump (supplied separately)
- System can be upgraded with SPEEDEO® to control variable speed pump, lighting and a heat pump

## FEATURES

Water treatment either by liquid chlor injection or by salt chlorination

Combination of reliable and well-known products

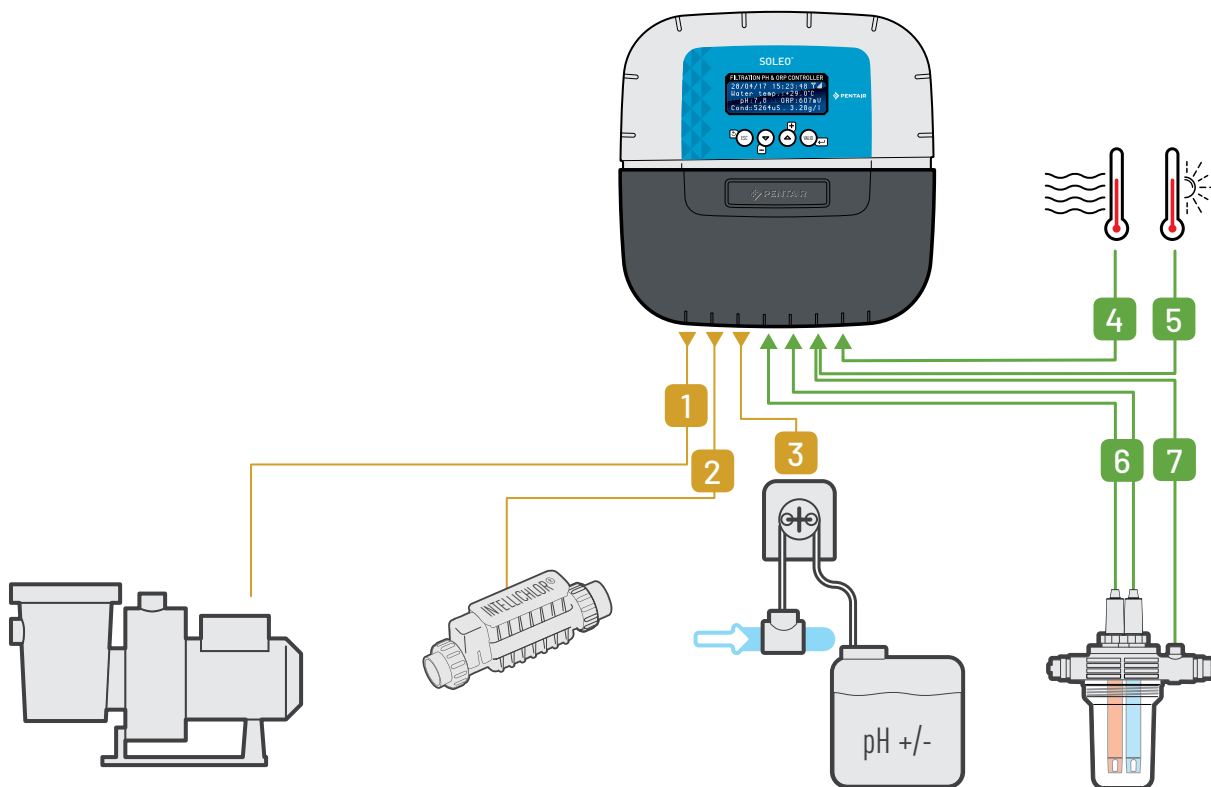
Can be associated with a Speedeo to evolve towards automation

## BENEFITS

Complete water treatment solutions

Reliable solutions

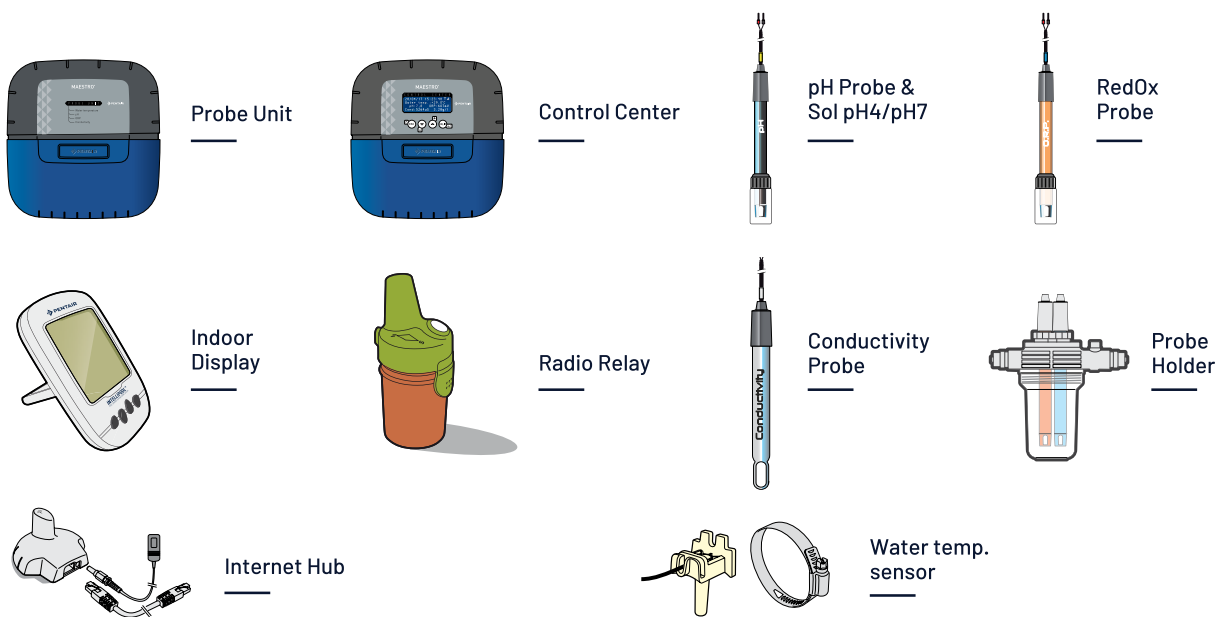
Scalable solutions to even more piece of mind



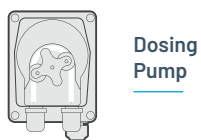
# INTELLIPOOL®

POOL AUTOMATION

## CONTENT INTELLIPOOL®



## ADDITIONAL CONTENT INTELLIPOOL®



## OPTIONS INTELLIPOOL®



# SOLEO

## WATER TREATMENT SOLUTIONS



### SOLEO pH

Intelligent pH controller that keeps the pool pH at an ideal level and adapts the pump filtration cycles.

#### PRODUCT SPECIFICATIONS

Part Number	Description
<b>SB-PF-SOL-003D</b>	Soleo® pH (Soleo, pH Probe, 1 Peristaltic dosing pumps, RedOx Probe, Water temp. sensor)



### SOLEO Rx

Full water treatment solution using liquid chlorine injection to manage filtration cycles.

#### PRODUCT SPECIFICATIONS

Part Number	Description
<b>SB-PF-SOL-003DRX</b>	Soleo® Rx (Soleo, pH Probe, 2 Peristaltic dosing pumps, RedOx Probe, Water temp. sensor)



### SOLEO Salt

A chlorinator with pH and ORP control to manage the filtration pump.

#### PRODUCT SPECIFICATIONS

Part Number	Description	Pool Size (m <sup>3</sup> )	Production (g/h)	Life hours (h)
<b>SB-PF-SOL-003DS13</b>	SOLEO® Salt 13 (Soleo, pH Probe, Peristaltic dosing pumps, RedOx Probe, Water temp. sensor, Intellichlor IC20)	75	13	10.000
<b>INTP-1010CS27</b>	SOLEO® Salt 27 (Soleo, pH Probe, Peristaltic dosing pumps, RedOx Probe, Water temp. sensor, Intellichlor IC40)	150	27	10.000

# SOLEO

## WATER TREATMENT SOLUTIONS



### FEATURED HIGHLIGHTS

- The 3 Soleo® VS solutions have the same characteristics as the Soleo® solutions but add extended automation functions such as :
- The control of the Pentair VS2, VSF and VSD2 or equivalent variable speed pumps
- The control of the heat pump
- The programming of backwash and control of automatic valves such as Pentair ProValve (provided separately).

The SOLEO® VS solutions for all your water treatment control needs.

### FEATURES

Water treatment either by liquid chlor injection or by salt chlorination

Combination of reliable and well-known products

Speedeo filtration heating and lighting control

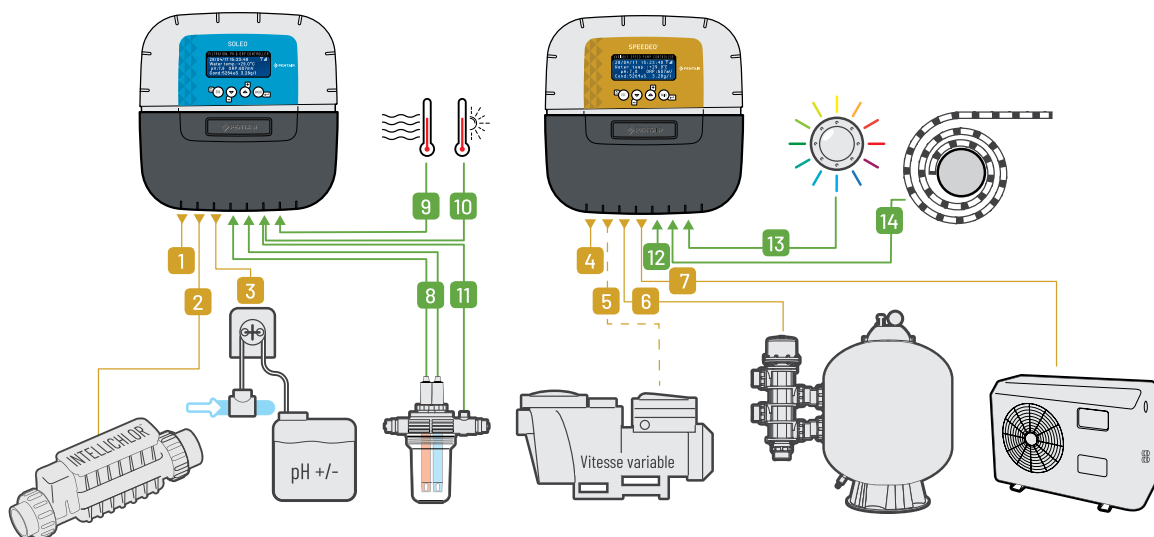
Total piece of mind thanks to automation

### BENEFITS

Complete water treatment solutions

Reliable solutions

Scalable solutions to even more piece of mind



# SOLEO VS

## WATER TREATMENT SOLUTIONS



### SOLEO VS pH

The intelligent pH regulator that can control all of your equipment.

#### PRODUCT SPECIFICATIONS

Part Number	Description
<b>SB-PF-ENS-005D</b>	Soleo® pH (Soleo, pH Probe, 1 Peristaltic dosing pumps, RedOx Probe, Water temp. sensor)



### SOLEO VS Rx

Complete pH/ORP regulation for liquid chlorine disinfection and control of your equipment.

#### PRODUCT SPECIFICATIONS

Part Number	Description
<b>SB-PF-ENS-005DRX</b>	Soleo® Rx (Soleo, pH Probe, 2 Peristaltic dosing pumps, RedOx Probe, Water temp. sensor)



### SOLEO Salt

A chlorinator with pH and ORP control to manage the filtration pump.

#### PRODUCT SPECIFICATIONS

Part Number	Description	Pool Size (m <sup>3</sup> )	Production (g/h)	Life hours (h)
<b>SB-PF-ENS-005DS13</b>	SOLEO VS Salt 13 (Soleo, pH Probe, Peristaltic dosing pumps, RedOx Probe, Water temp. sensor, Intellichlor IC20)	75	13	10.000
<b>SB-PF-ENS-005DS27</b>	SOLEO VS Salt 27 (Soleo, pH Probe, Peristaltic dosing pumps, RedOx Probe, Water temp. sensor, Intellichlor IC40)	150	27	10.000

# SOLEO CHLORE®

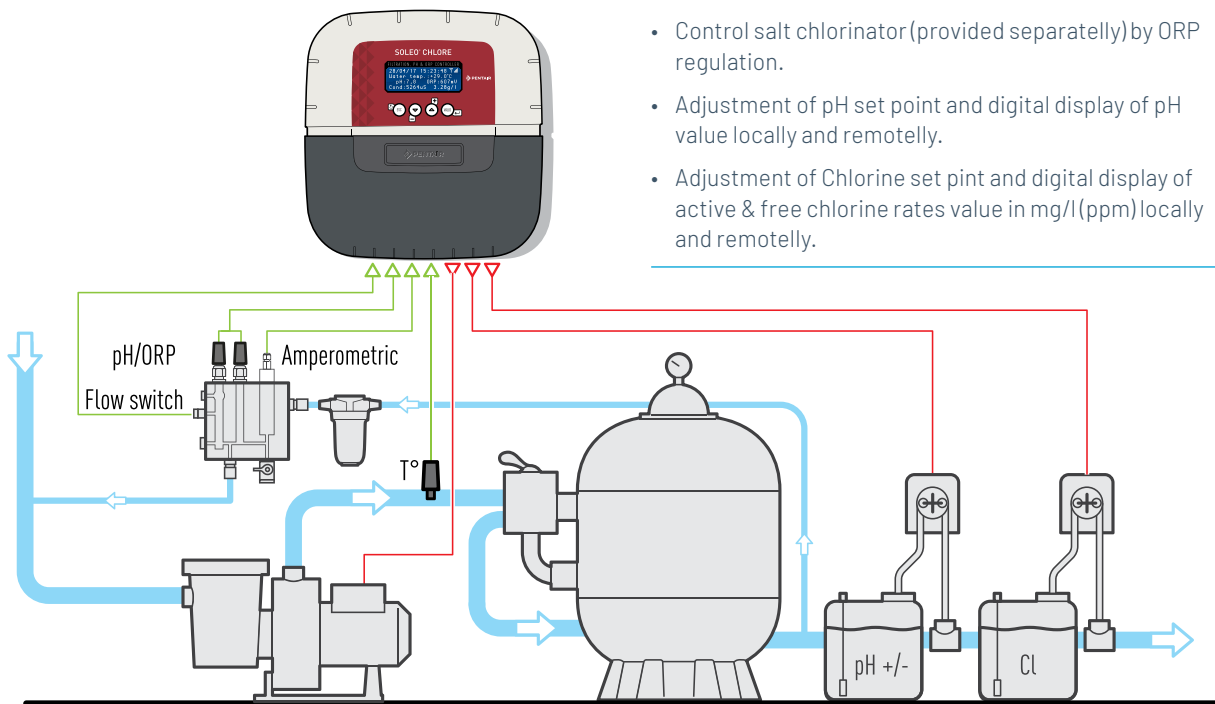


Model	Description
SB-PF-SOL-004B	Soleo® Chlore: Water Quality Controller with amperometric regulation
	* Sensor not included



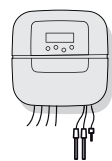
## FEATURED HIGHLIGHTS

- Filtration control
- Adapts filtration duration to water temperature and pool cover position.
- System can be upgraded to variable speed pump control
- Control salt chlorinator (provided separately) by ORP regulation.
- Adjustment of pH set point and digital display of pH value locally and remotely.
- Adjustment of Chlorine set pint and digital display of active & free chlorine rates value in mg/l (ppm) locally and remotely.



## SOLEO CHLORE COMPONENTS

## SOLEO CHLORE ACCESSORIES



**Soleo**  
Water temperature sensor  
SB-PD-PRO-004B



**Peristaltic dosing pump**  
INTP-DOS-1



**Speedeo**  
SB-PF-SPO-003B



# MAESTRO®

## AUTOMATION SYSTEM



### FEATURED HIGHLIGHTS

- Control salt chlorinator or dosing pump (provided separately) by ORP regulation and digital display of ORP value locally and remotely
- Adjustment of pH set point and digital display of pH value locally and remotely
- System connects wireless to the home internet router to provide remote monitoring and control anywhere, anytime from a computer, smartphone or tablet (not included)
- Pool Professionals can remotely monitor and perform maintenance from a computer, smartphone or tablet
- Real-time information on the status of your swimming pool and your equipment

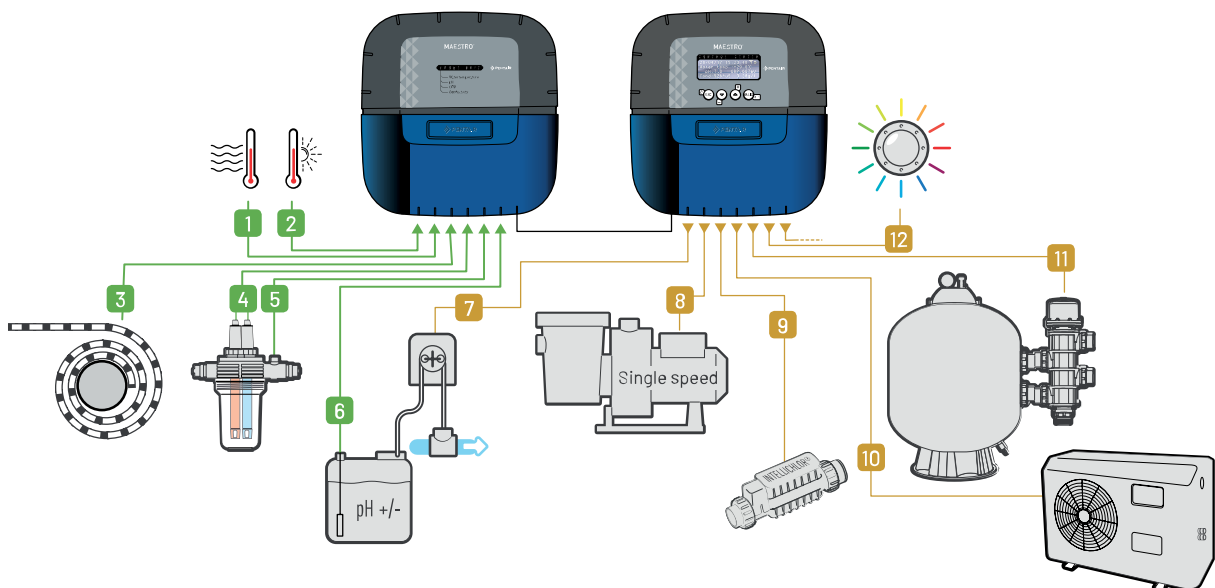
### Full and smart automation system with remote access

#### FEATURES

- Control all pool equipment locally or remotely
- Solutions made from proven and durable products
- Three full systems adapted to water treatment technology

#### BENEFITS

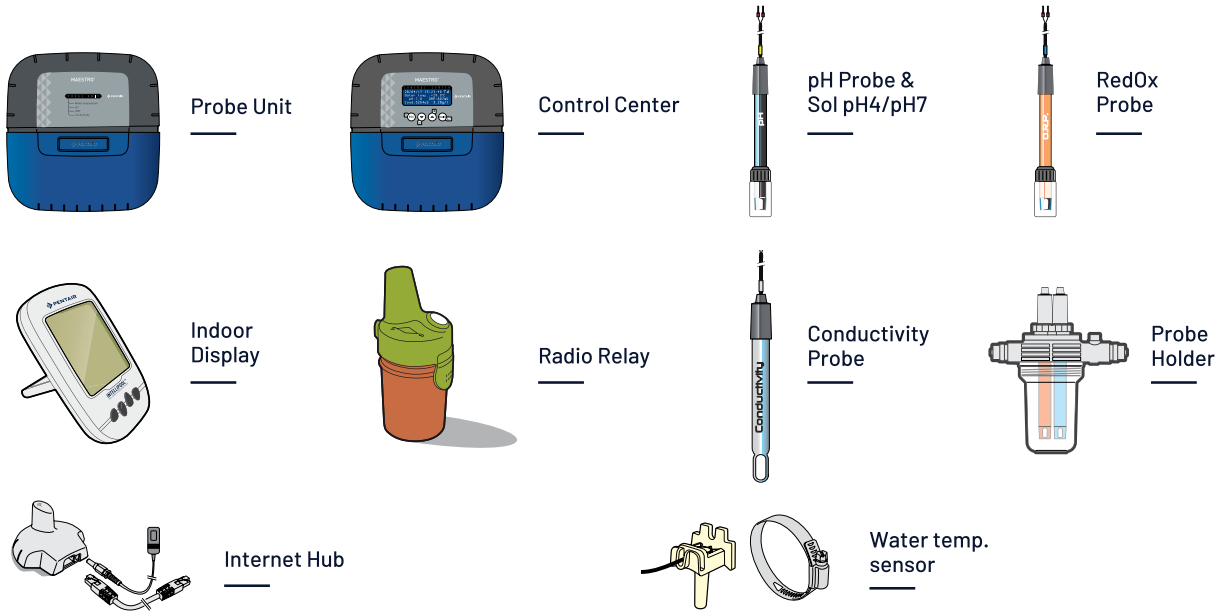
- Full automation solution
- Reliable solutions
- Several systems available to meet automation and water treatment requirements



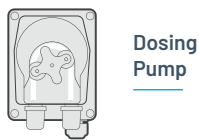
# MAESTRO®

AUTOMATION SYSTEM

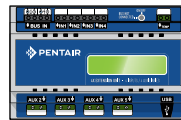
## CONTENT MAESTRO®



## ADDITIONAL CONTENT MAESTRO® Rx



## OPTIONS MAESTRO®



## ADDITIONAL CONTENT MAESTRO® Salt









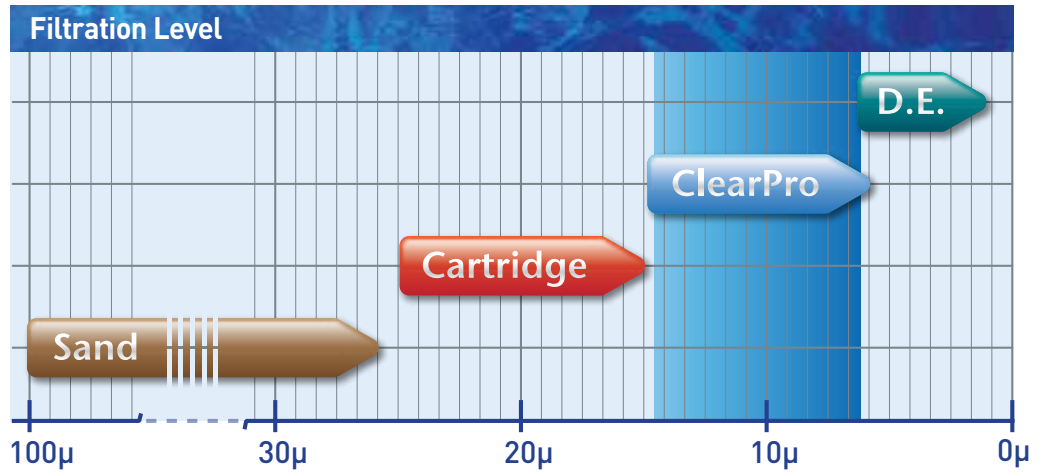
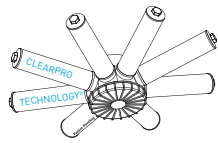


# FILTERS



# CLEARPRO TECHNOLOGY®

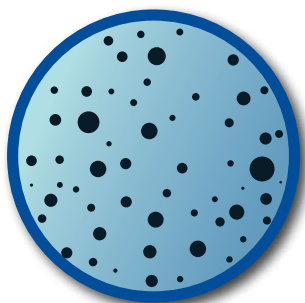
FOR HIGH RATE SAND FILTERS



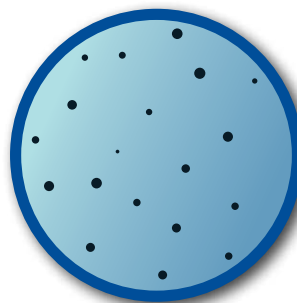
100X microscopic water quality simulation

## FEATURED HIGHLIGHTS

- ClearPro® is a patented technology by Pentair to reach a very fine level of filtration somewhat 4 times better than with a conventional sand filter (about 10µ vs 40µ).
- This purity is achieved thanks to new porous laterals.
- The laterals act like additional filters creating an extra barrier against the finest particles.
- As a result, the water is crystal quality.
- ClearPro approaches DE filter clarity with sand filter functionality.



Conventional sandfilters



Filter with CLEARPRO TECHNOLOGY

## PRODUCTS AVAILABLE WITH CLEARPRO TECHNOLOGY®



**TRITON® II**  
With ClearPro Technology



**TAGELUS® II**  
With ClearPro Technology



**CRISTAL-FLOTM SM/TM**  
With ClearPro Technology



**TAGELUS® (US Version)**  
with ClearPro Technology®

# TRITON® II WITH CLEARPRO TECHNOLOGY®

FIBERGLASS SIDE MOUNT SAND FILTERS WITH VALVES



## FEATURED HIGHLIGHTS

- One-piece, fiberglass reinforced tank with UV resistant coating.
- Easy-to-read top mounted pressure gauge with manual air relief.
- A 360° diffuser to keep the sand bed flat for optimum filtration, has a "swing-away" design for instant access to sand.
- Easy-to-use water drain for simplified service and winterizing.
- All filter fittings are threaded for easy servicing.
- **With ClearPro Technology® for crystal clear quality water.**

## ORDERING INFORMATION

Model	Filter (mm) Ø	Recommended flow rate (m³/h)	Filter Area (m²)	Flange connection	Sand 0.4 - 0.8 mm (kg)	Gravel 3 - 5 mm (kg)	Clearance distance (mm)	Maximum working pressure (bar)	Valve <sup>1</sup> / Ref.
-------	---------------	------------------------------	------------------	-------------------	------------------------	----------------------	-------------------------	--------------------------------	---------------------------

### Triton® II with ClearPro Technology®

F-19S8-TRCP	480	8,5	0,17	1 1/2"	80	/	825	3,5	6-way / RE261070ND
F-24S8-TRCP	610	14	0,29	1 1/2"	150	/	955	3,5	6-way / RE261070ND
F-30S8-TRCP	762	22	0,45	2"	275	/	1095	3,5	6-way / RE261071ND
F-36S8-TRCP	914	32	0,64	2"	420	/	1200	3,5	6-way / RE261071ND

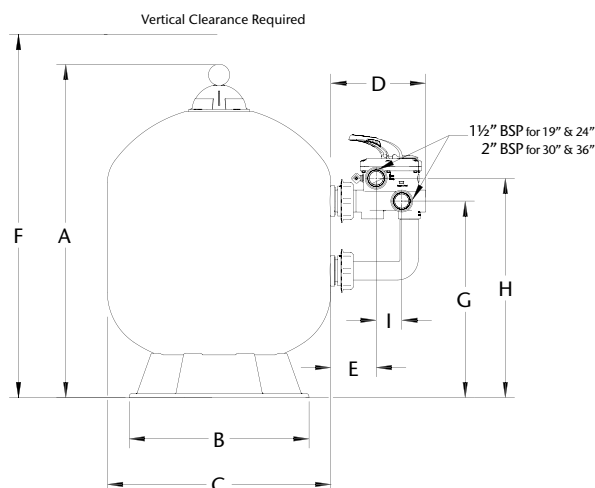
<sup>1</sup> Valve included

Model	Length (cm)	Width (cm)	Height (cm)	Gross Weight (kg)	Pcs by pallet	Length pallet (cm)	Width pallet (cm)	Height pallet (cm)
-------	-------------	------------	-------------	-------------------	---------------	--------------------	-------------------	--------------------

### Triton® II with ClearPro Technology®

F-19S8-TRCP	49	49	88	13,4	8	98	98	189
F-24S8-TRCP	63	63	102	18,4	8	126	126	218
F-30S8-TRCP	78	78	120	29,8	4	156	156	134
F-36S8-TRCP	94	94	106	35,5	2	95	95	220

## DIMENSIONS



	F-19S8-TRCP	F-24S8-TRCP	F-30S8-TRCP	F-36S8-TRCP
<b>A</b>	825	955	1095	1200
<b>B</b>	400	400	610	610
<b>C</b>	480	610	762	914
<b>D</b>	252	252	302	302
<b>E</b>	120	120	160	160
<b>F</b>	876	1006	1146	1251
<b>G</b>	463	530	590	657
<b>H</b>	524	592	671	738
<b>I</b>	70	70	70	70

# TRITON®

## FIBERGLASS SIDE MOUNT SAND FILTERS WITH VALVE



### FEATURED HIGHLIGHTS

- One-piece, fiberglass reinforced tank with UV resistant coating.
- Easy-to-read top mounted pressure gauge with manual air relief.
- A 360° diffuser to keep the sand bed flat for optimum filtration, has a "swing-away" design for instant access to sand.
- Easy-to-use water drain for simplified service and winterizing.
- All filter fittings are threaded for easy servicing.

### ORDERING INFORMATION

Model	Filter (mm) Ø	Recommended flow rate (m3/h)	Filter Area (m2)	Flange connection	Sand 0.4 - 0.8 mm (kg)	Gravel 3 - 5 mm (kg)	Clearance distance (mm)	Maximum working pressure (bar)	Valve <sup>1</sup> / Ref.
-------	---------------	------------------------------	------------------	-------------------	------------------------	----------------------	-------------------------	--------------------------------	---------------------------

#### Triton®

F-19S8-TRV	480	8,5	0,17	1 1/2"	52	20	825	3,5	6-way / RE261070ND
F-24S8-TRV	610	14	0,29	1 1/2"	108	40	955	3,5	6-way / RE261070ND
F-30S8-TRV	762	22	0,45	2"	200	80	1095	3,5	6-way / RE261071ND
F-36S8-TRV	914	32	0,64	2"	310	120	1200	3,5	6-way / RE261071ND

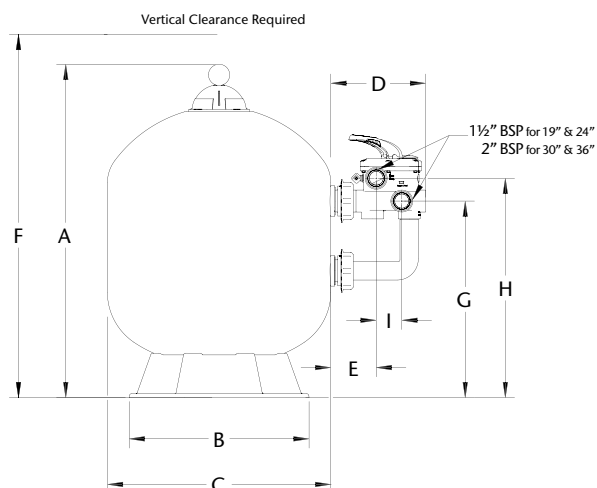
<sup>1</sup>Valve included

Model	Length (cm)	Width (cm)	Height (cm)	Gross Weight (kg)	Pcs by pallet	Length pallet (cm)	Width pallet (cm)	Height pallet (cm)
-------	-------------	------------	-------------	-------------------	---------------	--------------------	-------------------	--------------------

#### Triton®

F-19S8-TRV	49	49	88	13,4	8	98	98	189
F-24S8-TRV	63	63	102	18,4	8	126	126	218
F-30S8-TRV	78	78	120	29,8	4	156	156	134
F-36S8-TRV	94	94	106	35,5	2	95	95	220

### DIMENSIONS



	F-19S8-TRV	F-24S8-TRV	F-30S8-TRV	F-36S8-TRV
<b>A</b>	825	955	1095	1200
<b>B</b>	400	400	610	610
<b>C</b>	480	610	762	914
<b>D</b>	252	252	302	302
<b>E</b>	120	120	160	160
<b>F</b>	876	1006	1146	1251
<b>G</b>	463	530	590	657
<b>H</b>	524	592	671	738
<b>I</b>	70	70	70	70

# SR FILTER™

FIBERGLASS SIDE MOUNT SAND FILTERS WITH VALVE



## FEATURED HIGHLIGHTS

- One-piece, fiberglass reinforced tank with UV resistant coating.
- Easy-to-read top mounted pressure gauge with manual air relief.
- A 360° diffuser to keep the sand bed flat for optimum filtration, has a "swing-away" design for instant access to sand.
- Easy-to-use water drain for simplified service and winterizing.
- All filter fittings are threaded for easy servicing.

## ORDERING INFORMATION

Model	Filter (mm) Ø	Recommended flow rate (m3/h)	Filter Area (m2)	Flange connection	Sand 0.4 - 0.8 mm (kg)	Gravel 3 - 5 mm (kg)	Clearance distance (mm)	Maximum working pressure (bar)	Valve <sup>1</sup> / Ref.
-------	---------------	------------------------------	------------------	-------------------	------------------------	----------------------	-------------------------	--------------------------------	---------------------------

### SR Filters

SR-480	480	8,5	0,17	1 1/2"	52	20	825	3,5	6-way / RE261070ND
SR-600	610	14	0,29	1 1/2"	108	40	955	3,5	6-way / RE261070ND
SR-760	762	22	0,45	2"	200	80	1095	3,5	6-way / RE261071ND
SR-910	914	32	0,64	2"	310	120	1200	3,5	6-way / RE261071ND

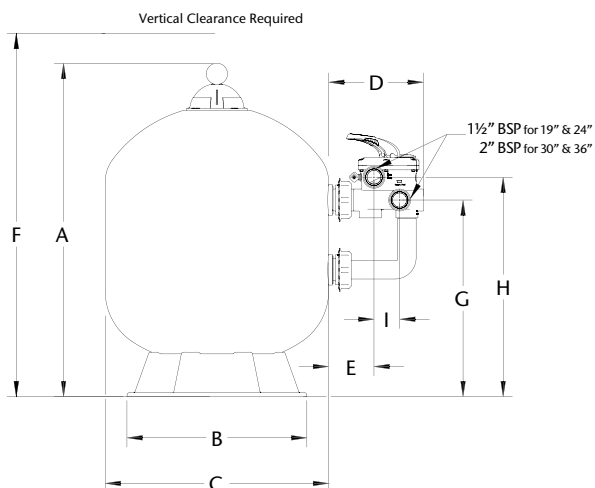
<sup>1</sup> Valve included

Model	Length (cm)	Width (cm)	Height (cm)	Gross Weight (kg)	Pcs by pallet	Length pallet (cm)	Width pallet (cm)	Height pallet (cm)
-------	-------------	------------	-------------	-------------------	---------------	--------------------	-------------------	--------------------

### SR Filters

SR-480	49	49	88	13,4	8	98	98	189
SR-600	63	63	102	18,4	8	126	126	218
SR-760	78	78	120	29,8	4	156	156	134
SR-910	94	94	106	35,5	2	95	95	220

## DIMENSIONS



	SR-480	SR-600	SR-760	SR-910
<b>A</b>	825	955	1095	1200
<b>B</b>	400	400	610	610
<b>C</b>	480	610	762	914
<b>D</b>	252	252	302	302
<b>E</b>	120	120	160	160
<b>F</b>	876	1006	1146	1251
<b>G</b>	463	530	590	657
<b>H</b>	524	592	671	738
<b>I</b>	70	70	70	70

# TRITON® NEO - SM

SIDE MOUNT SAND FILTERS WITH VALVE

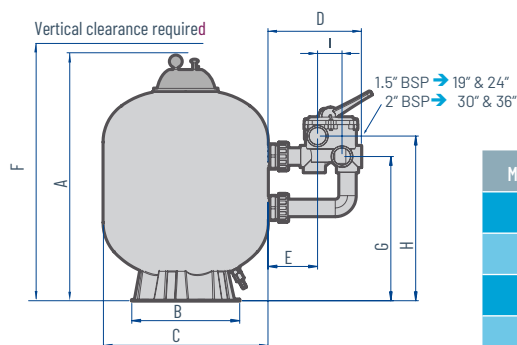


## FEATURED HIGHLIGHTS

- Pre-assembled ABS 6-way valve
- New dome with independent connection for manometer and air bleed
- New full plastic anti-corrosion air bleed with extra air-tube to keep shell clean
- Re-inforced inner pipes & adaptor rings
- Available with ClearPro Technology® and Provalve

## ORDERING INFORMATION

Model Number		Diameter Ø	Filter Area	Flow Rate	Max. Pressure	Valve Connection	Sand	Gravel	Clearance Distance	Valve
Standard	ClearPro	(mm)	(m <sup>2</sup> )	(m <sup>3</sup> /h)	(bars)		(kg) 0.4-0.8 mm	(kg) 3-5 mm	(mm)	
F-19S8-NEO	F-19S8-NEOCP	480	0.17	8.5	2.5	1.5"	50	25	825	6 Way
F-24S8-NEO	F-24S8-NEOCP	610	0.29	14	2.5	1.5"	100	50	955	6 Way
F-30S8-NEO	F-30S8-NEOCP	762	0.45	22	2.5	2.0"	200	75	1095	6 Way
F-36S8-NEO	F-36S8-NEOCP	914	0.64	32	2.5	2.0"	300	100	1200	6 Way



## DIMENSIONS

Model Number	A (mm)	B (mm)	C (mm)	D (mm)	E (mm)	F (mm)	G (mm)	H (mm)	I (mm)
F-19S8-NEO	785	400	Ø480	252	120	876	463	524	70
F-24S8-NEO	915	400	Ø610	252	120	1006	530	592	70
F-30S8-NEO	1055	610	Ø762	302	160	1146	590	671	70
F-36S8-NEO	1160	610	Ø914	302	160	1448	657	738	70

## PACKAGING

Model Number		Box				Pallet			
Standard	ClearPro	Length (mm)	Width (mm)	Height (mm)	Poids (Kg)	Length (mm)	Width (mm)	Height (mm)	Pce/Pallet
F-19S8-NEO	F-19S8-NEOCP	49	49	88	11	98	98	189	8
F-24S8-NEO	F-24S8-NEOCP	63	63	102	16.3	126	126	218	8
F-30S8-NEO	F-30S8-NEOCP	78	78	120	28.3	156	80	134	2
F-36S8-NEO	F-36S8-NEOCP	94	94	106	35.5	95	95	220	2



# TRITON® NEO - TM

SIDE MOUNT SAND FILTERS WITH VALVE

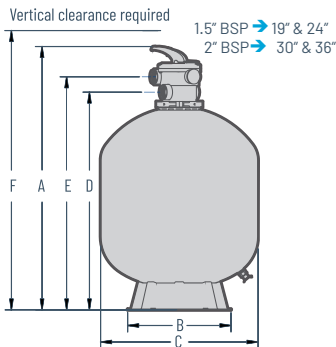


## FEATURED HIGHLIGHTS

- 6way Top Mount Valve with Sight Glass, pressure gauge
- Max working pressure: 3.5 bars.
- New metallic blue colour with shiny gloss, UV resistant.
- Reinforced inner packaging.

## ORDERING INFORMATION

Model Number		Diameter Ø	Filter Area	Flow Rate	Max. Pressure	Valve Connection	Sand	Gravel	Clearance Distance	Valve
Standard	ClearPro	(mm)	(m <sup>2</sup> )	(m <sup>3</sup> /h)	(bars)		(kg) 0.4-0.8 mm	(kg) 3-5 mm	(mm)	
F-19T6-NEO	F-19T6-NEOCP	480	0.17	8.5	3.5	1.5"	50	25	985	6 Way
F-24T6-NEO	F-24T6-NEOCP	610	0.29	14	3.5	1.5"	100	50	1115	6 Way
F-30T6-NEO	F-30T6-NEOCP	762	0.45	22	3.5	2.0"	200	75	1286	6 Way



## DIMENSIONS

Model Number	A (mm)	B (mm)	C (mm)	D (mm)	E (mm)	F (mm)
F-19T6-NEO	878	400	Ø480	715	774	1194
F-24T6-NEO	1009	400	Ø610	847	904	1448
F-30T6-NEO	1170	610	Ø762	1026	1108	1664

## PACKAGING

Model Number		Box				Pallet			
Standard	ClearPro	Length (mm)	Width (mm)	Height (mm)	Poids (Kg)	Length (mm)	Width (mm)	Height (mm)	Pce/Pallet
F-19T6-NEO	F-19T6-NEOCP	49	49	88	11	98	98	189	8
F-24T6-NEO	F-24T6-NEOCP	63	63	102	16.3	126	126	218	8
F-30T6-NEO	F-30T6-NEOCP	78	78	120	28.3	156	80	134	2

# TRITON® II

## FIBERGLASS SIDE MOUNT SAND FILTERS WITHOUT VALVE



### FEATURED HIGHLIGHTS

- Heavy-duty closure provides easy inspection, and features an easy-to-read pressure gauge with air relief valve.
- Swing-away diffuser allows instant access to sand and all internal parts.
- All internal parts are threaded for ease of service.
- Internal air bleed.
- Bulkhead connectors are threaded for easy installation and service.
- Combination sand and water drain makes servicing and winterizing fast and easy.
- Maximum Operating Pressure 50 psi.

The original and still the industry standard. Our unique process creates a one-piece, fiberglass reinforced tank with UV resistant surface finish for years of unequalled strength and durability. This unique method locks in fiberglass, preventing fibers from "blooming" under harsh conditions.

### ORDERING INFORMATION

Product	Model	Effective Filtration Area (Sq. Ft.)	Flow Rate (GPM)	Flow Rate (GPM Comm)	Turnover Capacity (In Gallons)			Filter Media		All Sand Req'd (Lbs.)	Carton Qty.	Carton Wt. (Lbs.)
					8 Hour	10 Hour	12 Hour	Pea Gravel Req'd (Lbs.)	Sand Req'd (Lbs.)			

#### Triton® II Sand Filters

140236	TR 40	1.92	38	38	18,240	22,800	27,360	50	125	175	1	25
140249	TR 50	2.46	49	49	23,520	29,400	35,280	50	175	225	1	34
140264	TR 60	3.14	63	63	30,240	37,800	45,360	75	250	325	1	40
140210	TR 100	4.91	98	74	47,040	58,800	70,560	150	450	600	1	65
140243	TR 140	7.06	141	106	67,680	84,600	101,520	275	650	925	1	75

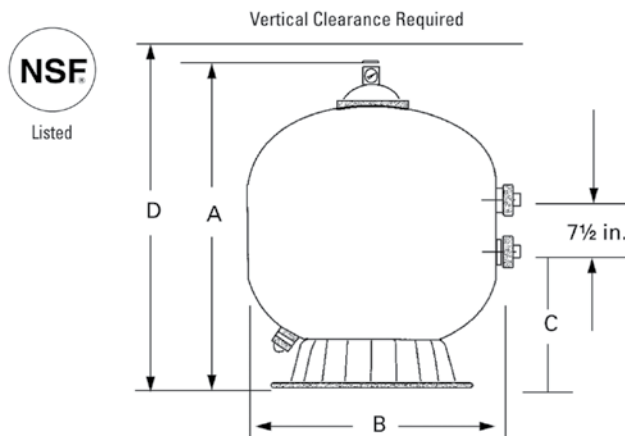
#### Triton® II Valve Options<sup>1</sup>

261173	1-1/2 in. MPV, for sand filters (SM 10-3)										1	6
261055	2 in. MPV, for sand filters (SM 20-3)										1	10

<sup>1</sup> Valves must be purchased separately.

Note : Operating Limits - maximum continual operating pressure of 50 PSI.  
Maximum operating water temperature (internal filter) 104°F (40°C).

### DIMENSIONS



Model	A	B	C	D
TR 40	30-1/2 in.	19-1/2 in.	10-3/4 in.	32-1/2 in.
TR 50	34-3/4 in.	21-1/2 in.	11-7/8 in.	36-3/4 in.
TR 60	35-1/2 in.	24-1/2 in.	13-5/8 in.	37-1/2 in.
TR 100	39-3/4 in.	30-1/2 in.	16-1/4 in.	41-3/4 in.
TR 140	45-1/4 in.	36-1/2 in.	18-3/4 in.	47-1/4 in.

# TAGELUS®

FIBERGLASS TOP MOUNT SAND FILTERS  
WITH CLAMP STYLE MULTIPORT VALVE



## FEATURED HIGHLIGHTS

- Seamless composite construction eliminates possibilities of leaks. Cannot rust or corrode.
- Valve with an incorporated 360° diffuser to keep the sand bed flat.
- Easy-to-use water drain for simplified service and winterizing.
- Top-mounted six-position multi-port valve with sight glass, built-in pressure gauge, manual air relief valve, flange connections and clamp ring to make inspection and routine maintenance fast, safe and easy.
- Filter laterals have a bayonet connection for easy servicing.

## ORDERING INFORMATION

Model	Filter (mm) Ø	Recommended flow rate (m3/h)	Filter Area (m2)	Flange connection	Sand 0.4 - 0.8 mm (kg)	Gravel 3 - 5 mm (kg)	Clearance distance (mm)	Maximum working pressure (bar)	Valve <sup>1</sup> / Ref.
-------	---------------	------------------------------	------------------	-------------------	------------------------	----------------------	-------------------------	--------------------------------	---------------------------

### Tagelus®

<b>F-19T6-TAG</b>	480	8,5	0,17	1 1/2"	80	/	985	3,5	6-way / RE272026ND
<b>F-24T6-TAG</b>	610	14	0,29	1 1/2"	150	/	1115	3,5	6-way / RE272026ND
<b>F-30T8-TAG</b>	762	22	0,45	2"	275	/	1286	3,5	6-way / RE272029ND

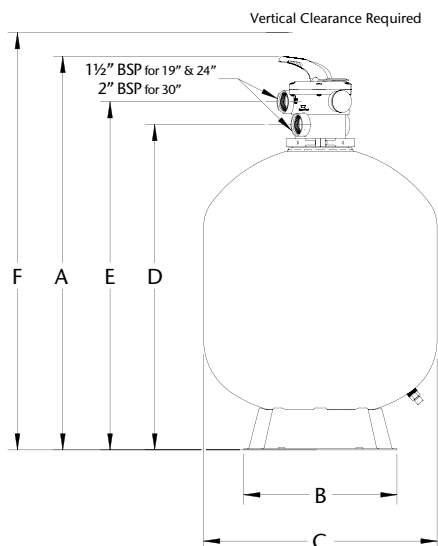
<sup>1</sup>Valve included

Model	Length (cm)	Width (cm)	Height (cm)	Gross Weight (kg)	Pcs by pallet	Length pallet (cm)	Width pallet (cm)	Height pallet (cm)
-------	-------------	------------	-------------	-------------------	---------------	--------------------	-------------------	--------------------

### Tagelus®

<b>F-19T6-TAG</b>	49	49	88	11,0	8	98	98	189
<b>F-24T6-TAG</b>	63	63	102	16,3	8	126	126	218
<b>F-30T8-TAG</b>	78	78	120	28,3	4	156	156	134

## DIMENSIONS



	F-19T6-TAG	F-24T6-TAG	F-30T8-TAG
<b>A</b>	878	1009	1170
<b>B</b>	400	400	610
<b>C</b>	480	610	762
<b>D</b>	715	847	1026
<b>E</b>	774	904	1108
<b>F</b>	1194	1448	1664

# TAGELUS®

## FIBERGLASS TOP MOUNT SAND FILTERS WITH CLAMP STYLE MULTIPORT VALVE



### FEATURED HIGHLIGHTS

- Special lateral design provides superior flow characteristics and long filter cycles for economical operation.
- Maximum Operating Pressure 50 psi.
- Combination water and sand drain makes servicing and winterizing fast and easy.
- 40, 50, and 60D models standard with plastic clamp.

Our unique process creates a one-piece, fiberglass reinforced tank with superior strength and durability. Tagelus® filters are equipped with six-position, clamp style, top-mounted multiport valve<sup>1</sup>.

### ORDERING INFORMATION

Product	Model	Effective Filtration Area (Sq. Ft.)	Flow Rate (GPM)	Turnover Capacity (In Gallons)			All Sand Required (Lbs.)	Carton Qty.	Carton Wt. (Lbs.)
				8 Hour	10 Hour	12 Hour			

#### Tagelus®

144126	TA 40D	1.8	40	19,200	24,000	28,800	175	1	30
144127	TA 50D	2.3	50	24,000	30,000	36,000	225	1	35
145241	TA 60D	3.1	60	28,800	36,000	43,200	325	1	38
145240	TA 100D	4.9	100	48,000	60,000	72,000	600	1	78

Note: Operating Limits - maximum continual Operating pressure of 50 PSI.  
Maximum operating water temperature (internal filter) 104°F (40°C).

Product	Description	Carton Qty.	Carton Wt. (Lbs.)
---------	-------------	-------------	-------------------

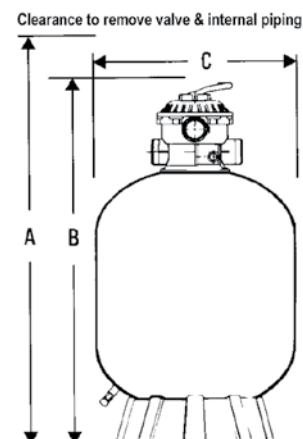
#### Valve Options

261124	1-1/2 in. TA Valve, "V" thread (TM 12-A), 6 in. Neck Size <sup>1</sup>	1	7
262504	1-1/2 in. TA Valve, Buttruss thread (TM 12-B), 6 in. Neck Size <sup>2</sup>	1	7
262505	1-1/2 in. TA to TA D Conversion Kit w/ valve, , 6 in. Neck Size <sup>1</sup>	1	9
261185	2 in. TA D (TA 100D only), clamp, 8 in. Neck Size	1	7

<sup>1</sup>For filters manufactured before 12-1-91.

<sup>2</sup>For filters manufactured after 12-1-91.

### DIMENSIONS



	TA 40D	TA 50D	TA 60D	TA 100D
A	47 in.	51-1/2 in.	57 in.	65-1/2 in
B	37 in.	39-1/2 in.	42-1/2 in	47-1/2 in
C	19-1/2 in.	21-1/2 in.	24-1/2 in	30-1/2 in

# CRISTAL-FLO™ SM

EXTRA-THICK THERMOPLASTIC SIDE MOUNT SAND FILTERS



## FEATURED HIGHLIGHTS

- The tank is corrosion resistant, one-piece and extra-thick molded thermoplastic ensuring long service life.
- Larger drain port with hand tight threaded cap for easier cleaning and seasonal maintenance.
- Stainless steel one piece clamp connection.

## ORDERING INFORMATION

Model	Filter (mm) Ø	Recommended flow rate (m <sup>3</sup> /h)	Filter Area (m <sup>2</sup> )	Flange connection	Sand 0.4 - 0.8 mm (kg)	Clearance distance (mm)	Maximum working pressure (bar)	Valve <sup>1</sup> / Ref.
-------	---------------	---	-------------------------------	-------------------	------------------------	-------------------------	--------------------------------	---------------------------

### Cristal-Flo™ SM

SM-430	430	7,4	0,15	1 1/2"	70	960	3,5	6-way / RE261069B
SM-500	500	9,8	0,20	1 1/2"	90	1000	3,5	6-way / RE261069B
SM-600	600	14,2	0,29	1 1/2"	140	1100	3,5	6-way / RE261069B
SM-760	760	22,5	0,45	2"	260	1250	3,5	6-way / RE261071ND

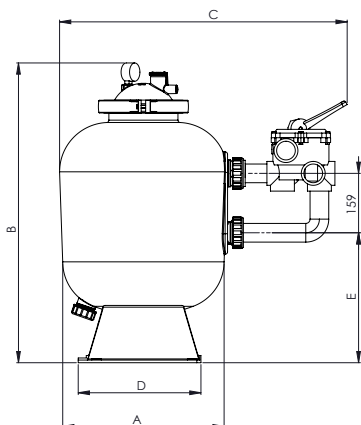
<sup>1</sup> Valve included.

Model	Length (cm)	Width (cm)	Height (cm)	Gross Weight (kg)	Pcs by pallet	Length pallet (cm)	Width pallet (cm)	Height pallet (cm)
-------	-------------	------------	-------------	-------------------	---------------	--------------------	-------------------	--------------------

### Cristal-Flo™ SM

SM-430	47	47	96	14	8	117	117	185
SM-500	54	54	100	19	8	130	110	170
SM-600	63	63	110	25	8	128	110	170
SM-760	78	78	120	38	4	156	156	134

## DIMENSIONS



Model	A mm	B mm	C mm	D mm	E mm
SM-430	455	840	750	Ø 400	540
SM-500	525	880	820	Ø 400	550
SM-600	625	980	920	Ø 400	585
SM-760	785	1120	1090	430x500	630

# CRISTAL-FLO™ TM

EXTRA-THICK THERMOPLASTIC TOP MOUNT SAND FILTERS



## FEATURED HIGHLIGHTS

- The tank is corrosion resistant, one-piece and extra-thick molded thermoplastic ensuring long service life.
- Larger drain port with hand tight threaded cap for easier cleaning and seasonal maintenance.
- Stainless steel one piece clamp connection.
- Valve can easily be mounted, no bolts or threading required, and can be removed from service without the need to disconnect the plumbing.

## ORDERING INFORMATION

Model	Filter (mm) Ø	Recommended flow rate (m <sup>3</sup> /h)	Filter Area (m <sup>2</sup> )	Flange connection	Sand 0.4 - 0.8 mm (kg)	Clearance distance (mm)	Maximum working pressure (bar)	Valve <sup>1</sup> / Ref.
-------	---------------	---	-------------------------------	-------------------	------------------------	-------------------------	--------------------------------	---------------------------

### Cristal-Flo™ TM

T-380	380	5	0,12	50 mm	48	800	3,5	6-way/R14965TM10
T-430	430	7,4	0,15	50 mm	70	960	3,5	6-way/R14965TM10
T-500	500	9,8	0,20	50 mm	90	1000	3,5	6-way/R14965TM10
T-600	600	14,2	0,29	50 mm	140	1100	3,5	6-way/R14965TM10
TM-760	762	22	0,45	2"	260	1300	3,5	6-way/RE272029ND

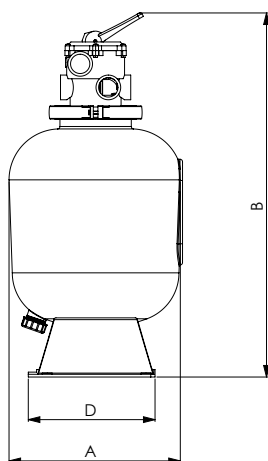
<sup>1</sup> Valve included.

Model	Length (cm)	Width (cm)	Height (cm)	Gross Weight (kg)	Pcs by pallet	Length pallet (cm)	Width pallet (cm)	Height pallet (cm)
-------	-------------	------------	-------------	-------------------	---------------	--------------------	-------------------	--------------------

### Cristal-Flo™ TM

T-380	41	44	69	11	8	120	84	146
T-430	47	47	96	14	8	120	100	160
T-500	54	54	100	19	8	130	110	170
T-600	63	63	110	25	8	130	115	210
TM-760	78	78	120	283	2	156	156	134

## DIMENSIONS



Model	A mm	B mm	D mm
T-380	405	750	Ø 400
T-430	455	880	Ø 400
T-500	525	950	Ø 400
T-600	625	1050	Ø 400
TM-760	762	1664	Ø 610

# SAND DOLLAR®

THERMOPLASTIC TOP MOUNT FILTERS  
WITH CLAMP STYLE MULTIPORT VALVE



## FEATURED HIGHLIGHTS

- 1-1/2 in. Six-position, top-mounted multiport valve included (262506). SD80 has 2 in. valve.
- Combination water and sand drain makes servicing and winterizing fast and easy.

The one piece Sand Dollar® filter features a clamp style, six-position multiport valve. Special lateral design provides superior flow characteristics and long filter cycles for economical operation.

## ORDERING INFORMATION

Product	Model	Effective Filtration Area (Sq. Ft.)	Max. Pressure (PSI)	Flow Rate (GPM)	Turnover Capacity (In Gallons)			All Sand Required (Lbs.)	Carton Qty.	Carton Wt. (Lbs.)
					8 Hour	10 Hour	12 Hour			

### Sand Dollar® Top Mount

145315	SD 35	1.4	30	35	16,800	21,000	25,200	100	1	22
145320	SD 40	1.8	35	40	19,200	24,000	28,800	150	1	24
145322	SD 60	2.3	40	60	28,800	36,000	43,200	250	1	28
145367	SD 70	3.15	50	70	33,600	42,000	50,400	300	1	58
145333	SD 80	3.5	50	75	36,000	45,000	54,000	350	1	76

Product	Description	Carton Qty.	Carton Wt. (Lbs.)
---------	-------------	-------------	-------------------

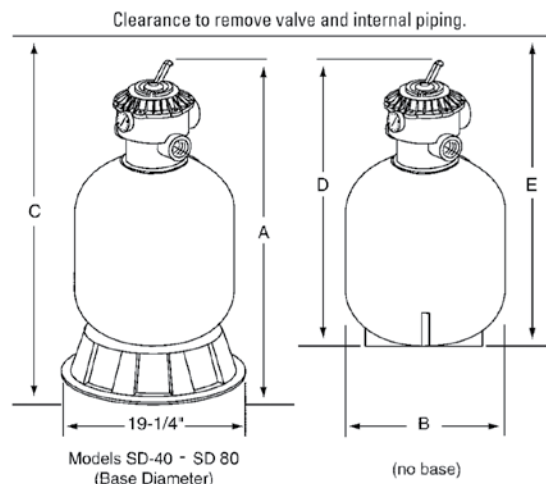
### Sand Dollar® Valves Options

262505	1-1/2 in. TA to TA D Conversion Kit w/ valve, , 6 in. Neck Size <sup>1</sup>	1	9
261185	2 in. TA D (TA 100D only), clamp, 8 in. Neck Size	1	7
262506	1-1/2 in. TA D (TA 30/40/50/60D), clamp, 6 in. Neck Size <sup>1</sup>	1	7

<sup>1</sup>For filters manufactured before 12-1-91.

## DIMENSIONS

Model	A	B	C	D	E
SD 35	33-1/2 in.	16-1/2 in.	37 in.	30-3/4 in.	34-1/4 in.
SD 40	37-3/4 in.	19-1/2 in.	46-1/4 in.	35 in.	43-1/2 in.
SD 60	43-3/4 in.	22-1/2 in.	52-1/2 in.	40-3/4 in.	49-1/4 in.
SD 70	46-1/4 in.	24 in.	57 in.	43-1/4 in.	53-3/4 in.
SD 80	48-3/4 in.	26 in.	65-3/4 in.	45-5/8 in.	62-1/2 in.



# LACUS - SIDE AND TOP MOUNT

## HIGH RATE SAND FILTER



### FEATURED HIGHLIGHTS

- Maximum working pressure 3.5 Bar.
- Non Corrosive material.
- Maximum operating temperature 50°C.
- UV resistant surface.
- Design for 4x safety factor.
- With 5 year filter shell warranty.
- Sizes available from 18" to 48" diameter.

Lacus Filters are FRP bobbin wound filters for swimming pool applications

## LACUS - SIDE MOUNT

### Product Specifications

<b>Max. Working Pressure</b>	3.5 Bar
<b>Factory Testing Pressure</b>	4.5 Bar
<b>Max. Operating Temp.</b>	50°C
<b>MOC</b>	Filament wound with Isotalic resin UV protection. FRP Liner
<b>Filter Colours</b>	Brown Beige
<b>Base Colour</b>	Black
<b>Warranty</b>	5 years for shell

### Pipe Filtration and Design

Product	Pipe Size (Inch)	Filter Area (m <sup>2</sup> )	Sand Req. (kg)	Design Flow (m <sup>3</sup> /hr)
BWF-18-1.5SM	1.5	0.15	80	7.5
BWF-21-1.5SM	1.5	0.22	150	11
BWF-25-1.5SM	1.5	0.32	220	15
BWF-28-1.5SM	1.5	0.37	240	18
BWF-30-2SM	2.0	0.44	270	22
BWF-32-2SM	2.0	0.56	400	28
BWF-36-2SM	2.0	0.70	470	35
BWF-36-2.5SM	2.5	0.70	470	35
BWF-44-2.5TM	2.5	0.93	900	46
BWF-48-2.5SM	2.5	1.1	1300	55
BWF-48-3SM	3.0	1.1	1300	55

### Dimensions

Product	BWF-18-1.5SM	BWF-21-1.5SM	BWF-25-1.5SM	BWF-28-1.5SM	BWF-30-2SM	BWF-32-2SM	BWF-36-2SM	BWF-36-2.5SM	BWF-44-2.5TM	BWF-48-2.5SM	BWF-48-3SM
A	450	550	650	700	760	860	960	960	1100	1200	1200
B	705	770	850	920	970	1090	1160	1160	1380	1480	1480
C	330	400	440	560	560	650	700	700	800	870	870
D	360	410	450	500	540	590	640	640	810	900	900
E	120	140	140	160	180	180	190	190	240	240	240



# LACUS - SIDE AND TOP MOUNT

## HIGH RATE SAND FILTER

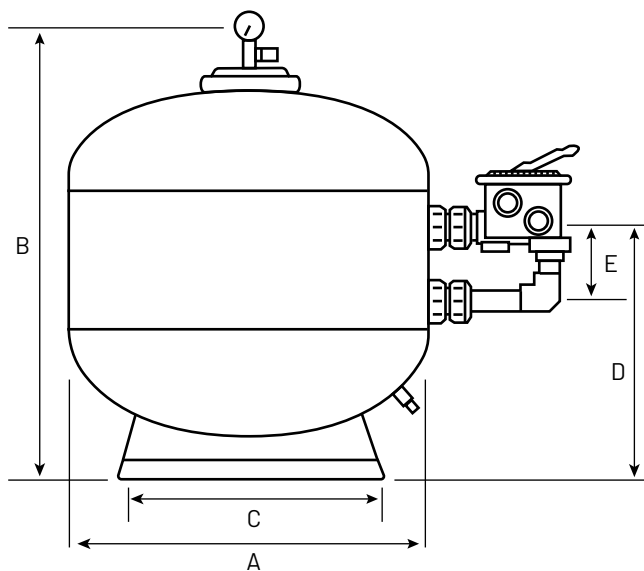
### LACUS - TOP MOUNT

#### Technical Characteristics

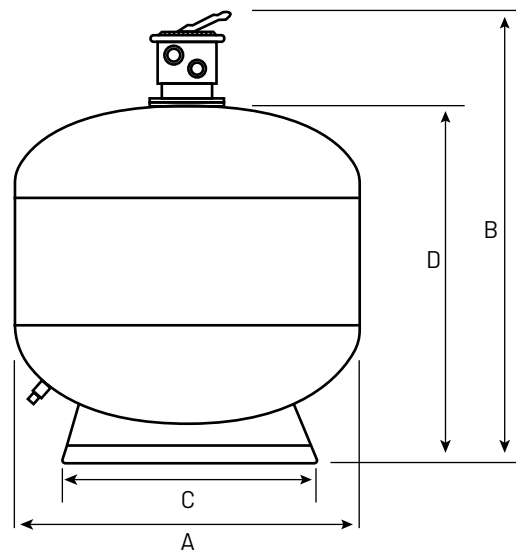
Product	Pipe Size (Inch)	Filter Area (m <sup>2</sup> )	Sand Req. (kg)	Design Flow (m <sup>3</sup> /hr)
BWF-18-1.5TM	1.5	0.15	80	7.5
BWF-21-1.5TM	1.5	0.22	150	11
BWF-25-1.5TM	1.5	0.32	220	15
BWF-28-1.5TM	1.5	0.37	240	18
BWF-30-2TM	2.0	0.44	270	22
BWF-32-2TM	2.0	0.56	400	28
BWF-36-2TM	2.0	0.70	470	35
BWF-48-2TM	2.0	1.1	1300	55

#### Dimensions

Product	BWF-18-1.5TM	BWF-21-1.5TM	BWF-25-1.5TM	BWF-28-1.5TM	BWF-30-2TM	BWF-32-2TM	BWF-36-2TM	BWF-36-2TM
A	450	550	650	700	760	860	960	1200
B	780	840	1040	990	1090	1210	1280	1480
C	330	400	440	560	560	650	700	870
D	530	600	680	750	800	920	990	990



Lacus Side Mount



Lacus Top Mount

# CRISTALFLO II SAND FILTER

POLYMER TANK SAND FILTER TOP MOUNT MPV



## FEATURED HIGHLIGHTS

- Filter body manufactured of chemical-resistant, weather resistant, inalterable plastic.
- Built-in collector at the bottom to ensure balanced flow and filter backwash.
- Easy to drain. No lost sand, thanks to a manual bleeder valve for water in the sand purge plug.
- Functionality. The advanced technology developed for the CristalFlo II filters offers extraordinary reliability in operation with low maintenance, allowing the filters to run safely with optimal pool filtering for many years. The equipment also includes the 6-way multiport valve.
- CristalFlo II filters provide an ideal solution for a wide variety of pool sizes, as they meet the filtering needs of pools between 30kL and 240kL with excellent flow rates.

The CristalFlo II Sand Filter uses a fully injection moulded tank for long life. The engineered shape provides maximum strength under high pressure. Offering optimal performance at minimal cost these filters can withstand high flow rates without reducing the filtration rate to keep the water crystal clear.

## ORDERING INFORMATION

Model	Product	Effective Filter Area (ft <sup>2</sup> / m <sup>2</sup> )	Min Flow Rate <sup>1</sup> (LPM)	Max Flow Rate (LPM)	Turnover Capacity (In Litres)			Carton Dim(mm).	Carton Wt. (Kg)	Pallet Qty.
					8 Hour	10 Hour	12 Hour			

### CRISTALFLO II Filters

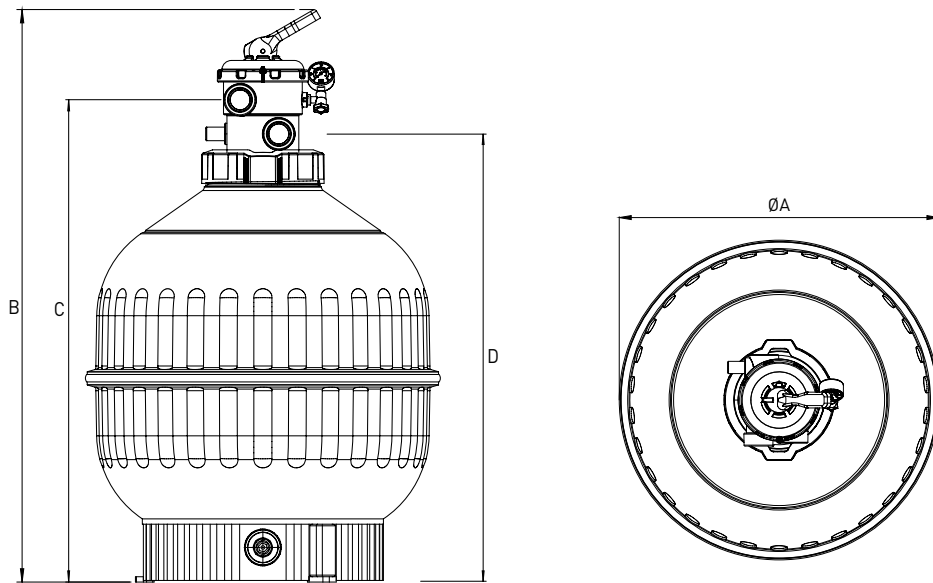
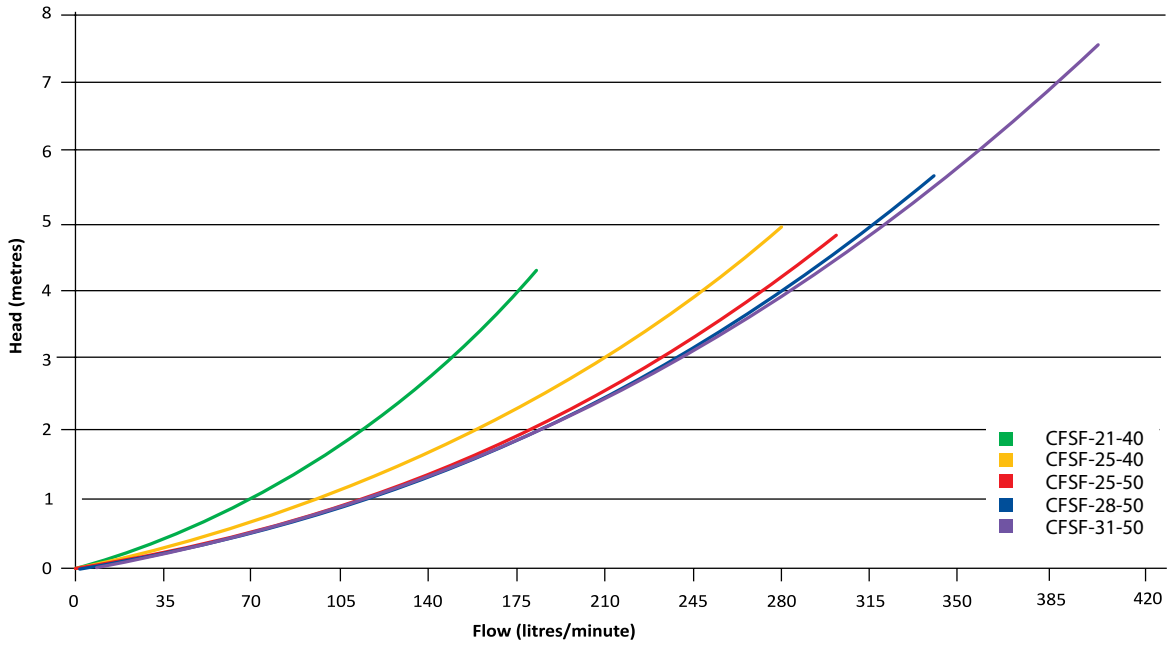
CFSF-21-40	CristalFlo II Sand Filter 21" / 40mm MPV	2.5 / 0.2	120	180	86,400	108,000	129,600	560x360x650	13	8
CFSF-25-40	CristalFlo II Sand Filter 25" / 40mm MPV	3.2 / 0.3	180	280	134,400	168,000	201,600	670x670x770	20	4
CFSF-25-50	CristalFlo II Sand Filter 25" / 50mm MPV	3.2 / 0.3	180	300	144,000	180,000	216,000	670x670x770	20	4
CFSF-28-50	CristalFlo II Sand Filter 28" / 50mm MPV	4.1 / 0.38	230	340	163,200	204,000	244,800	750x750x830	22	1
CFSF-31-50	CristalFlo II Sand Filter 31" / 50mm MPV	5.0 / 0.46	260	400	192,000	240,000	288,000	820x820x920	28	1

\*Terms and conditions apply

# CRISTALFLO II SAND FILTER

POLYMER TANK SAND FILTER TOP MOUNT MPV

## DIMENSIONS AND PERFORMANCE\*



Model	A (mm)	B (mm)	C (mm)	D (mm)
-------	--------	--------	--------	--------

### CRISTALFLO II FILTERS

CFSF-21-40	560	980	807	747
CFSF-25-40	665	1076	902	842
CFSF-25-50	665	1076	936	855
CFSF-28-50	742	1076	936	855
CFSF-31-50	816	1233	1093	1012

### FILTER MEDIA (kg)

Model	Sand	Zeolite	Glass	
			Fine	Coarse
CFSF-21-40	80	75	45	35
CFSF-25-40	120	105	75	45
CFSF-25-50	120	105	75	45
CFSF-28-50	150	120	90	60
CFSF-31-50	200	165	125	75

\*All dimensions in mm.

# PANTERA® SAND FILTER

POLYMER TANK SAND FILTER TOP MOUNT MPV

**onga®**



## FEATURED HIGHLIGHTS

- Under-drain laterals - Designed to give you maximum performance, the water filters down through the entire bed of sand to give superior filtration for sparkling clean water.
- Stainless steel filter clamp.
- Large in-line sight glass.
- 6 position multi-port valve with durable seals and gaskets.
- Includes MPV and barrel unions.
- 10 year pro-rata warranty.\*

Our process creates a one-piece, roto-moulded tank with superior strength and durability. Sizes from 21" up to 33" to meet any pool size. Pantera® filters are equipped with a six-position, clamp style, top-mounted multiport valve.

## ORDERING INFORMATION

Model	Product	Effective Filter Area (ft <sup>2</sup> / m <sup>2</sup> )	Min Flow Rate <sup>1</sup> (LPM)	Max Flow Rate (LPM)	Turnover Capacity (In Litres)			Carton Dim(mm).	Carton Wt. (Kg)	Pallet Qty.
					8 Hour	10 Hour	12 Hour			
<b>Pantera Filters</b>										
P221100	P21 Pantera 21" Sand Filter 40mm MPV	2.2 / 0.2	125	165	79,200	99,000	118,800	560x560x650	17	8
P225100	P25 Pantera 25" Sand Filter 40mm MPV	3.2 / 0.3	175	235	112,800	141,000	169,200	660x660x770	24	8
P229200	P29 Pantera 29" Sand Filter 50mm MPV	4.3 / 0.4	240	320	153,600	192,000	230,400	770x760x830	35	4
P233200	P33 Pantera 33" Sand Filter 50mm MPV	5.6 / 0.5	310	415	199,200	249,000	298,800	860x860x920	42	2

<sup>1</sup> Minimum flow rate required to effectively backwash filter.

Product	Description	Carton Dim. (mm)	Carton Wt. (kg)	Pallet Qty.
---------	-------------	------------------	-----------------	-------------

### Accessories For Pantera Sand Filters

SR14965-A003	1.5" MPV for Pantera 21" & 29" Filters	310x250x230	3.4	64
SR14971-TM-22-L	2.0" MPV for Pantera 29" & 33" Filters	330x240x240	3.3	52

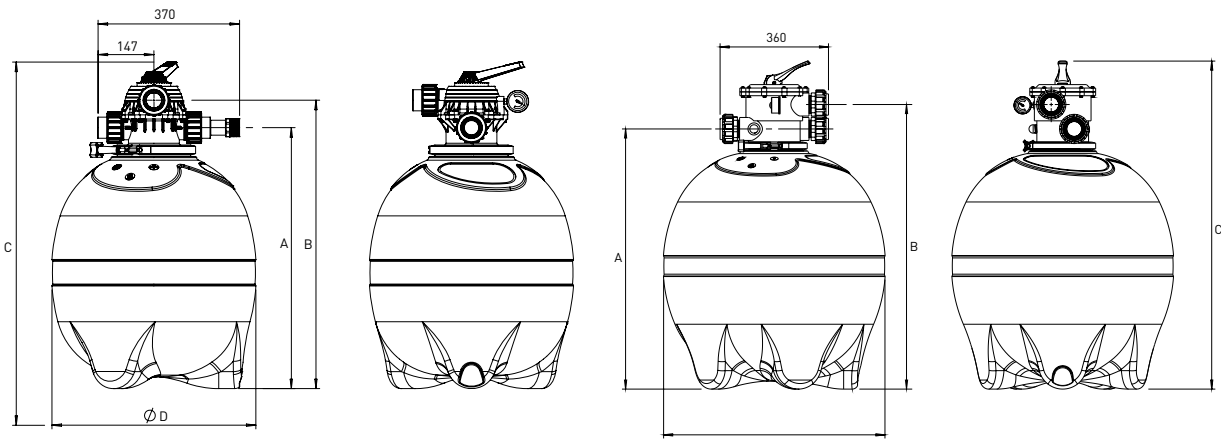
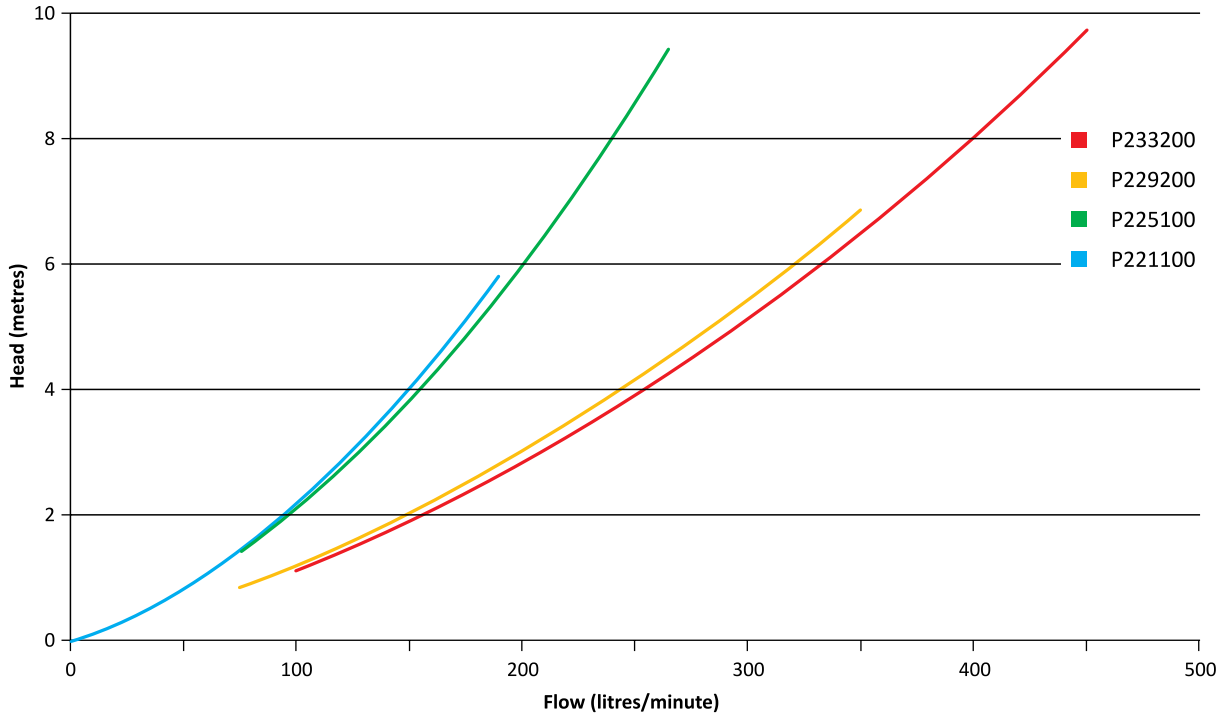
Note: Operating Limits - maximum continual Operating pressure of 280kPa.  
Maximum operating water temperature (internal filter) 38°C

\*Terms and conditions apply

# PANTERA® SAND FILTER

POLYMER TANK SAND FILTER TOP MOUNT MPV

## DIMENSIONS AND PERFORMANCE\*



### DIMENSION (mm)

Model	A	B	C	D
P221100	685	755	840	535
P225100	805	875	960	635
P229200	858	940	1090	735
P233200	938	1020	1170	835

### FILTER MEDIA (kg)

Model	Sand	Zeolite	Glass	
			Fine	Coarse
P221100	90	70	60	30
P225100	140	105	90	45
P229200	185	140	120	60
P233200	220	165	135	75

\*All dimensions in mm.

# LEISURETIME II® TOP MOUNT FILTER

FIBREGLASS TANK WITH MULTI-PORT VALVE, CLAMP STYLE

onga®



Leisuretime II  
Top Mount Filter



## FEATURED HIGHLIGHTS

- Spun-woven, UV resistant fibreglass construction for exceptional strength, chemical resistance and long life.
- Six-function multi-port valve for easy control of all filter functions • Filter • Waste • Backwash • Closed • Rinse • Re-circulate
- Stainless Steel clamp for corrosion resistance and allows 360 degree rotation of multi-port valve to simplify installation.
- Includes MPV and barrel unions.
- New 40mm MPV with screw down lid
- 10 year pro-rata warranty.\*

The Leisuretime II Fibreglass Sand Filter is the perfect high performance sand filter. It's incredibly simple to operate and maintain, and it's built with long-term reliability in mind. Plus, its highly efficient design provides all the clean, crystal clear water your pool requires year after year.

## ORDERING INFORMATION

Model	Product	Effective Filter Area (ft <sup>2</sup> / m <sup>2</sup> )	Min Flow Rate <sup>1</sup> (LPM)	Max Flow Rate (LPM)	Turnover Capacity (In Litres)			Carton Dim. (mm)	Carton Wt. (kg)	Pallet Qty.
					8 Hour	10 Hour	12 Hour			

### Leisuretime II Filters

LSFII-21-40	Leisuretime II 21" Sand Filter 40mm MPV	2.1 / 0.2	120	190	91,200	114,000	136,800	540x540x890	16	8
LSFII-25-40	Leisuretime II 25" Sand Filter 40mm MPV	3.2 / 0.3	180	260	124,800	156,000	187,200	620x620x980	21.5	8
LSFII-25-50	Leisuretime II 25" Sand Filter 50mm MPV	3.2 / 0.3	180	280	134,400	168,000	201,600	620x620x1020	23	8
LSFII-28-50	Leisuretime II 28" Sand Filter 50mm MPV	4.1 / 0.38	230	350	168,000	210,000	252,000	730x730x830 + 290x290x400	27	2
LSFII-32-50	Leisuretime II 32" Sand Filter 50mm MPV	5.4 / 0.5	270	415	199,200	249,000	298,800	800x800x900 + 290x290x400	31	2

<sup>1</sup> Minimum flow rate required to effectively backwash filter.

Product	Description	Carton Dim.	Carton Wt. (kg)	Pallet Qty.
---------	-------------	-------------	-----------------	-------------

### Accessories For Leisuretime II Sand Filters

88280150	1.5" MPV for Leisuretime II Sand Filters	290x290x400	3.5	48
88281506F	2.0" MPV for Leisuretime II Sand Filters	290x290x400	3.5	48

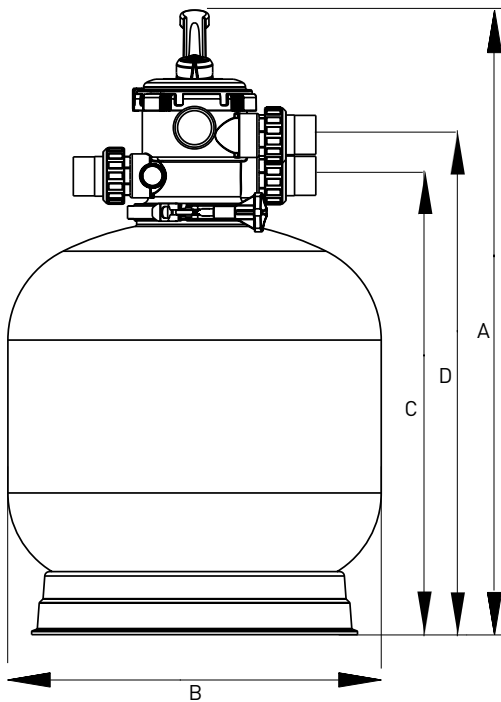
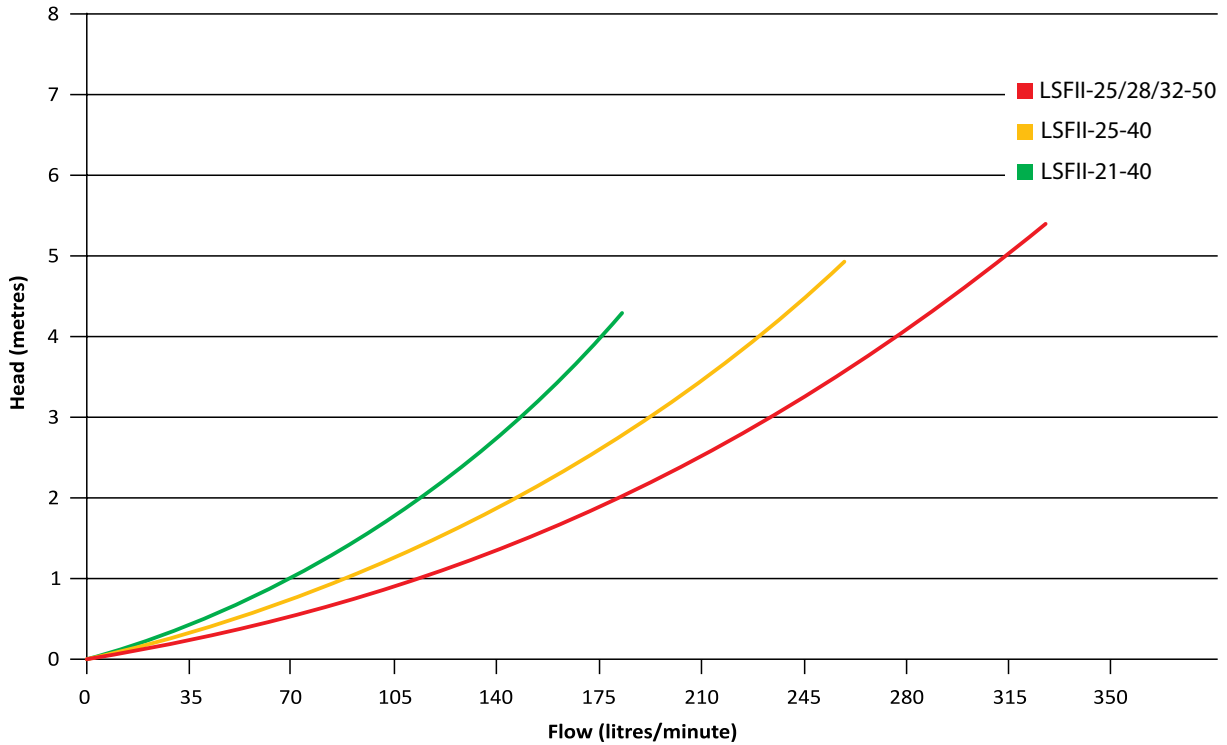
Note: Operating Limits - maximum continual Operating pressure of 250kPa. Maximum operating water temperature (internal filter) 43°C

\* Terms and conditions apply

# LEISURETIME II® TOP MOUNT FILTER

FIBREGLASS TANK WITH MULTIPORT VALVE, CLAMP STYLE (CONT'D)

## DIMENSIONS AND PERFORMANCE\*



### Dimension

Model	A	B	C	D
LSFII-21-40	875mm	535mm	670mm	730mm
LSFII-25-40	980mm	635mm	775mm	835mm
LSFII-25-50	985mm	635mm	780mm	840mm
LSFII-28-50	1050mm	723mm	877mm	960mm
LSFII-32-50	1200mm	800mm	1002mm	1085mm

### Filter Media (Kg)

Model	Sand	Zeolite	Glass	
			Fine	Coarse
LSFII-21-40	90	70	60	30
LSFII-25-40	140	105	90	45
LSFII-25-50	140	105	90	45
LSFII-28-50	185	140	120	60
LSFII-28-50	220	165	135	75

\*All dimensions in mm.

# PRO-VALVE

FOR TRITON NEO



## FEATURED HIGHLIGHTS

- Superior filtration removes even the tiniest particles for a sparkling-clean pool experience to achieve crystal-clear water.
- Enhanced internal design and balanced flow enable 25% greater\* energy efficiency and lower operating cost.
- Longer filtration cycles extend periods between cleanings for low maintenance ownership.

## FEATURES

Associating the Pentair Pro Valve to an external control systems such as IntelliPool

Port can be 90° rotated

## BENEFITS

Automated filter backwash

Installation facilitated

## ORDERING INFORMATION

Model Number	Description
PROVALVE	-
PROV-1010	2" ProValve Kit with unions <sup>(1)</sup>
<b>TRITON NEO WITH CLEARPRO TECHNOLOGY WITH PROVALVE</b>	
F-24S8-NEOCPPRO	24" Triton NEO ClearPro with Pro Valve
F-30S8-NEOCPPRO	30" Triton NEO ClearPro with Pro Valve
F-36S8-NEOCPPRO	36" Triton NEO ClearPro with Pro Valve

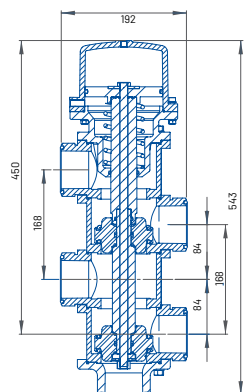
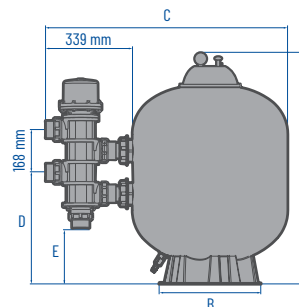
<sup>(1)</sup> PROV-ADAP is required to install on existing Triton.

Sea water version (4.5%) available on demand. Please contact your local Pentair representative. Clear Pro Technology as standard Triton price.



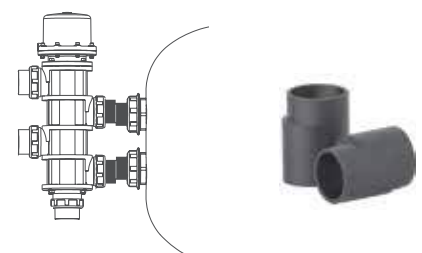
## DIMENSIONS

Model Number	A (mm)	B (mm)	C (mm)	D (mm)	E (mm)
F-24S8-NEOCPPRO	915	Ø400	949	438	211
F-30S8-NEOCPPRO	1055	Ø610	1101	498	271
F-36S8-NEOCPPRO	1160	Ø610	1253	565	338



## ACCESSORIES

Model Number	Description
PRO-ADAP	Retro-Fit Adaptor for Triton standard and neo (2 pcs.)
PROV-CPR	Pro Valve Compressor (135 x 254 x 220 mm/ 3.8 bar)





# FREEFLO CARTRIDGE FILTER

HIGH PERFORMANCE CARTRIDGE FILTER



## FEATURED HIGHLIGHTS

- Built from highly durable UV resistant plastics.
- Lid and locking ring have large handles for easy grip.
- 2 inlet ports and 2 outlet ports, 90 degrees opposed allows fitting to any plumbing configuration.
- 40mm and 50mm barrel unions included.
- Small footprint.
- Stainless steel, oil-filled, pressure gauge.
- Internal bypass valve prevents exceedingly high pressures.

The FreeFlo Cartridge filter combines top-end filter performance with low maintenance. This dependable design uses special filter elements to strip tiny particles from your pool water...particles as small as 8 microns. (An average grain of beach sand is 1,000 microns!) Plus, cleaning is a breeze. Open the top, remove the cartridge, hose it off and the FreeFlo filter is ready to go again.

## ORDERING INFORMATION

Model	Product	Effective Filtration Area (ft <sup>2</sup> /m <sup>2</sup> )	Max Flow Rate (LPM)	Carton Dimensions (mm)	Carton Wt. (kg)	Pallet Qty.
-------	---------	--	---------------------	------------------------	-----------------	-------------

### FREEFLO FILTERS

FFCF-075	FreeFlo Cartridge Filter 75 sq ft	7 / 75	280	320x320x900	10.2	12
FFCF-100	FreeFlo Cartridge Filter 100 sq ft	9.3 / 100	380	320x320x900	11.8	9
FFCF-150	FreeFlo Cartridge Filter 150 sq ft	13.9 / 150	550	320x320x1100	13.4	9
FFCF-200	FreeFlo Cartridge Filter 200 sq ft	18.6 / 200	680	320x320x1300	15.7	9

### FREEFLO FILTER REPLACEMENT CARTRIDGES

800750	Replacement Cartridge FFCF 75 sq ft	-	-	185x185x545	3.2	1
800760	Replacement Cartridge FFCF 100 sq ft	-	-	185x185x545	4.8	1
800761	Replacement Cartridge FFCF 150 sq ft	-	-	185x185x725	6.4	1
800762	Replacement Cartridge FFCF 200 sq ft	-	-	185x185x905	7.7	1

**Note:** Operating Limits - maximum continual operating pressure of 250kPa. Pool/spa (bather) applications, maximum operating water temperature (internal filter) 40°C.

\*Terms and conditions apply

# FULLFLOXF™

## HIGH EFFICIENCY FILTERS



### FEATURED HIGHLIGHTS

- Superior filtration removes even the tiniest particles for a sparkling-clean pool experience to achieve crystal-clear water.
- Enhanced internal design and balanced flow enable 25% greater\* energy efficiency and lower operating cost.
- Longer filtration cycles extend periods between cleanings for low maintenance ownership.

### EXPLORE THE LINE OF FULLFLOXF HIGH EFFICIENCY FILTERS

Pools boasting more splash for the pad or more flair in the flow need filters that not just rise to the challenge, but geysers to it. Enter FullFlo: Every product in the FullFloXF family of high efficiency pool filters offers optimum filtration efficiency, easy maintenance and longer runs between cleanings—keeping even the largest, splashiest pools sparkling-clear at a lower operating cost.

### ORDERING INFORMATION

Part Number	Model Number	Media Type	Filter Area (sq. ft.)	Vertical Clearance*	Filter	Plumbing Size	Filter Diameter	Flow Rate (GPM)	Turnover 8 Hours	Capacity 10 Hours	(Gallons) 12 Hours
160448	C620	Cartridge	620	76"	Cartridge	2.5-3"	21.5"	180	86,400	108,000	129,600
188621	F72	DE	72	92"	Grid Style De Filter	2.5-3"	21.5"	144	69,120	86,400	103,680
188616	Q120	DE	120	76"	Cartridge Style DE Filter	2"	21.5"	180	86,400	108,000	129,600
188624	FV60	DE	58	70"	Grid Style De Filter	2"	21.5"	116	55,680	69,600	83,520
188625	FV72	DE	72	76"	Grid Style De Filter	2"	21.5"	144	69,120	86,400	103,680

\* Minimum clearance to remove lid and internal elements

# CLEAN & CLEAR®

FIBERGLASS REINFORCED POLYPROPYLENE  
CARTRIDGES FILTERS



## FEATURED HIGHLIGHTS

- NSF listed.
- Unionized connections.
- Integrated continuous High Flow™ internal air relief\*.
- Chemical resistant tank body.
- Lock ring with spring-loaded safety latches.
- Coreless cartridge for easy cleaning.
- High Flow manual air relief valve.
- 1 in. drain and wash out.
- Single piece base and body design.

\* Integrated continuous High Flow internal air relief is operational only when there is unobstructed flow in the circulating system.

The **Clean & Clear®** Filter features a chemical resistant tank with no-tool servicing and a coreless cartridge for easier cleaning. All models are equipped with easy spin-on unions for plumbing hook-ups. These filters are NSF listed, and are available in 50, 75, 100, 150, and 200 square foot sizes.

## ORDERING INFORMATION

Standard	Model	Filter (mm) Ø	Recommended flow rate (m³/h)	Filter Area (m²)	Flange connection	Clearance distance (mm)	Valve Connection	Maximum working pressure (bar)
----------	-------	---------------	------------------------------	------------------	-------------------	-------------------------	------------------	--------------------------------

### Clean & Clear®

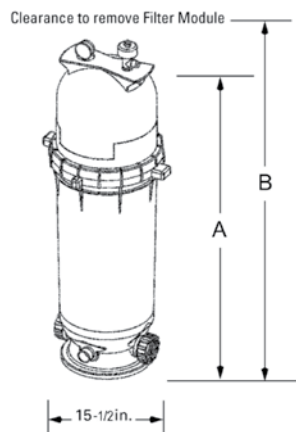
160314	CC50	394	5	4,7	50 mm	762	ID50 - OD63	3.5
160315	CC75	394	8	7,0	50 mm	991	ID50 - OD63	3.5
160316	CC100	394	10	9,3	50 mm	1550	ID50 - OD63	3.5
160317	CC150	394	14	13,9	50 mm	1930	ID50 - OD63	3.5
160318	CC200	394	18	18,6	50 mm	1930	ID50 - OD63	3.5

## DIMENSIONS

**Note:** Actual system flow will depend on plumbing size and other system components.

**Note:** Pentair Pool Products does not recommend flow rates above 150 GPM.

**Note:** Operating Limits - maximum continual operating pressure of 50 PSI. Pool/spa (bather) applications, maximum operating water temperature (internal filter) 104°F (40°C).



Model	A	B
160314	18"	30"
160315	25 1/2"	39"
160316	33"	61"
160317	40 1/2"	76"
160318	40 1/2"	76"

# CLEAN & CLEAR® PLUS

FIBERGLASS REINFORCED POLYPROPYLENE  
CARTRIDGES FILTERS



## FEATURED HIGHLIGHTS

- Corrosion-resistant, injection-molded, fiberglass-reinforced, polypropylene filter tank featuring superior strength and reliability
- Single-piece base and body design for more stability
- Integrated Continuous High Flow™ Internal Air Relief
- Clean & Clear Plus uses 4 cartridges for an increased filter area and a better dirt capacity, which increase the period between washings
- Perfect match with variable speed pumps

\* Integrated continuous High Flow internal air relief is operational only when there is unobstructed flow in the circulating system.



**Clean & Clear® Plus** Filters have a corrosion resistant injection molded filter tank featuring superior strength and reliability. The cartridge assembly uses four easy to clean, non-woven, polyester cartridges. Each filter is supplied with a bulkhead union set for easy installation.

## ORDERING INFORMATION

Model	Standard	Filter (mm) Ø	Recommended flow rate (m³/h)	Filter Area (m²)	Flange connection	Clearance distance (mm)	Maximum working pressure (bar)	Valve Connection
-------	----------	---------------	------------------------------	------------------	-------------------	-------------------------	--------------------------------	------------------

### Clean & Clear® Plus

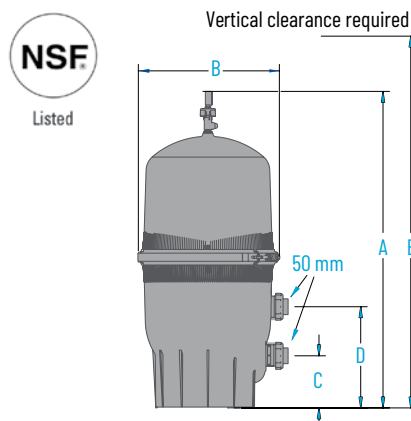
CC240	160310	546	10	22,3	50 mm	1422	3,5	DI50-DE63
CC320	160340	546	14	29,7	50 mm	1575	3,5	DI50-DE63
CC420	160301	546	22	39,0	50 mm	1727	3,5	DI50-DE63
CC520	160332	546	30	48,3	50 mm	1880	3,5	DI50-DE63

## DIMENSIONS

**Note:** Actual system flow will depend on plumbing size and other system components.

**Note:** Pentair Pool Products does not recommend flow rates above 150 GPM.

**Note:** Operating Limits - maximum continual operating pressure of 50 PSI. Pool/spa (bather) applications, maximum operating water temperature (internal filter) 104°F (40°C).



Model	A	B	C	D	E
160310	940	546	203	394	1422
160340	1092	546	203	394	1575
160301	1244	546	203	394	1727
160332	1422	546	203	394	1880

# CLEAN & CLEAR® RP

FIBERGLASS REINFORCED POLYPROPYLENE  
CARTRIDGES FILTERS



## FEATURED HIGHLIGHTS

- Nearly 50% more energy efficient than other single cartridge filters.
- Cartridge is easy to remove and rinse.
- Low-force, quick-connect diamond-seal fastens easily with no tools required.
- Chemical resistant tank body.
- High-flow manual air relief valve and continuous internal air relief\*.
- 1-1/2 in. drain and wash outashout for quick and convenient maintenance and winterization.
- Easy turn Lock-ring.
- Separation Tank debris bag holds up to 20 lbs. of D.E.

\* Integrated continuous High Flow internal air relief is operational only when there is unobstructed flow in the circulating system.

The **Clean & Clear® RP** Filter features a chemical resistant tank with no-tool servicing and a coreless cartridge for easier cleaning. All models are equipped with easy spin-on unions for plumbing hook-ups. These filters are NSF listed, and are available in 100, 150, and 200 square foot sizes.

## ORDERING INFORMATION

Product	Model	Effective Filtration Area (Sq. Ft.)	Flow Rate <sup>1</sup> (GPM Res)	Flow Rate <sup>2</sup> (GPM Comm)	Turnover Capacity (In Gallons)			Carton Qty.	Carton Wt. (Lbs.)
					8 Hour	10 Hour	12 Hour		

### Clean & Clear® RP<sup>1</sup>

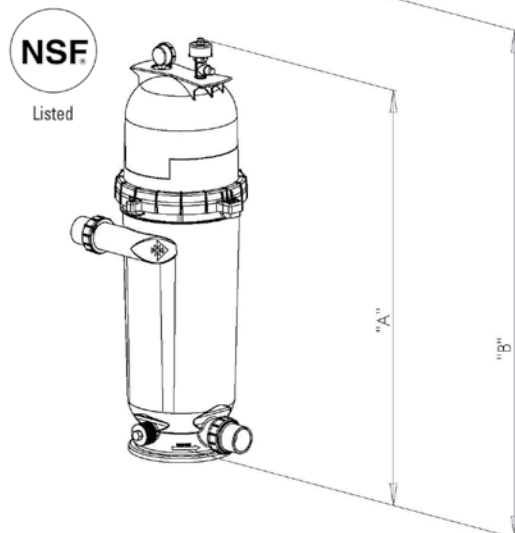
160354	CCRP 100	100	100	38	48,000	60,000	72,000	1	33
160355	CCRP 150	150	150	56	72,000	90,000	108,000	1	35
160353	CCRP 200	200	150	75	72,000	90,000	108,000	1	35

## DIMENSIONS

**Note:** Actual system flow will depend on plumbing size and other system components.

**Note:** Pentair Pool Products does not recommend flow rates above 150 GPM.

**Note:** Operating Limits - maximum continual operating pressure of 50 PSI. Pool/spa (bather) applications, maximum operating water temperature (internal filter) 104°F (40°C).



Model	A	B
160354	33"	61"
160355	40,5"	76"
160353	40,5"	76"

# POSI-CLEAR™ RP

FIBERGLASS REINFORCED POLYPROPYLENE  
CARTRIDGES FILTERS



## FEATURED HIGHLIGHTS

- NSF listed.
- Unionized connections.
- Integrated continuous High Flow™ internal air relief\*.
- Chemical resistant tank body.
- Lock ring with spring-loaded safety latches.
- Coreless cartridge for easy cleaning.
- High Flow manual air relief valve.
- 1 in. drain and wash out.
- Single piece base and body design.

\* Integrated continuous High Flow internal air relief is operational only when there is unobstructed flow in the circulating system.

The **Posi-Clear RP™** Filter features a chemical resistant tank with no-tool servicing and a coreless cartridge for easier cleaning. All models are equipped with easy spin-on unions for plumbing hook-ups. These filters are NSF listed, and are available in 100, 150, and 200 square foot sizes.

## ORDERING INFORMATION

Product	Model	Effective Filtration Area (Sq. Ft.)	Flow Rate <sup>1</sup> (GPM Res)	Flow Rate <sup>2</sup> (GPM Comm)	Turnover Capacity (In Gallons)			Carton Qty.	Carton Wt. (Lbs.)
					8 Hour	10 Hour	12 Hour		

### Posi-Clear RP™<sup>3</sup>

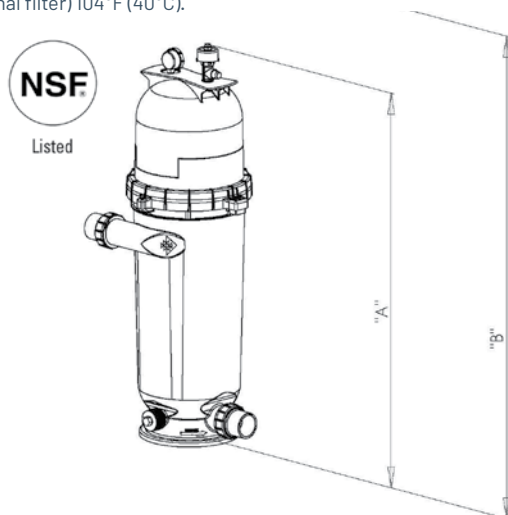
160351	PXCRP100	100	100	38	48,000	60,000	72,000	1	33
160352	PXCRP50	150	150	56	72,000	90,000	108,000	1	35
160350	PXCRP200	200	150	75	72,000	90,000	108,000	1	35

## DIMENSIONS

**Note:** Actual system flow will depend on plumbing size and other system components.

**Note:** Pentair Pool Products does not recommend flow rates above 150 GPM.

**Note:** Operating Limits - maximum continual operating pressure of 50 PSI. Pool/spa (bather) applications, maximum operating water temperature (internal filter) 104°F (40°C).



Model	A	B
160351	33"	61"
160352	40,5"	76"
160350	40,5"	76"

# QUAD D.E.® FILTERS

## CARTRIDGE STYLE FILTER



Quad D.E. Filter



The Highest Water Clarity with the Lowest Amount of Fuss. Quad D.E. combines the finest filtration available for the most sparkling clear water with the convenience and easy-cleaning features usually found only in a cartridge filter. Four easily accessible and removable D.E. cartridges simplify maintenance and save time.

### FEATURED HIGHLIGHTS

- Four large-capacity cartridges provide maximum filter surface area for greater dirt-trapping capacity and longer periods between cleanings
- Chemical resistant, fiberglass reinforced polypropylene tank for exceptional strength and long life
- Easily removable cartridge elements make maintenance fast and easy
- Water flows through the Quad D.E. Filter so efficiently that your pump will use less energy

### ORDERING INFORMATION

Product	Model	Effective Filtration Area (Sq. Ft.)	Flow Rate (GPM)	Turnover Capacity (In Gallons)			D.E. Required (Lbs.)	Carton Qty.	Carton Wt. (Lbs.)
				8 Hour	10 Hour	12 Hour			

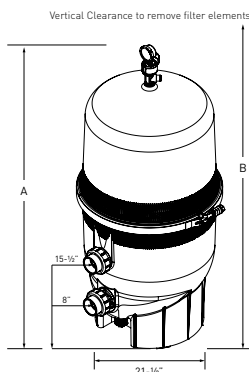
#### Quad D.e. Filters

188592	Quad D.E. 60	60	120	57,600	72,000	86,400	6.0	1	70
188593	Quad D.E. 80	80	160	76,800	96,000	115,200	8.0	1	80
188594	Quad D.E. 100	100	160	76,800	96,000	115,200	10.0	1	90

#### Quad D.e. Valve Options<sup>1</sup>

261173	1-1/2 in. MPV, for Triton and Quad D.E. filters (SM 10-3)	1	3
263079	2 in. PVC Slide valve w/o plumbing, for D.E. & sand filters	1	7
261049	2 in. HiFlow valve, no plumbing	1	11
261050	2 in. HiFlow w/ plumbing, for Triton and Quad D.E. filters	1	10
261055	2 in. MPV, for Triton and Quad D.E. filters (SM 20-3)	1	5
263064	Push pull valve, 7-1/2 in. Center, Almond PVC	1	4
270100	Union Kit, 2 in. I.D. (For no valve assembly)	1	1
274426	Adapter Kit, 2-1/2 in. x 2 in.	1	1
263080	Valve for D.E., inlet port on bottom, Pentair 2 in. unions glued on XF Valve	1	12

<sup>1</sup> Valves must be purchased separately.



**Certified to  
NSF/ANSI Standard 50**

Product	A Dim.	B Dim.
188592	43"	62"
188593	49"	68"
188594	56"	74"

### DIMENSIONS AND PERFORMANCE

Note: Actual system flow will depend on plumbing size and other system components.

Note: Pentair Aquatic Systems does not recommend flow rates above 150 GPM.

\* Integrated continuous High Flow internal air relief is operational only when there is unobstructed flow in the circulating system.

Note: Operating Limits – maximum continual operating pressure of 50 PSI. Pool/spa (bather) applications, maximum operating water temperature (internal filter) 104°F (40°C).

# LACUS - COMMERCIAL

DIRT HANDLING CAPACITY PAYS OFF IN LESS MAINTENANCE



## FEATURED HIGHLIGHTS

- Max. Working Pressure 2.5 bar\*\*
- Max. operating temperature 50°C
- MOC Filament wound with Isothalic resin & UV protection on FRP Liner
- Filter Colours Blue
- Base Colour Black
- Warranty 5 years on vessel
- Visual No contamination / foreign Particles and internal surface smooth without any loose fibre or blisters

We are specialists in the production of bobbin wound polyester sand filters for large size installations, such as commercial and communal swimming-pools, aquatic parks, water treatment plants, aquariums, etc.

## ORDERING INFORMATION

### Product Specifications

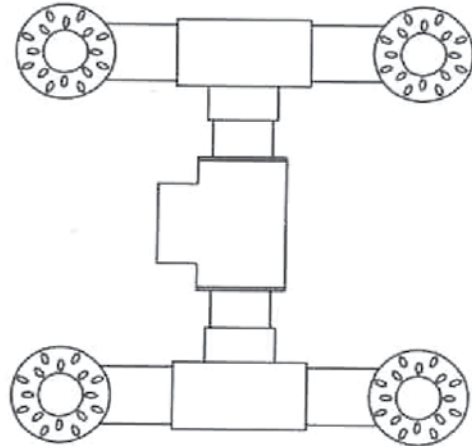
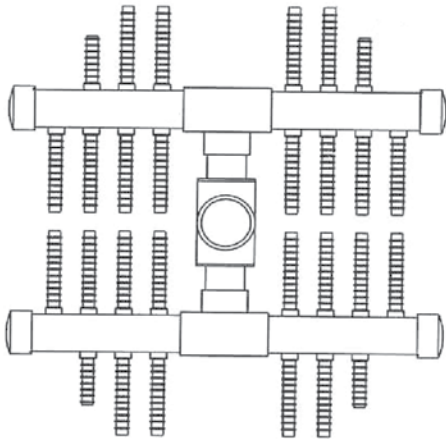
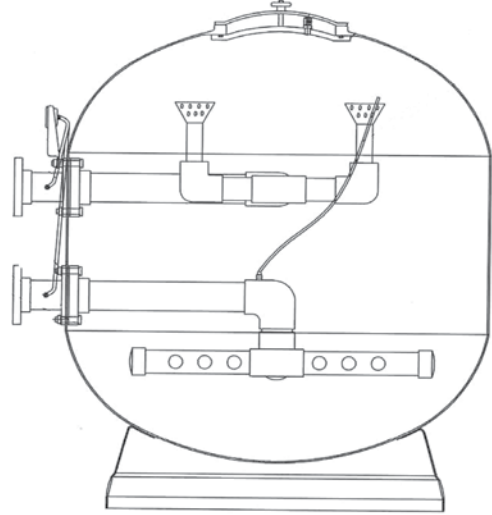
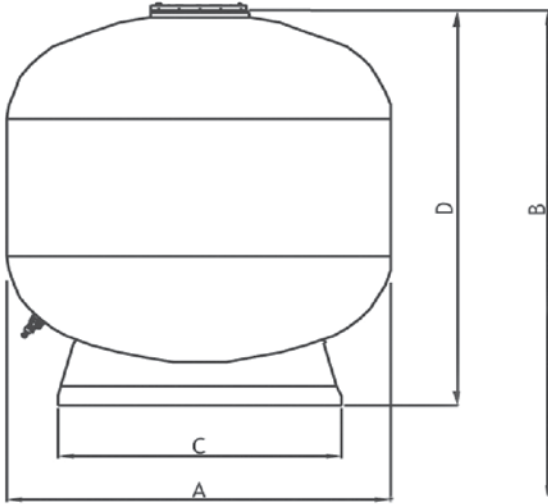
Product	Filter Dia. (mm)	Filter Area (Sq Ft)	Port Size (Inch)	Flow Rate (m <sup>3</sup> /hr)	Sand Req. (kg)	Gravel (Kg)
FSM 1400 – 55"	1400	16	4 inch	45/60	1500	450
FSM 1600 – 63"	1600	21	4 inch	59/79	2500	800
FSM 1800 – 70"	1800	27	6 inch	77/102	3600	1150
FSM 2000 – 78"	2000	33	6 inch	93/124	4500	1400



# LACUS - COMMERCIAL

DIRT HANDLING CAPACITY PAYS OFF IN LESS MAINTENANCE

## DIMENSIONS



Product	FSM 1400 - 55"	FSM 1600 - 63"	FSM 1800 - 70"	FSM 2000 - 78"
A	1400	1600	1800	2000
B	1700*	2050	2270	2350
C	1020*	1270	1530	1720
D	1050*	1230	1430	1470
E	450*	425	500	500

**Note:** Flow rate is calculated at a specific velocity of 30m<sup>3</sup>/h/m<sup>2</sup>

Flow rate is calculated at a specific velocity of 40m<sup>3</sup>/h/m<sup>2</sup>

\*\*Parameters shall be finalized after the manufacturing of products.

COMMERCIAL

AUTOMATION

FILTERS

VALVES

PUMPS

HEATERS &  
HEAT PUMPS

LIGHTING

CLEANERS

WATER  
FEATURES

CHEMICAL  
CONTROLLERS  
& SANITIZERS

WHITE  
GOODS

MAINTENANCE  
& SAFETY

LIFTS & DECK  
EQUIPMENT

SPA

# PWT-V COMMERCIAL FILTER

FIBREGLASS TANK WITH TOP MOUNT MPV



## FEATURED HIGHLIGHTS

- Spun-woven, UV resistant fiberglass construction for exceptional strength, chemical resistance and long life.
- Max Operating Pressure 250kPa.
- Dual layers of Laterals.
- 2.5" (65mm) Barrel union connections.
- 1 year commercial warranty.\*

The Pentair V Series satisfies the demand of different water treatment including pools installed with in-floor cleaning systems, spas, fountains and public swimming pools. The bobbin-wound fiberglass reinforced tank is the most popular standard in the industry. UV resistant and equipped with a six-position multi-port valve.

## ORDERING INFORMATION

Model	Product	Effective Filter Area (m <sup>2</sup> )	Valve Conn. (in.)	Max Flow Rate (m <sup>3</sup> /hr)	Sand Req'd (kg)	Gross Wt. (kg)
-------	---------	---	-------------------	------------------------------------	-----------------	----------------

### Side-Mount Flanged Filters

PWT-V-09-20	Top-Mount MPV Filter 0.9m dia.	0.64	2"/50mm	31.2	470	90
PWT-V-10-25	Top-Mount MPV Filter 1.0m dia.	0.79	2.5"	39.5	620	102
PWT-V-12-25	Top-Mount MPV Filter 1.2m dia.	1.13	2.5"	56.5	860	114

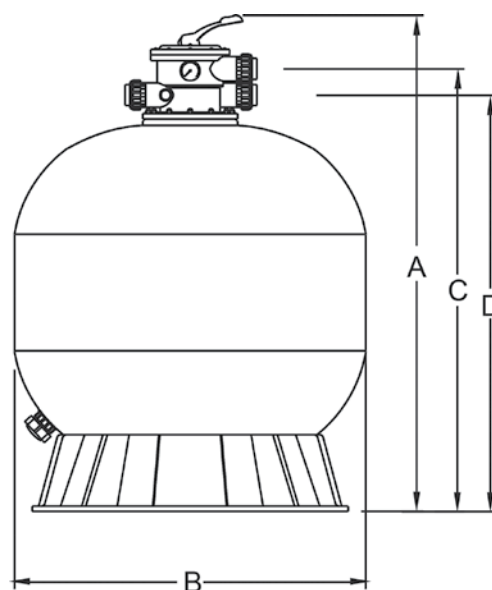
## DIMENSIONS

Model	A (mm)	B (mm)	C (mm)	D (mm)
-------	--------	--------	--------	--------

### Top-Mount Mpv Filters

PWT-V-09-20	1300	900	1172	1090
PWT-V-10-25	1434	1000	1410	1160
PWT-V-12-25	1634	1200	1620	1368

\*Terms and conditions apply



# PWT-S COMMERCIAL FILTER

FIBREGLASS TANK WITH TOP MOUNT MPV



## FEATURED HIGHLIGHTS

- Spun-woven, UV resistant fiberglass construction for exceptional strength, chemical resistance and long life.
- Max Operating Pressure 250kPa.
- Dual layers of Laterals.
- 2.5" (65mm) Barrel union connections.
- 1 year commercial warranty.\*

The Pentair S Series satisfies the demand of different water treatment including pools installed with in-floor cleaning systems, spas, fountains and public swimming pools. The bobbin-wound fiberglass reinforced tank is the most popular standard in the industry. UV resistant and equipped with a six-position multi-port valve.

## ORDERING INFORMATION

Model	Product	Effective Filter Area (m <sup>2</sup> )	Valve Conn. (in.)	Max Flow Rate (m <sup>3</sup> /hr)	Sand Req'd (kg)	Gross Wt. (kg)
-------	---------	---	-------------------	------------------------------------	-----------------	----------------

### Side-Mount Flanged Filters

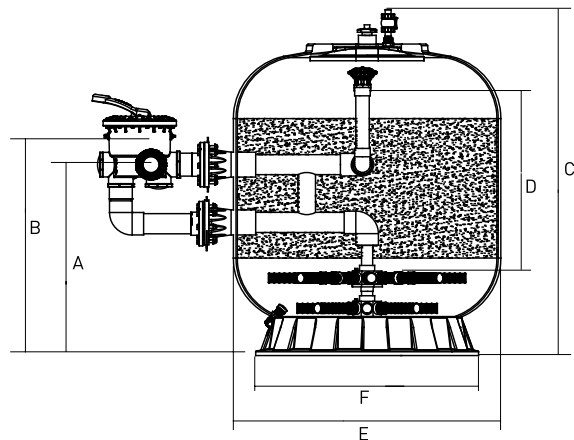
PWT-S-10-30	Side-Mount Filter 1.0m dia. 80mm MPV	0.82	3"/80mm	41	620	102
PWT-S-12-30	Side-Mount Filter 1.2m dia. 80mm MPV	1.17	3"/80mm	59	860	114

## DIMENSIONS

Model	A (mm)	B (mm)	C (mm)	D (mm)	E (mm)	F (mm)
-------	--------	--------	--------	--------	--------	--------

### Top-Mount MPV Filters

PWT-S-10-30	773	844	1220	480	1020	780
PWT-S-12-30	836	1079	1410	640	1220	1000



\*All dimensions in mm.

COMMERCIAL

AUTOMATION

FILTERS

VALVES

PUMPS

HEATERS & HEAT PUMPS

LIGHTING

CLEANERS

WATER FEATURES

CHEMICAL CONTROLLERS & SANITIZERS

WHITE GOODS

MAINTENANCE & SAFETY

LIFTS & DECK EQUIPMENT

SPA

# PWT-SDB COMMERCIAL FILTER

DEEP BED FIBREGLASS TANK WITH SIDE-MOUNT MULTIPORT VALVE



## FEATURED HIGHLIGHTS

- Spun-woven, UV resistant fiberglass construction for exceptional strength, chemical resistance and long life.
- Max Operating Pressure 250kPa.
- Dual layers of Laterals.
- 4" Sight Glass.
- Manhole for servicing.
- 50mm / 2" Drain.
- 1 year commercial warranty.\*

The Pentair Deep Bed Filters offer a more thorough filtration with a standard 1.0m or 1.2m deep sand bed. Giving high filtration performance for large domestic and commercial swimming pools.

## ORDERING INFORMATION

Model	Product	Effective Filter Area (m <sup>2</sup> )	Valve Conn. (in.)	Max Flow Rate (LPM)	Backwash Flow Rate (LPM)	Sand Req. (kg)	Carton Wt. (kg)
-------	---------	---	-------------------	---------------------	--------------------------	----------------	-----------------

### Side-Mount Deep Bed Filters 1M Sand Bed

PWT-SDB-10-07-20	Side-Mount Deep Bed Filter - 0.7m dia \ 1m Sand Bed \ 2" Vlv	0.38	2"	253	205	580	135
PWT-SDB-10-09-20	Side-Mount Deep Bed Filter - 0.9m dia \ 1m Sand Bed \ 2" Vlv	0.63	2"	420	340	957	235
PWT-SDB-10-09-25	Side-Mount Deep Bed Filter - 0.9m dia \ 1m Sand Bed \ 2.5" Vlv	0.63	2.5"	525	340	957	240
PWT-SDB-10-10-20	Side-Mount Deep Bed Filter - 1.0m dia \ 1m Sand Bed \ 2" Vlv	0.78	2"	520	420	1204	284
PWT-SDB-10-10-25	Side-Mount Deep Bed Filter - 1.0m dia \ 1m Sand Bed \ 2.5" Vlv	0.78	2.5"	650	420	1204	290
PWT-SDB-10-12-25	Side-Mount Deep Bed Filter - 1.2m dia \ 1m Sand Bed \ 2.5" Vlv	1.3	2.5"	910	550	1700	350

### Side-Mount Deep Bed Filters 1.2M Sand Bed

PWT-SDB-12-07-20	Side-Mount Deep Bed Filter - 0.7m dia \ 1.2m Sand Bed \ 2" Vlv	0.38	2"	253	205	696	150
PWT-SDB-12-09-20	Side-Mount Deep Bed Filter - 0.9m dia \ 1.2m Sand Bed \ 2" Vlv	0.63	2"	420	340	1146	258
PWT-SDB-12-09-25	Side-Mount Deep Bed Filter - 0.9m dia \ 1.2m Sand Bed \ 2.5" Vlv	0.63	2.5"	525	340	1146	263
PWT-SDB-12-10-20	Side-Mount Deep Bed Filter - 1.0m dia \ 1.2m Sand Bed \ 2" Vlv	0.78	2"	520	420	1436	330
PWT-SDB-12-10-25	Side-Mount Deep Bed Filter - 1.0m dia \ 1.2m Sand Bed \ 2.5" Vlv	0.78	2.5"	650	420	1436	336
PWT-SDB-10-12-25	Side-Mount Deep Bed Filter - 1.2m dia \ 1m Sand Bed \ 2.5" Vlv	1.3	2.5"	910	550	2100	390

\*Terms and conditions apply

# PWT-SDB COMMERCIAL FILTER

DEEP BED FIBREGLASS TANK WITH SIDE-MOUNT MULTIPORT VALVE

COMMERCIAL

AUTOMATION

FILTERS

VALVES

PUMPS

HEATERS &  
HEAT PUMPS

LIGHTING

CLEANERS

WATER  
FEATURES

CHEMICAL  
CONTROLLERS  
& SANITIZERS

WHITE  
GOODS

MAINTENANCE  
& SAFETY

LIFTS & DECK  
EQUIPMENT

SPA

Model	A (mm)	B (mm)	C (mm)	D (mm)	E (mm)	F (mm)
-------	--------	--------	--------	--------	--------	--------

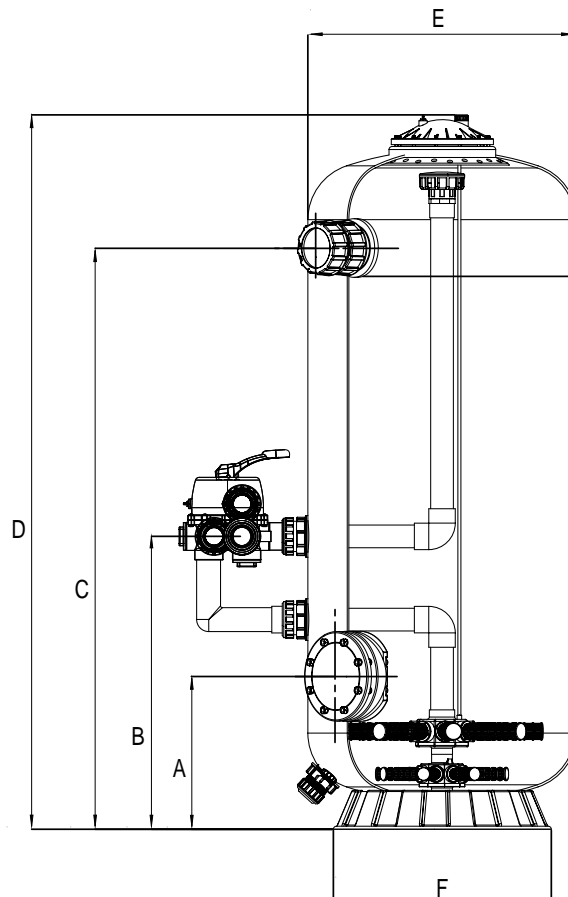
## Side-Mount Deep Bed Filters 1M Sand Bed

PWT-SDB-10-07-20	510	750	1270	1672	700	680
PWT-SDB-10-08-20	510	750	1270	1702	800	740
PWT-SDB-10-09-20	515	870	1270	1735	900	860
PWT-SDB-10-09-25	515	834	1270	1735	900	860
PWT-SDB-10-10-20	515	870	1270	1813	1000	960
PWT-SDB-10-10-25	515	1033	1270	1813	1000	960

## Side-Mount Deep Bed Filters 1.2M Sand Bed

PWT-SDB-12-07-20	510	750	1470	1872	700	680
PWT-SDB-12-08-20	510	750	1470	1902	800	740
PWT-SDB-12-09-20	515	870	1470	1935	900	860
PWT-SDB-12-09-25	515	834	1470	1935	900	860
PWT-SDB-12-10-20	515	870	1470	2013	1000	960
PWT-SDB-12-10-25	515	1033	1470	2013	1000	960

## DIMENSIONS



\*Terms and conditions apply

# PWT-NL COMMERCIAL FILTER

FIBREGLASS TANK WITH SIDE-MOUNT FLANGES



## FEATURED HIGHLIGHTS

- Spun-woven, UV resistant fiberglass construction for exceptional strength, chemical resistance and long life.
- Max Operating Pressure 250kPa or 400kPa.
- Dual layers of Laterals.
- 4" Sight Glass.
- Available with lateral or nozzle system.
- Union Drain.
- 50m<sup>3</sup>/m<sup>2</sup>/hr filtration rate (40m<sup>3</sup>/m<sup>2</sup>/hr for deep bed).
- 1 year commercial warranty.\*

The Pentair NL Series satisfies the demand of different water treatment including pools installed with in-floor cleaning systems, spas, fountains and public swimming pools.

## ORDERING INFORMATION

Model 250kPa (Laterals / Nozzles)	Model 400kPa (Latterals / Nozzles)	Product	Effective Filter Area (m <sup>2</sup> )	Valve Conn. (in.)	Max Flow Rate (m <sup>3</sup> /hr)	Sand Req'd (kg)	Gravel Req'd (kg)	Gross Wt. (kg)
--	---	---------	--	-------------------------	---	-----------------------	-------------------------	----------------------

### Side-Mount Flanged Filters

PWT-NL-12-25 (L/N)	PWT-NL-12-40 (L/N)	Side-Mount Flanged Filter 1.2m dia.	1.11	3"	55	900	300	114
PWT-NL-14-25 (L/N)	PWT-NL-14-40 (L/N)	Side-Mount Flanged Filter 1.4m dia.	1.54	4"	77	1350	450	195
PWT-NL-16-25 (L/N)	PWT-NL-16-40 (L/N)	Side-Mount Flanged Filter 1.6m dia.	2.06	4"	102	2300	700	234
PWT-NL-18-25 (L/N)	PWT-NL-18-40 (L/N)	Side-Mount Flanged Filter 1.8m dia.	2.52	6"	125	2900	900	362
PWT-NL-20-25 (L/N)	PWT-NL-20-40 (L/N)	Side-Mount Flanged Filter 2.0m dia.	2.97	6"	147	4000	1100	390
PWT-NL-22-25 (L/N)	PWT-NL-22-40 (L/N)	Side-Mount Flanged Filter 2.0m dia.	3.80	8"	190	5460	1440	440
PWT-NL-23-25 (L/N)	PWT-NL-23-40 (L/N)	Side-Mount Flanged Filter 2.3m dia.	4.43	8"	219	6000	1600	489
PWT-NL-25-25 (L/N)	PWT-NL-25-40 (L/N)	Side-Mount Flanged Filter 2.5m dia.	4.89	8"	240	6700	1800	552

### Side-Mount Deep Bed Flanged Filters

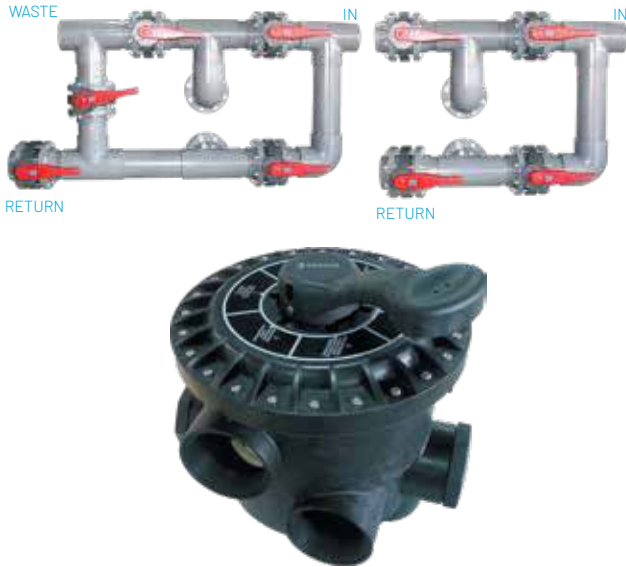
PWT-K-12-25 (L/N)	PWT-K-12-40 (L/N)	Side-Mount Deep Bed Flanged Filter 1.2m dia.	1.13	3"	45	1500	300	213
PWT-K-14-25 (L/N)	PWT-K-14-40 (L/N)	Side-Mount Deep Bed Flanged Filter 1.4m dia.	1.54	4"	61	2250	450	228
PWT-K-16-25 (L/N)	PWT-K-16-40 (L/N)	Side-Mount Deep Bed Flanged Filter 1.6m dia.	2.01	4"	80	2900	700	433
PWT-K-18-25 (L/N)	PWT-K-18-40 (L/N)	Side-Mount Deep Bed Flanged Filter 1.8m dia.	2.54	6"	101	3200	900	500
PWT-K-20-25 (L/N)	PWT-K-20-40 (L/N)	Side-Mount Deep Bed Flanged Filter 2.0m dia.	3.14	6"	125	4300	1100	712
PWT-K-22-25 (L/N)	PWT-K-22-40 (L/N)	Side-Mount Deep Bed Flanged Filter 2.0m dia.	3.8	8"	190	5460	1440	440
PWT-K-23-25 (L/N)	PWT-K-23-40 (L/N)	Side-Mount Deep Bed Flanged Filter 2.3m dia.	4.43	8"	175	7600	1600	594
PWT-K-25-25 (L/N)	PWT-K-25-40 (L/N)	Side-Mount Deep Bed Flanged Filter 2.5m dia.	4.9	8"	200	8600	1800	850

\*Terms and conditions apply

# PWT COMMERCIAL FILTER

FIBREGLASS TANK WITH SIDE-MOUNT FLANGES

COMMERCIAL



Product	Description
<b>Multiport Valves For NI And K Series Filters</b>	
PWT-NBV-30-4	4-Way Butterfly Valve 3" Ports
PWT-NBV-40-4	4-Way Butterfly Valve 4" Ports
PWT-NBV-60-4	4-Way Butterfly Valve 6" Ports
PWT-NBV-80-4	4-Way Butterfly Valve 8" Ports
PWT-NBV-30-5	5-Way Butterfly Valve 3" Ports
PWT-NBV-40-5	5-Way Butterfly Valve 4" Ports
PWT-NBV-60-5	5-Way Butterfly Valve 6" Ports
PWT-NBV-80-5	5-Way Butterfly Valve 8" Ports
PWT-MPV-30-6	6-Way Multiport Valve 3" Ports
PWT-MPV-40-6	6-Way Multiport Valve 4" Ports
PWT-MPV-30-6P	6-Way Multiport Valve 3" Ports, (with piping)
PWT-MPV-40-6P	6-Way Multiport Valve 4" Ports, (with piping)

## DIMENSIONS

Model	A (mm)	B (mm)	C (mm)	D (mm)	E (mm)
-------	--------	--------	--------	--------	--------

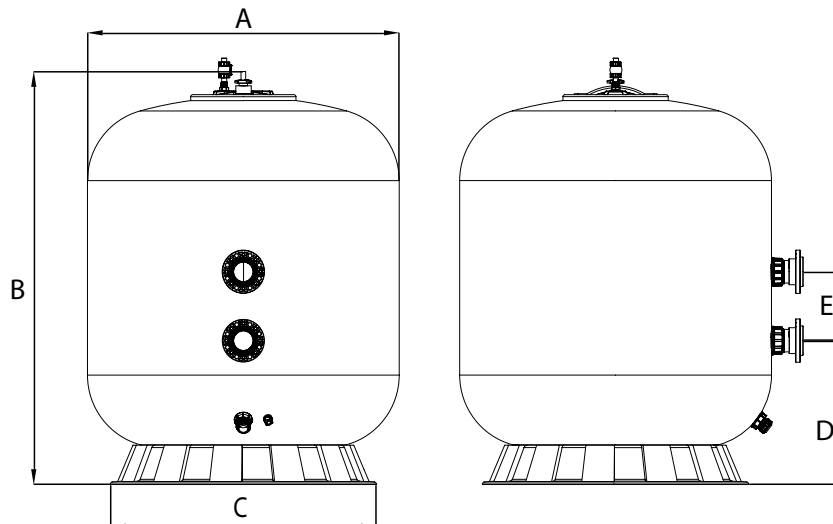
### Side-Mount Flanged Filters

PWT-NL-12	1190	1410	1000	565	350
PWT-NL-14	1400	1570	1220	565	350
PWT-NL-16	1620	1740	1365	650	350
PWT-NL-18	1790	2040	1630	690	415
PWT-NL-20	1945	2210	1630	770	415
PWT-NL-22	2200	2300	1800	885	480
PWT-NL-23	2375	2510	1800	950	550
PWT-NL-25	2495	2670	1800	1050	550

Model	A (mm)	B (mm)	C (mm)	D (mm)	E (mm)
-------	--------	--------	--------	--------	--------

### Side-Mount Deep Bed Flanged Filters

PWT-K-12	1200	2080	995	565	350
PWT-K-14	1400	2175	1220	565	350
PWT-K-16	1600	2310	1365	650	350
PWT-K-18	1800	2320	1630	690	415
PWT-K-20	2000	2460	1630	770	415
PWT-K-22	2200	2480	1800	900	480
PWT-K-23	2350	2720	1800	950	550
PWT-K-25	2500	2750	1800	1050	550



\*All dimensions in mm.

COMMERCIAL

# PWT COMMERCIAL FILTER

## HORIZONTAL FIBREGLASS TANK WITH SIDE FLANGES



### FEATURED HIGHLIGHTS

- Spun-woven, UV resistant fiberglass construction for exceptional strength, chemical resistance and long life.
- Max Operating Pressure 250kPa or 400kPa.
- Even spreads of laterals.
- 4" Sight Glass.
- Manhole for servicing.
- Union Drain.
- Air vent valve.
- In-built Manometer.
- 1 year commercial warranty.\*

The Pentair Horizontal Filters are suitable for high demand in filtration surface area, especially for commercial purposes. With long life and minimal servicing. Suitable for large scale water features, aquarium and commercial pool.

### ORDERING INFORMATION

Model (250kPa)	Model (400 kPa)	Product	Effective Filter Area (m <sup>2</sup> )	Valve Conn.	Max Flow Rate (m <sup>3</sup> /hr)	Gravel 1-2mm (kg)	Sand 0.5-0.8mm (kg)
----------------	-----------------	---------	---	-------------	------------------------------------	-------------------	---------------------

#### Horizontal Filters 1.2M Diameter 0.6M Sand Bed Depth

PWT-H-12-19-4-25	PWT-H-12-19-4-40	Horizontal Fibreglass Filter 1.2m x 1.9m (4")	1.96	4"	39	425	1100
PWT-H-12-19-6-25	PWT-H-12-19-6-40	Horizontal Fibreglass Filter 1.2m x 1.9m (6")	1.96	6"	79	425	1100
PWT-H-12-23-4-25	PWT-H-12-23-4-40	Horizontal Fibreglass Filter 1.2m x 2.3m (4")	2.42	4"	48	550	1425
PWT-H-12-23-6-25	PWT-H-12-23-6-40	Horizontal Fibreglass Filter 1.2m x 2.3m (6")	2.42	6"	97	550	1425
PWT-H-12-25-4-25	PWT-H-12-25-4-40	Horizontal Fibreglass Filter 1.2m x 2.5m (4")	2.65	4"	53	700	1750
PWT-H-12-25-6-25	PWT-H-12-25-6-40	Horizontal Fibreglass Filter 1.2m x 2.5m (6")	2.65	6"	107	700	1750
PWT-H-12-27-4-25	PWT-H-12-27-4-40	Horizontal Fibreglass Filter 1.2m x 2.7m (4")	2.87	4"	57	825	2075
PWT-H-12-27-6-25	PWT-H-12-27-6-40	Horizontal Fibreglass Filter 1.2m x 2.7m (6")	2.87	6"	115	825	2075
PWT-H-12-30-4-25	PWT-H-12-30-4-40	Horizontal Fibreglass Filter 1.2m x 3.0m (4")	3.21	4"	64	925	2325
PWT-H-12-30-6-25	PWT-H-12-30-6-40	Horizontal Fibreglass Filter 1.2m x 3.0m (6")	3.21	6"	129	925	2325

\*Terms and conditions apply



# PWT COMMERCIAL FILTER

HORIZONTAL FIBREGLASS TANK WITH SIDE FLANGES

COMMERCIAL

AUTOMATION

FILTERS

VALVES

PUMPS

HEATERS &  
HEAT PUMPS

LIGHTING

CLEANERS

WATER  
FEATURES

CHEMICAL  
CONTROLLERS  
& SANITIZERS

WHITE  
GOODS

MAINTENANCE  
& SAFETY

LIFTS & DECK  
EQUIPMENT

SPA

Model (250kPa)	Model (400 kPa)	Product	Effective Filter Area (m <sup>2</sup> )	Valve Conn.	Max Flow Rate (m <sup>3</sup> /hr)	Gravel 1-2mm (kg)	Sand 0.5-0.8mm (kg)
----------------	-----------------	---------	---	-------------	------------------------------------	-------------------	---------------------

## Horizontal Filters 1.4M Diameter 0.8M Sand Bed Depth

PWT-H-14-19-4-25	PWT-H-14-19-4-40	Horizontal Fibreglass Filter 1.4m x 1.9m (4")	2.23	4"	45	575	2100
PWT-H-14-19-6-25	PWT-H-14-19-6-40	Horizontal Fibreglass Filter 1.4m x 1.9m (6")	2.23	6"	89	575	2100
PWT-H-14-25-4-25	PWT-H-14-25-4-40	Horizontal Fibreglass Filter 1.4m x 2.5m (4")	3.02	4"	60	800	2825
PWT-H-14-25-6-25	PWT-H-14-25-6-40	Horizontal Fibreglass Filter 1.4m x 2.5m (6")	3.02	6"	121	800	2825
PWT-H-14-30-4-25	PWT-H-14-30-4-40	Horizontal Fibreglass Filter 1.4m x 3.0m (4")	3.67	4"	73	1000	3450
PWT-H-14-30-6-25	PWT-H-14-30-6-40	Horizontal Fibreglass Filter 1.4m x 3.0m (6")	3.67	6"	110	1000	3450
PWT-H-14-30-8-25	PWT-H-14-30-8-40	Horizontal Fibreglass Filter 1.4m x 3.0m (8")	3.67	8"	147	1000	3450

## Horizontal Filters 1.6M Diameter 1.0M Sand Bed Depth

PWT-H-16-19-4-25	PWT-H-16-19-4-40	Horizontal Fibreglass Filter 1.6m x 1.9m (4")	2.47	4"	49	600	2850
PWT-H-16-19-6-25	PWT-H-16-19-6-40	Horizontal Fibreglass Filter 1.6m x 1.9m (6")	2.47	6"	99	600	2850
PWT-H-16-25-6-25	PWT-H-16-25-6-40	Horizontal Fibreglass Filter 1.6m x 2.5m (6")	3.36	6"	101	850	3875
PWT-H-16-25-8-25	PWT-H-16-25-8-40	Horizontal Fibreglass Filter 1.6m x 2.5m (8")	3.36	8"	134	850	3875
PWT-H-16-30-6-25	PWT-H-16-30-6-40	Horizontal Fibreglass Filter 1.6m x 3.0m (6")	4.1	6"	123	1050	4750
PWT-H-16-30-8-25	PWT-H-16-30-8-40	Horizontal Fibreglass Filter 1.6m x 3.0m (8")	4.1	8"	164	1050	4750

## Horizontal Filters 1.8M Diameter 1.0M Sand Bed Depth

PWT-H-18-25-6-25	PWT-H-18-25-6-40	Horizontal Fibreglass Filter 1.8m x 2.5m (6")	3.74	6"	112	975	4850
PWT-H-18-25-8-25	PWT-H-18-25-8-40	Horizontal Fibreglass Filter 1.8m x 2.5m (8")	3.74	8"	150	975	4850
PWT-H-18-30-6-25	PWT-H-18-30-6-40	Horizontal Fibreglass Filter 1.8m x 3.0m (6")	4.58	6"	137	1225	5925
PWT-H-18-30-8-25	PWT-H-18-30-8-40	Horizontal Fibreglass Filter 1.8m x 3.0m (8")	4.58	8"	183	1225	5925
PWT-H-18-35-8-25	PWT-H-18-35-8-40	Horizontal Fibreglass Filter 1.8m x 3.5m (8")	5.41	8"	162	1475	7000
PWT-H-18-35-10-25	PWT-H-18-35-10-40	Horizontal Fibreglass Filter 1.8m x 3.5m (10")	5.41	10"	216	1475	7000
PWT-H-18-40-6-25	PWT-H-18-40-6-40	Horizontal Fibreglass Filter 1.8m x 4.0m (6")	6.25	6"	125	1700	8075
PWT-H-18-40-8-25	PWT-H-18-40-8-40	Horizontal Fibreglass Filter 1.8m x 4.0m (8")	6.25	8"	187	1700	8075
PWT-H-18-40-10-25	PWT-H-18-40-10-40	Horizontal Fibreglass Filter 1.8m x 4.0m (10")	6.25	10"	250	1700	8075

## Horizontal Filters 2.0M Diameter 1.2M Sand Bed Depth

PWT-H-20-25-6-25	PWT-H-20-25-6-40	Horizontal Fibreglass Filter 2.0m x 2.5m (6")	4.34	6"	130	1050	6575
PWT-H-20-25-8-25	PWT-H-20-25-8-40	Horizontal Fibreglass Filter 2.0m x 2.5m (8")	4.34	8"	174	1050	6575
PWT-H-20-30-6-25	PWT-H-20-30-6-40	Horizontal Fibreglass Filter 2.0m x 3.0m (6")	5.3	6"	159	1300	8025
PWT-H-20-30-8-25	PWT-H-20-30-8-40	Horizontal Fibreglass Filter 2.0m x 3.0m (8")	5.3	8"	212	1300	8025
PWT-H-20-35-6-25	PWT-H-20-35-6-40	Horizontal Fibreglass Filter 2.0m x 3.5m (6")	6.25	6"	125	1550	9475
PWT-H-20-35-8-25	PWT-H-20-35-8-40	Horizontal Fibreglass Filter 2.0m x 3.5m (8")	6.25	8"	187	1550	9475
PWT-H-20-35-10-25	PWT-H-20-35-10-40	Horizontal Fibreglass Filter 2.0m x 3.5m (10")	6.25	10"	250	1550	9475
PWT-H-20-40-6-25	PWT-H-20-40-6-40	Horizontal Fibreglass Filter 2.0m x 4.0m (6")	7.21	6"	144	1800	10925
PWT-H-20-40-8-25	PWT-H-20-40-8-40	Horizontal Fibreglass Filter 2.0m x 4.0m (8")	7.21	8"	216	1800	10925
PWT-H-20-40-10-25	PWT-H-20-40-10-40	Horizontal Fibreglass Filter 2.0m x 4.0m (10")	7.21	10"	288	1800	10925
PWT-H-20-45-8-25	PWT-H-20-45-8-40	Horizontal Fibreglass Filter 2.0m x 4.5m (8")	8.16	8"	163	2075	12375
PWT-H-20-45-10-25	PWT-H-20-45-10-40	Horizontal Fibreglass Filter 2.0m x 4.5m (10")	8.16	10"	326	2075	12375

# PWT COMMERCIAL FILTER

## HORIZONTAL FIBREGLASS TANK WITH SIDE FLANGES

Model (250kPa)	Model (400 kPa)	Product	Effective Filter Area (m <sup>2</sup> )	Valve Conn.	Max Flow Rate (m <sup>3</sup> / hr)	Gravel 1-2mm (kg)	Sand 0.5-0.8mm (kg)
-------------------	--------------------	---------	---	----------------	---	-------------------------	---------------------------

### Horizontal Filters 2.35M Diameter 1.2M Sand Bed Depth

PWT-H-23-30-6-25	PWT-23-30-6-40	Horizontal Fibreglass Filter 2.35m x 3.0m (6")	5.94	6"	119	2575	9300
PWT-H-23-30-8-25	PWT-23-30-8-40	Horizontal Fibreglass Filter 2.35m x 3.0m (8")	5.94	8"	178	2575	9300
PWT-H-23-30-10-25	PWT-23-30-10-40	Horizontal Fibreglass Filter 2.35m x 3.0m (10")	5.94	10"	238	2575	9300
PWT-H-23-35-6-25	PWT-23-35-6-40	Horizontal Fibreglass Filter 2.35m x 3.5m (6")	7.06	6"	141	3125	11050
PWT-H-23-35-8-25	PWT-23-35-8-40	Horizontal Fibreglass Filter 2.35m x 3.5m (8")	7.06	8"	212	3125	11050
PWT-H-23-35-10-25	PWT-23-35-10-40	Horizontal Fibreglass Filter 2.35m x 3.5m (10")	7.06	10"	282	3125	11050
PWT-H-23-40-8-25	PWT-23-40-8-40	Horizontal Fibreglass Filter 2.35m x 4.0m (8")	8.17	8"	163	3650	12800
PWT-H-23-40-10-25	PWT-23-40-10-40	Horizontal Fibreglass Filter 2.35m x 4.0m (10")	8.17	10"	327	3650	12800
PWT-H-23-45-8-25	PWT-23-45-8-40	Horizontal Fibreglass Filter 2.35m x 4.5m (8")	9.28	8"	186	4200	14525
PWT-H-23-45-10-25	PWT-23-45-10-40	Horizontal Fibreglass Filter 2.35m x 4.5m (10")	9.28	10"	371	4200	14525
PWT-H-23-50-8-25	PWT-23-50-8-40	Horizontal Fibreglass Filter 2.35m x 5.0m (8")	10.4	8"	208	4750	16250
PWT-H-23-50-10-25	PWT-23-50-10-40	Horizontal Fibreglass Filter 2.35m x 5.0m (10")	10.4	10"	312	4750	16250
PWT-H-23-50-12-25	PWT-23-50-12-40	Horizontal Fibreglass Filter 2.35m x 5.0m (12")	10.4	12"	416	4750	16250

### Horizontal Filters 2.5M Diameter 1.3M Sand Bed Depth

PWT-H-25-35-6-25	PWT-25-35-6-40	Horizontal Fibreglass Filter 2.5m x 3.5m (6")	7.34	6"	149	3175	11675
PWT-H-25-35-8-25	PWT-25-35-8-40	Horizontal Fibreglass Filter 2.5m x 3.5m (8")	7.34	8"	223	3175	11675
PWT-H-25-35-10-25	PWT-25-35-10-40	Horizontal Fibreglass Filter 2.5m x 3.5m (10")	7.34	10"	297	3175	11675
PWT-H-25-40-8-25	PWT-25-40-8-40	Horizontal Fibreglass Filter 2.5m x 4.0m (8")	8.62	8"	172	3725	13500
PWT-H-25-40-10-25	PWT-25-40-10-40	Horizontal Fibreglass Filter 2.5m x 4.0m (10")	8.62	10"	345	3725	13500
PWT-H-25-45-8-25	PWT-25-45-8-40	Horizontal Fibreglass Filter 2.5m x 4.5m (8")	9.8	8"	196	4300	15350
PWT-H-25-45-10-25	PWT-25-45-10-40	Horizontal Fibreglass Filter 2.5m x 4.5m (10")	9.8	10"	294	4300	15350
PWT-H-25-45-12-25	PWT-25-45-12-40	Horizontal Fibreglass Filter 2.5m x 4.5m (12")	9.8	12"	392	4300	15350
PWT-H-25-50-8-25	PWT-25-50-8-40	Horizontal Fibreglass Filter 2.5m x 5.0m (8")	10.98	8"	220	4850	17200
PWT-H-25-50-10-25	PWT-25-50-10-40	Horizontal Fibreglass Filter 2.5m x 5.0m (10")	10.98	10"	329	4850	17200
PWT-H-25-50-12-25	PWT-25-50-12-40	Horizontal Fibreglass Filter 2.5m x 5.0m (12")	10.98	12"	439	4850	17200

### Horizontal Filters 3.0M Diameter 1.5M Sand Bed Depth

PWT-H-30-35-8-25	PWT-30-35-8-40	Horizontal Fibreglass Filter 3.0m x 3.5m (8")	8.98	8"	180	4525	17850
PWT-H-30-35-10-25	PWT-30-35-10-40	Horizontal Fibreglass Filter 3.0m x 3.5m (10")	8.98	10"	270	4525	17850
PWT-H-30-35-12-25	PWT-30-35-12-40	Horizontal Fibreglass Filter 3.0m x 3.5m (12")	8.98	12"	360	4525	17850
PWT-H-30-40-8-25	PWT-30-40-8-40	Horizontal Fibreglass Filter 3.0m x 4.0m (8")	10.4	8"	208	5300	20675
PWT-H-30-40-10-25	PWT-30-40-10-40	Horizontal Fibreglass Filter 3.0m x 4.0m (10")	10.4	10"	312	5300	20675
PWT-H-30-40-12-25	PWT-30-40-12-40	Horizontal Fibreglass Filter 3.0m x 4.0m (12")	10.4	12"	416	5300	20675
PWT-H-30-45-8-25	PWT-30-45-8-40	Horizontal Fibreglass Filter 3.0m x 4.5m (8")	11.82	8"	236	6100	23500
PWT-H-30-45-10-25	PWT-30-45-10-40	Horizontal Fibreglass Filter 3.0m x 4.5m (10")	11.82	10"	355	6100	23500
PWT-H-30-45-12-25	PWT-30-45-12-40	Horizontal Fibreglass Filter 3.0m x 4.5m (12")	11.82	12"	473	6100	23500
PWT-H-30-50-8-25	PWT-30-50-8-40	Horizontal Fibreglass Filter 3.0m x 5.0m (8")	13.24	8"	265	6875	26300
PWT-H-30-50-10-25	PWT-30-50-10-40	Horizontal Fibreglass Filter 3.0m x 5.0m (10")	13.24	10"	397	6875	26300
PWT-H-30-50-12-25	PWT-30-50-12-40	Horizontal Fibreglass Filter 3.0m x 5.0m (12")	13.24	12"	530	6875	26300

# PWT COMMERCIAL FILTER

HORIZONTAL FIBREGLASS TANK WITH SIDE FLANGES

## DIMENSIONS

Model	B (mm)	C (mm)	D (mm)	E (mm)	F (mm)	H (mm)	J (mm)	2.5 bar Weight (kg)	4 bar Weight (kg)
-------	--------	--------	--------	--------	--------	--------	--------	---------------------	-------------------

### Horizontal Filters 1.2M Diameter 0.6M Sand Bed Depth

PWT-H-12-19	747	325	1200	1100	1190	1900	1500	270	353
PWT-H-12-23	747	325	1200	1100	1590	2300	1500	324	418
PWT-H-12-25	747	325	1200	1100	1790	2500	1500	354	453
PWT-H-12-27	747	325	1200	1100	1990	2700	1500	382	438
PWT-H-12-30	747	325	1200	1100	2290	3000	1500	431	542

### Horizontal Filters 1.4M Diameter 0.8M Sand Bed Depth

PWT-H-14-19	847	390	1400	1130	1340	1900	1700	360	461
PWT-H-14-25	847	390	1400	1130	1840	2500	1700	413	532
PWT-H-14-30	847	390	1400	1130	2340	3000	1700	522	657

### Horizontal Filters 1.6M Diameter 1.0M Sand Bed Depth

PWT-H-16-19	945	475	1600	1440	1210	1900	1900	414	535
PWT-H-16-25	945	475	1600	1440	1710	2500	1900	516	658
PWT-H-16-30	945	475	1800	1440	2210	3000	1900	611	771

### Horizontal Filters 1.8M Diameter 1.0M Sand Bed Depth

PWT-H-18-25	1100	550	1800	1380	1560	2500	2170	570	777
PWT-H-18-30	1100	550	1800	1380	2060	3000	2170	701	888
PWT-H-18-35	1100	550	1800	1380	2560	3500	2170	811	1020
PWT-H-18-40	1100	550	1800	1380	3060	4000	2170	912	1140

### Horizontal Filters 2.0M Diameter 1.2M Sand Bed Depth

PWT-H-20-25	1200	710	2000	1720	1380	2500	2370	710	906
PWT-H-20-30	1200	710	2000	1720	1880	3000	2370	804	1024
PWT-H-20-35	1200	710	2000	1720	2380	3500	2370	898	1140
PWT-H-20-40	1200	710	2000	1720	2880	4000	2370	1001	1265
PWT-H-20-45	1200	710	2000	1720	3380	4500	2370	1093	1380

### Horizontal Filters 2.35M Diameter 1.2M Sand Bed Depth

PWT-H-23-30	1390	710	2350	1950	1270	3000	2730	920	1195
PWT-H-23-35	1390	710	2350	1950	1770	3500	2730	1035	1335
PWT-H-23-40	1390	710	2350	1950	2270	4000	2730	1178	1505
PWT-H-23-45	1390	710	2350	1950	2770	4500	2730	1362	1715
PWT-H-23-50	1390	710	2350	1950	3270	5000	2730	1562	1942

### Horizontal Filters 2.5M Diameter 1.3M Sand Bed Depth

PWT-H-25-35	1480	710	2500	2120	1850	3500	2900	1075	1403
PWT-H-25-40	1480	710	2500	2120	2350	4000	2900	1363	1587
PWT-H-25-45	1480	710	2500	2120	2850	4500	2900	1442	1812
PWT-H-25-50	1480	710	2500	2120	3350	5000	2900	1610	2022

### Horizontal Filters 3.0M Diameter 1.5M Sand Bed Depth

PWT-H-30-35	1730	710	3000	2600	1880	3500	3410	1386	1783
PWT-H-30-40	1730	710	3000	2600	2380	4000	3410	1582	2012
PWT-H-30-45	1730	710	3000	2600	2880	4500	3410	1777	2240
PWT-H-30-50	1730	710	3000	2600	3380	5000	3410	1972	2470

COMMERCIAL

AUTOMATION

FILTERS

VALVES

PUMPS

HEATERS & HEAT PUMPS

LIGHTING

CLEANERS

WATER FEATURES

CHEMICAL CONTROLLERS & SANITIZERS

WHITE GOODS

MAINTENANCE & SAFETY

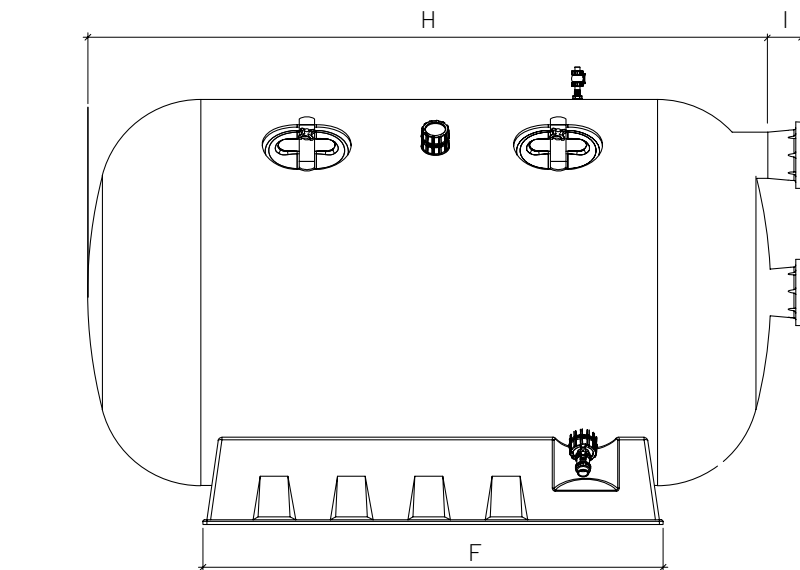
LIFTS & DECK EQUIPMENT

SPA

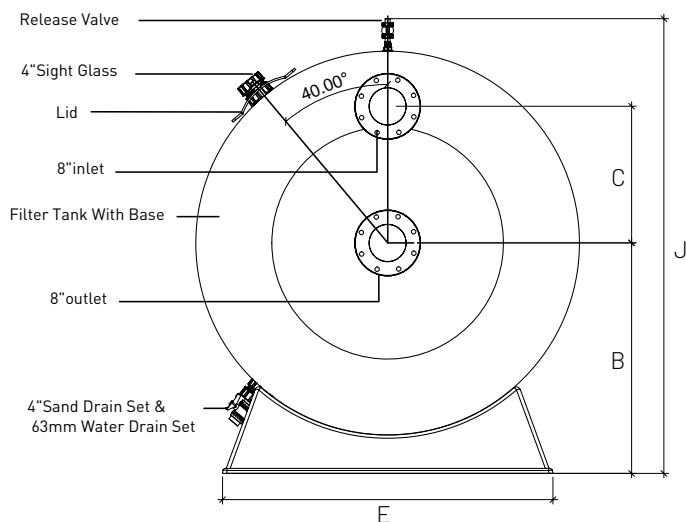
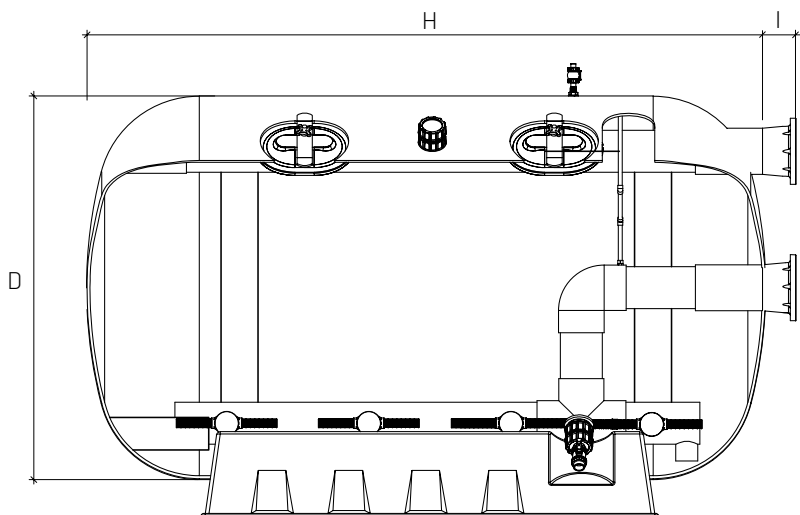
# PWT COMMERCIAL FILTER

HORIZONTAL FIBREGLASS TANK WITH SIDE FLANGES

COMMERCIAL



Flange	I
8" (200mm)	180mm
4" (150mm)	160mm
8" (200mm)	180mm
10" (250mm)	180mm
12" (300mm)	180mm



# STARK™ SS SERIES FILTERS

## HORIZONTAL SAND FILTRATION SYSTEMS

COMMERCIAL

AUTOMATION

FILTERS

VALVES

PUMPS

HEATERS & HEAT PUMPS

LIGHTING

CLEANERS

WATER FEATURES

CHEMICAL CONTROLLERS & SANITIZERS

WHITE GOODS

MAINTENANCE & SAFETY

LIFTS & DECK EQUIPMENT

SPA



6" Backwash Valve

### FEATURED HIGHLIGHTS

- All vessel models are NSF 50 listed
- End-manways provide easy access for service and maintenance
- Schedule 80 Face Piping is fully assembled in our factory for ease of installation
- Clear backwash valve (most models) provides for intuitive operation and troubleshooting
- Stark valves and several control options make backwashing simple
- Unparalleled tank construction and exterior all-weather coating

The Stark SS Series Filter Systems are designed with ease of installation, maintenance and minimal floor space in mind. Vessels are side-by-side, with manway access on the ends and all piping above the vessel(s). All piping ships fully solvent-welded and pre-assembled to ensure fit. 100 psi vessel pressure rating.

### ORDERING INFORMATION

CAPACITY INFORMATION												
# Tanks	*System Number	Tank Size	Filtration Area (Sq. Ft.)	Flow (GPM)		Backwash Valve Size/Type	'W'	'L'	'Hs'	Total Media (cu ft)	Operating Weight (lbs.)	Shipping Weight (lbs.)
				12 gpm/sf	15 gpm/sf							
1	RS1-60-04	36" x 60"	13.5	162	203	4" Gray	38"	63"	68"	15.5	4,600	845
	RS1-72-04	36" x 72"	17.2	206	258	4" Gray	38"	75"	68"	19.0	5,500	915
	SS1-48-04	42" x 48"	12.8	154	192	4" Gray	44"	51"	74"	16.5	4,900	805
	SS1-72-06	42" x 72"	20.0	240	300	6" Clear	44"	75"	86"	26.0	7,500	1,105
	SS1-96-06	42" x 96"	27.0	324	405	6" Clear	44"	99"	86"	36.0	9,800	1,240
2	RS2-60-06	36" x 60"	27.0	324	405	4" Gray	77"	63"	70"	31.0	9,400	1,650
	RS2-72-06	36" x 72"	34.4	413	516	4" Gray	77"	75"	70"	38.0	11,000	1,830
	SS2-48-06	42" x 48"	25.6	307	384	4" Gray	90"	51"	76"	33.0	10,000	1,650
	SS2-72-06	42" x 72"	40.0	480	600	6" Clear	90"	75"	87"	52.0	14,800	2,060
	SS2-96-06	42" x 96"	54.0	648	810	6" Clear	90"	99"	87"	72.0	19,400	2,380
3	RS3-60-06	36" x 60"	40.5	486	608	4" Gray	116"	63"	70"	46.5	14,200	2,420
	RS3-72-06	36" x 72"	51.6	619	774	4" Gray	116"	75"	70"	57.0	16,800	2,670
	SS3-48-06	42" x 48"	38.4	648	576	4" Gray	136"	51"	76"	49.5	14,900	2,420
	SS3-72-08	42" x 72"	60.0	720	900	6" Clear	136"	75"	88"	78.0	22,400	3,140
	SS3-96-08	42" x 96"	81.0	972	1215	6" Clear	136"	99"	88"	108.0	29,400	3,620
4	RS4-60-06	36" x 60"	54.0	648	810	4" Gray	155"	63"	70"	62.0	18,900	3,200
	RS4-72-08	36" x 72"	68.8	826	1032	4" Gray	155"	75"	76"	76.0	22,300	3,560
	SS4-48-06	42" x 48"	51.2	614	768	4" Gray	182"	51"	76"	66.0	19,900	3,200
	SS4-72-08	42" x 72"	80.0	960	1200	6" Clear	182"	75"	88"	104.0	30,200	4,470
	SS4-96-10	42" x 96"	108.0	1296	1620	6" Clear	182"	99"	88"	144.0	39,900	5,145
5	SS5-72-10	42" x 72"	100.0	1200	1500	6" Clear	229"	75"	88"	130.0	38,400	5,650
	SS5-96-10	42" x 96"	135.0	1620	2025	6" Clear	229"	99"	88"	180.0	49,900	6,450
6	SS6-72-10	42" x 72"	120.0	1440	1800	6" Clear	275"	75"	88"	156.0	46,000	6,800
	SS6-96-12	42" x 96"	162.0	1944	2430	6" Clear	275"	99"	97"	216.0	60,800	7,900

# STARK™ SS SERIES FILTERS (CONT'D)

## HORIZONTAL SAND FILTRATION SYSTEMS

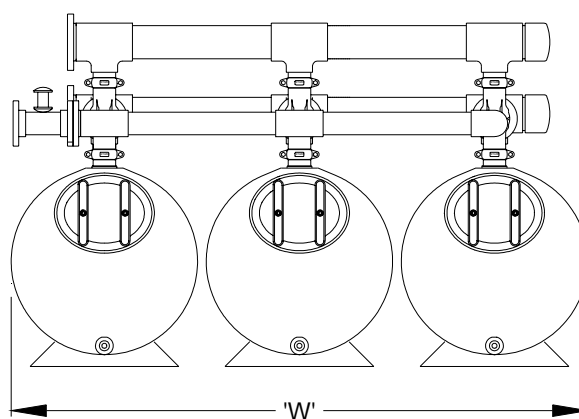
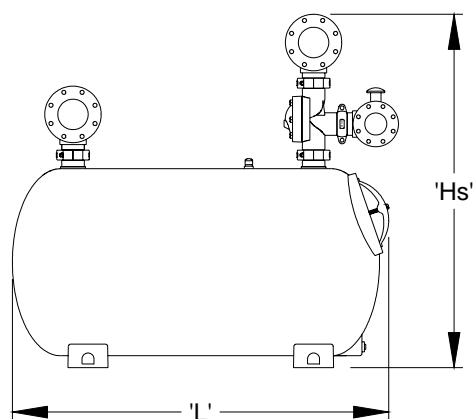
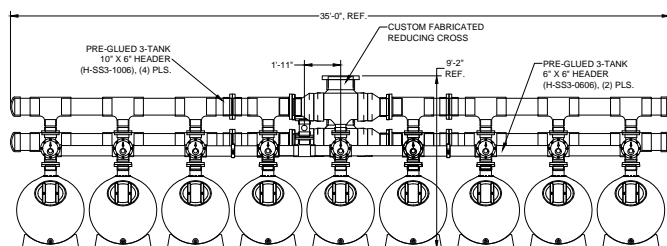


Certified to NSF/ANSI Standard 55



Shell & Winding: Robust Dual-Wall Construction for piece of mind and long service life. Entire vessel including domes is wound on a computer-controlled, multi-axis machine.

Custom Systems Available for your Application.



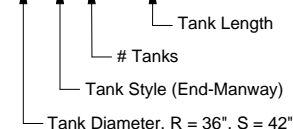
### SS Series System Numbering

36" and 42" Dia. Vessels

Influent / Effluent Connection Size

Backwash Control: A = Auto (CA100),  
M = Manual (CM200), S = Semi (CS400)

## SS3-72A-06



## DIMENSIONS AND PERFORMANCE

### SS Series Systems Include:

- Manway viewport standard on all Stark tanks
- Stark backwash valves (1 per tank)
- Pre-glued piping utilizing grooved couplings
- Stark diaphragm-style priority valve (on dual-tank systems)

### With Fully Automatic (CA100) Control Option

- Effluent Flow Sensor/Saddle
- Temperature Probe

### Additional Adders

- Pressure Booster System (PBS01)
- Manual or Motorized Butterfly backwash
- Throttling valve for 3+ tank systems
- Advanced backwash controls

### Notes:

1. Standard header sizing shown is based on 10 fps max. at 15 gpm per sq. ft.
2. For more dimensional detail, consult the appropriate Cut Sheet in our Design Manual.
3. For special requirements including non-standard header sizes / locations and systems consisting of more vessels than shown, please contact our Applications Engineering at PoolApplicationRFQ@pentair.com.

# STARK™ S SERIES FILTERS

## HORIZONTAL SAND FILTRATION SYSTEMS



SB2-144M-08ST



SA2-144M-08

### FEATURED HIGHLIGHTS

- All vessel models are NSF listed
- Solid composite construction - does not employ a bladder
- Vessels can be stacked to minimize footprint. Designed for Seismic Zone 4 loading with additional supports or braces
- Vessels feature proprietary PARACOTE® All-Weather Exterior Coasting with UV Inhibitors
- Several backwash control options available
- Multiple influent and effluent pipe locations available - A, B and C style

**S Series Systems include:** Manway with Viewport standard on all Stark Tanks; Stark backwash valves (1 per tanks); Stark diaphragm-style priority valve (on dual-tank systems).

**Additional Adders:** Pressure Booster System (PBS01); Manual or Motorized Butterfly Backwash; Throttling Valve for 3+ tank systems; Advanced backwash controls.

**For use in commercial pool, water park, and many aquarium applications. Standard systems accommodate flows from 135 to 2,500 GPM - custom systems accommodate unlimited flows.**

All Stark S Series vessels are corrosion-proof, composite vessels. Systems are available with 100 psi rated filament-wound vessels. All vessels are 42" diameter to offer the best combination of cost and effectiveness for recreational water. Stark Diaphragm Valves and Controls are Standard; butterfly-valve options (including linked valves) are also available.

### ORDERING INFORMATION

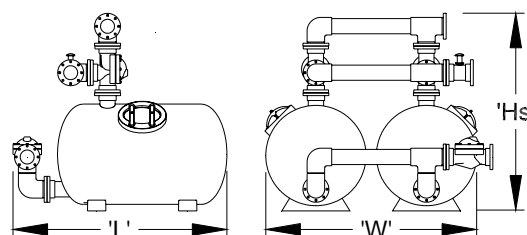
CAPACITY INFORMATION (INDEPENDENT OF STYLE / CONFIGURATION)										DIMENSIONS - SIDE-BY-SIDE			
# Tanks	General System Number	Tank Size	Filtration Area (Sq. Ft.)	Flow (GPM) 12 gpm/sf	Flow (GPM) 15 gpm/sf	Backwash Valve Size/Type	Total Media (cu ft)	Operating Weight (lbs.)	Shipping Weight (lbs.)	Descriptive System Number	Single-Tank and Side-by-Side Systems		
											'W'	'L'	'Hs'
1	S1-48	42" x 48"	12.8	154	192	4" Gray	16.5	5,280	870	*SC1-48-04	44"	82"	47"
	S1-72	42" x 72"	20.0	240	300	6" Clear	26.0	7,920	1,110	*SA1-72-06	44"	107"	67"
	S1-96	42" x 96"	27.0	324	405	6" Clear	36.0	10,560	1,350	*SA1-96-06	44"	122"	67"
	S1-120	42" x 120"	35.0	420	525	6" Clear	45.5	13,200	1,590	SA1-120-06	44"	146"	67"
	S1-144	42" x 144"	41.0	492	615	6" Clear	55.5	15,840	1,830	SA1-144-06	44"	170"	67"
2	S2-48	42" x 48"	25.6	307	384	4" Gray	33.0	10,560	1,740	*SC2-48-06	96"	80"	56"
	S2-72	42" x 72"	40.0	480	600	6" Clear	52.0	15,840	2,220	*SA2-72-06	99"	92"	86"
	S2-96	42" x 96"	54.0	648	810	6" Clear	72.0	21,120	2,700	*SA2-96-06	99"	116"	86"
	S2-120	42" x 120"	70.0	840	1050	6" Clear	91.0	26,400	3,180	SA2-120-08	110"	144"	91"
	S2-144	42" x 144"	82.0	984	1230	6" Clear	111.0	31,680	3,660	SA2-144-08	110"	168"	91"
3	S3-48	42" x 48"	38.4	461	576	4" Gray	49.5	15,840	2,610	*SC3-48-06	152"	80"	56"
	S3-72	42" x 72"	60.0	720	900	6" Clear	78.0	23,760	3,330	*SA3-72-08	152"	94"	91"
	S3-96	42" x 96"	81.0	984	1215	6" Clear	108.0	31,680	4,050	*SA3-96-08	152"	117"	91"
	S3-120	42" x 120"	105.0	1260	1575	6" Clear	136.5	39,600	4,770	SA3-120-10	152"	138"	96"
	S3-144	42" x 144"	123.0	1476	1845	6" Clear	166.5	47,520	5,490	SA3-144-10	152"	162"	96"
4	S4-48	42" x 48"	51.2	614	768	4" Gray	66.0	21,120	3,480	*SC4-48-06	200"	80"	56"
	S4-72	42" x 72"	80.0	960	1200	6" Clear	104.0	31,680	4,440	*SA4-72-08	200"	94"	91"
	S4-96	42" x 96"	108.0	1296	1620	6" Clear	144.0	42,240	5,400	*SA4-96-10	200"	118"	96"
	S4-120	42" x 120"	140.0	1680	2100	6" Clear	182.0	52,800	6,360	SA4-120-10	200"	142"	96"
	S4-144	42" x 144"	164.0	1968	2460	6" Clear	222.0	63,360	7,320	SA4-144-12	200"	168"	100"

# STARK™ S SERIES FILTERS (CONT'D)

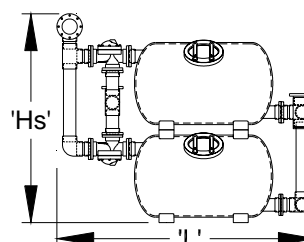
## HORIZONTAL SAND FILTRATION SYSTEMS

### DIMENSIONS AND PERFORMANCE

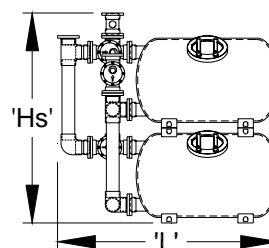
DIMENSIONS - STACKED SYSTEMS							
Style	# Tanks	Descriptive System Number	Filtration Area (Sq. Ft.)	'W'	'L'	'Hs'	
Stacked Systems - B-Style	2	SB2-48-06ST	25.6	44"	98"	107"	
		SB2-72-06ST	40.0	44"	135"	109"	
		SB2-96-06ST	54.0	44"	159"	109"	
		SB2-120-08ST	70.0	44"	191"	109"	
		SB2-144-08ST	82.0	44"	215"	109"	
Stacked Systems - B-Style	4	SB4-48-06ST	51.2	92"	99"	108"	
		SB4-72-08ST	80.0	92"	140"	111"	
		SB4-96-10ST	108.0	100"	166"	119"	
		SB4-120-10ST	140.0	100"	190"	119"	
		SB4-144-12ST	164.0	104"	217"	122"	
Stacked Systems - C-Style	2	SC2-48-06ST	25.6	50"	80"	107"	
		SC2-72-06ST	40.0	50"	114"	109"	
		SC2-96-06ST	54.0	50"	138"	109"	
		SC2-120-08ST	70.0	53"	165"	109"	
		SC2-144-08ST	82.0	53"	189"	109"	
	Stacked Systems - C-Style	4	SC4-48-06ST	51.2	92"	88"	108"
			SC4-72-08ST	80.0	92"	122"	111"
			SC4-96-10ST	108.0	100"	146"	119"
			SC4-120-10ST	140.0	100"	169"	119"
		SC4-144-12ST	164.0	104"	193"	122"	



A-Style Side-by-Side

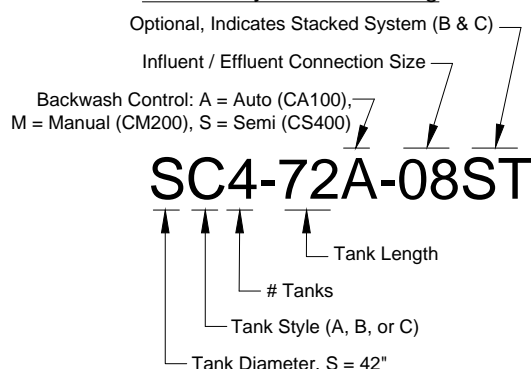


B-Style Stacked



C-Style Stacked

#### S Series System Numbering



#### Notes:

- Standard header sizing shown is based on 10 fps max. at 15 gpm per sq. ft.
- For more dimensional detail, consult the appropriate Cut Sheet in our Design Manual.
- S-48 Vessels are not available in A Style. Dimensions above represent C Style.
- For special requirements including non-standard header sizes / locations and systems consisting of more vessels than shown, please contact our Applications Engineering at PoolApplicationRFQ@pentair.com.



# STARK™ 5S SERIES FILTERS

## HORIZONTAL SAND FILTRATION SYSTEMS

COMMERCIAL

AUTOMATION

FILTERS

VALVES

PUMPS

HEATERS & HEAT PUMPS

LIGHTING

CLEANERS

WATER FEATURES

CHEMICAL CONTROLLERS & SANITIZERS

WHITE GOODS

MAINTENANCE & SAFETY

LIFTS & DECK EQUIPMENT

SPA



### FEATURED HIGHLIGHTS

- All vessel models are NSF listed
- Manway cover has integral viewport for internal filter observation
- Solid composite construction - does not employ a bladder
- Schedule 80 Face Piping is fully assembled
- Vessels feature proprietary PARACOTE® All-Weather Exterior Coasting with UV Inhibitors
- Vessels greater than 40 SF utilize an innovative 8" air-actuated backwash valve
- Several backwash control options available
- Butterfly-valve options including linked tandem valves are also available.

The 5S Series Filter Systems are designed as an extension to the industry-leading SS Series Filtration Systems, with many of the same features including fully-assembled Schedule 80 Face Piping, with the addition of new innovations. The 5S Series Filter Systems include the only 8" backwash valve in the industry, and air valve actuation for the smoothest, quickest valve movement.

### ORDERING INFORMATION

CAPACITY INFORMATION												
# Tanks	*System	Internal Tank	Filtration Area	Flow (GPM)	Flow (GPM)	Backwash Valve				Total Media	Operating Weight	Shipping Weight
	Number	Size	(Sq. Ft.)	12 gpm/sf	15 gpm/sf	Size/Type	'W'	'L'	'Hs'	(cu ft)	(lbs.)	(lbs.)
1	5S1-30-06	60" X 78"	30.0	360	450	6" Clear	62"	83"	106"	63.5	15,000	2,000
	5S1-35-06	60" X 90"	35.0	420	525	6" Clear	62"	95"	106"	74.3	17,000	2,300
	5S1-40-06	60" X 102"	40.0	480	600	6" Clear	62"	107"	106"	85.4	20,000	2,600
	5S1-45-08	60" X 114"	45.0	540	675	8" Gray	62"	119"	123"	96.4	23,000	2,900
	5S1-50-08	60" X 126"	50.0	600	750	8" Gray	62"	131"	123"	107.4	25,000	3,200
2	5S2-30-08	60" X 78"	60.0	720	900	6" Clear	128"	83"	111"	127.0	30,000	4,100
	5S2-35-08	60" X 90"	70.0	840	1,050	6" Clear	128"	95"	111"	148.6	35,000	4,600
	5S2-40-08	60" X 102"	80.0	960	1,200	6" Clear	128"	107"	111"	170.8	40,000	5,200
	5S2-45-08	60" X 114"	90.0	1,080	1,350	8" Gray	128"	119"	127"	192.8	45,000	5,700
	5S2-50-10	60" X 126"	100.0	1,200	1,500	8" Gray	128"	131"	133"	214.8	49,000	6,300
3	5S3-30-08	60" X 78"	90.0	1,080	1,350	6" Clear	194"	83"	111"	190.5	45,000	6,100
	5S3-35-10	60" X 90"	105.0	1,260	1,575	6" Clear	194"	95"	117"	222.9	53,000	6,900
	5S3-40-10	60" X 102"	120.0	1,200	1,800	6" Clear	194"	107"	117"	256.2	60,000	7,800
	5S3-45-10	60" X 114"	135.0	1,620	2,025	8" Gray	194"	119"	133"	289.2	68,000	8,600
	5S3-50-12	60" X 126"	150.0	1,800	2,250	8" Gray	194"	131"	135"	322.2	75,000	9,500
4	5S4-30-10	60" X 78"	120.0	1,440	1,800	6" Clear	260"	83"	117"	254.0	61,000	8,100
	5S4-35-10	60" X 90"	140.0	1,680	2,100	6" Clear	260"	95"	117"	297.2	70,000	9,200
	5S4-40-12	60" X 102"	160.0	1,920	2,400	6" Clear	260"	107"	119"	341.6	80,000	10,400
	5S4-45-12	60" X 114"	180.0	2,160	2,700	8" Gray	260"	119"	135"	385.6	92,000	11,500
	5S4-50-12	60" X 126"	200.0	2,400	3,000	8" Gray	260"	131"	135"	429.6	100,000	12,600

# STARK™ 5S SERIES FILTERS (CONT'D)

HORIZONTAL SAND FILTRATION SYSTEMS



Certified to  
NSF/ANSI Standard 55



## DIMENSIONS AND PERFORMANCE

### 5S Series Systems Include:

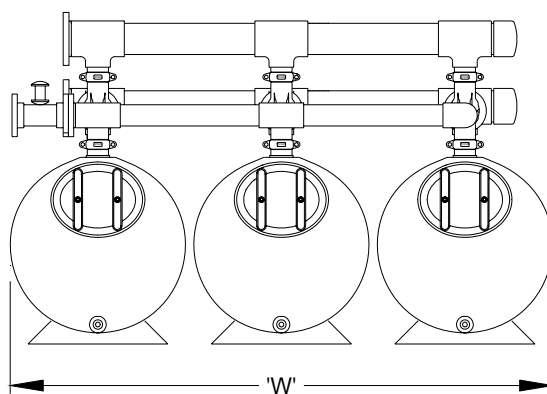
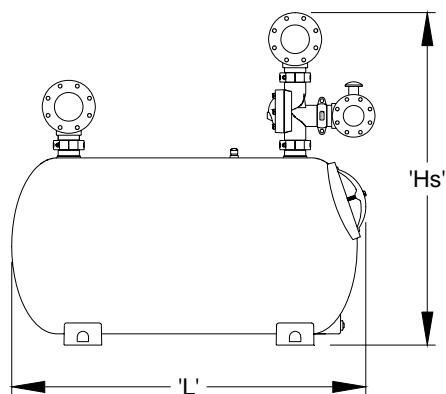
- Manway viewport standard on all Stark tanks
- Stark backwash valves (1 per tank)
- Pre-glued piping utilizing grooved couplings
- Stark diaphragm-style priority valve (on dual-tank systems)

### With Fully Automatic (CA100) Control Option

- Effluent Flow Sensor/Saddle
- Temperature Probe

### Additional Adders

- Pressure Booster System (PBS01)
- Manual or Motorized Butterfly backwash
- Throttling valve for 3+ tank systems
- Advanced backwash controls



### 5S Series System Numbering

60" Dia. Vessels

Influent / Effluent Connection Size

Backwash Control: A = Auto (CA100),  
M = Manual (CM200), S = Semi (CS400)

**5S3-50A-10**

↑ Tank Filter Area  
↑ # Tanks  
↑ Tank Style (End-Manway)  
↑ Tank Diameter, 5 = 60" Diameter

### Notes:

1. Standard header sizing shown is based on 10 fps max. at 15 gpm per sq. ft.
2. For more dimensional detail, consult the appropriate Cut Sheet in our Design Manual.
3. For special requirements including non-standard header sizes / locations and systems consisting of more vessels than shown, please contact our Applications Engineering at PoolApplicationRFQ@pentair.com.

# STARK™ FILTERS

## BACKWASH OPTIONS AND ADDITIONAL FEATURES

COMMERCIAL

AUTOMATION

FILTERS

VALVES

PUMPS

HEATERS &  
HEAT PUMPS

LIGHTING

CLEANERS

WATER  
FEATURES

CHEMICAL  
CONTROLLERS  
& SANITIZERS

WHITE  
GOODS

MAINTENANCE  
& SAFETY

LIFTS & DECK  
EQUIPMENT

SPA



Multiport Gauge Panel

### CM200 Manual Backwash Controller (Backwash Option "M")

This is the simplest option. No electronics or programming required; simply turn the knob to backwash each tank in the system.



### CS 400 Semi-Auto Backwash Controller (Backwash Option "S")

This controller is programmable and controls every aspect of the backwash cycle once initiated. Backwash can be initiated three ways: by an operator with the touch of a button, by a signal from a master controller (such as the AK600), or by a signal from an optional differential pressure switch (CS400-DP). Stored backwash data and history, alarms, and calculated backwash cycle times are also features of the CS400 controller, as are relays for communication with the heater, pump and Acu Drive.



### CA 100 Automatic Backwash Controller (Backwash Option "A")

This is the most comprehensive backwash controller and can be readily reprogrammed to initiate backwash automatically based on differential pressure (integral pressure transducers are standard), time (internal seven-day clock with battery back-up is standard), flow (with optional flow sensor), or any combination of the above. The controller has real-time display of operation mode, filter flow rate, and water temperature (with optional temperature probe). Also, includes Energy Saver Mode for simple On/Off pump scheduling and various interlocks and relays to communicate with other equipment (pump, heater, Acu Drive).

### Stark Diaphragm Backwash Valves

Cost-effective backwash control both manual and automatic. 6" version (on most models) includes a transparent valve housing and cover to display position and convenient maintenance inspections.



### Manway Viewport

Standard on all Stark Filters.



2" Threaded Laterals

### Superior Commercial Lateral:

2" NPT injection molded ABS with "V" groove slots and reinforcing ribs for best performance and service life. Also used on THS Series Filters.

### Optional Pressure Booster System (PBS01)

Provides consistent valve-actuation where city water pressure is unreliable.



### Butterfly Valve Systems

Single Lever Linkage (Backwash Option "SL": Single-Tank Systems Only - tank is backwashed by the throw of a single lever); and Tandem Butterfly Valve Configurations (Backwash Option TM; Multiple Tank Systems - each Stark backwash valve is replaced by a linked pair of butterfly valves.



# STARK™ AQ SERIES™ FILTERS

LARGE DIAMETER SYSTEMS & VESSELS

## Stark AQ Series Filters

48" and 60" Diameter Stackable Horizontal Filters are available as complete filtration systems. The Stark AQ Series Filters are ideal for high-load or large flows of water such as water parks and public aquariums. NSF-50 Listed. 75 psi pressure rating.



Stark AQ Series Sand Filter

Vessel Model Number	Available Styles*	Filtration Area (sq ft)	Internal Diameter (feet)	Internal Length (feet)	Standard Flange Size (ANSI)
AQ SERIES VESSEL SIZING AND CAPACITY INFORMATION					
4X6	A, B, C	22	4.0	6.0	6"
4X8	A, B, C	30	4.0	8.0	6"
4X10	A, B, C	38	4.0	10.0	6"
4X12	A, B, C	46	4.0	12.0	8"
4X14	A, B, C	54	4.0	14.0	8"
5X8	A, B, C	37	5.0	8.0	8"
5X10	A, B, C	47	5.0	10.0	8"
5X12	A, B, C	57	5.0	12.0	8"
5X14	A, B, C	67	5.0	14.0	8"
5X16	A, B, C	77	5.0	16.0	8"



\*Styles B and C are stackable. All are available with the manway on the other side (reverse manway).

# STARK™ V SERIES™ FILTERS

HIGH LOAD VERTICAL FILTERS

## Stark V Series Filters

Deep-Bed Filters provide "plug-flow" for extreme load applications such as sea-water intake, mammal and marine mammal exhibits. They are also frequently used as carbon (GAC) filters.

Vessel Model Number	Style	Filtration Area (sq ft)	Internal Diameter (feet)	Internal Height (feet)	Standard Flange Size (ANSI)
V SERIES VESSEL SIZING AND CAPACITY INFORMATION					
V3672	Vertical	7.1	3.0	6.0	3"
V4272	Vertical	9.6	3.5	6.0	3"
V4872	Vertical	12.6	4.0	6.0	4"
V6072	Vertical	19.6	5.0	6.0	6"
V72	Vertical	28.3	6.0	8.8	6"
V96	Vertical	50.3	8.0	9.5	6"



Stark V Series Sand Filter

## Optional Integral Insulation

Any Stark Filter can be manufactured with integral insulation between the shell and winding layers to last as long as the vessel. Used for both cold water and warm water life support applications when filters are installed where a high differential exists between water and ambient air temperature. For sizing assistance on AQ and V Series filters, contact us at PoolApplicationRFQ@pentair.com



Insulated Vessel at Start of Winding







# VALVES

# FILTER VALVES

1-1/2 & 2 IN. BACKWASH VALVES FOR TOP AND SIDE MOUNT FILTERS



R14965TM10E



R14965TM10



RE261069B



RE261070ND



RE261071ND



RE272026ND



RE272029ND



RPIF006



RPIF007



PROV-1010

## ORDERING INFORMATION

Model	Filter	Sizes	Media	Mount	#-way	Port Thread	Color
RE272026ND	Tagelus®	480 - 610	Sand	Top	6	1½" BSP	Black
RE272029ND	Tagelus®	762	Sand	Top	6	2" BSP	Black
RE261070ND	Triton® / SR Filter™	480 - 610	Sand	Side	6	1½" BSP	Black
RE261071ND	Triton® / SR Filter™	762 - 914	Sand	Side	6	2" BSP	Black
R14965TM10E	Cristal-Flo™ TM	380 to 600	Sand	Top	4	1½" BSP	Black
R14965TM10	Cristal-Flo™ TM	380 to 600	Sand	Top	6	1½" BSP	Black
RE261069B	Cristal-Flo™ SM	430 to 600	Sand	Side	6	1½" BSP	Black
RE272029ND	Cristal-Flo™ SM	760	Sand	Top	6	2" BSP	Black
RE261071ND	Cristal-Flo™ SM	760	Sand	Side	6	2" BSP	Black
RPIF006	Poseidon	500 - 600	Sand	Side	6	1½" BSP	Black
RPIF007	Poseidon	800	Sand	Side	6	2" BSP	Black
PROV-1010	Triton	All Triton + Pro Valve	Sand	Side	2	2" BSP	Black

### Automatic Multiport Valve

E-25-8001	Aquastar Automatic multipoint valve 1.5"
E-25-8002	Aquastar Automatic multipoint valve 2"



# FILTER VALVES (CONT'D)

1-1/2 & 2 IN. BACKWASH VALVES FOR SIDE MOUNT FILTERS



Multiport Valve Kit 261055

## FEATURED HIGHLIGHTS

- PVC body.
- The right valve for easy operation.
- Six-position, positive-lock operation.
- Special winterizing position.

Side mounted HiFlow and Multiport valves are designed for maximum performance and working pressures. Available in 1-1/2 and 2 in. threaded or slip models.

## ORDERING INFORMATION

Product	Description	Carton Qty.	Carton Wt. (Lbs.)
<b>Multiport valve kit for filters, slip</b>			
261173	1-1/2 in. MPV, for Triton II	1	8
261055	2 in. MPV, for Triton II	1	9

## 1-1/2 AND 2 IN. BACKWASH VALVES FOR TOP MOUNT SAND FILTERS



262506



262505



261185

## FEATURED HIGHLIGHTS

- ABS body.
- Large, one-piece handle for trouble-free operation.
- Six-position, positive-lock operation.
- Heavy-duty diverter.
- Special winterizing position.

The top mounted HiFlow and Multiport valves are designed for maximum sand filter backwash performance and precise water flow. Available in 1-1/2 and 2 in. threaded.

## ORDERING INFORMATION

Product	Description	Carton Qty.	Carton Wt. (Lbs.)
<b>Top Mount Multisport Valves</b>			
261124	1-1/2 in. TA Valve, "V" thread (TM 12-A), 6 in. Neck Size <sup>1</sup>	1	7
262504	1-1/2 in. TA Valve, Buttruss thread (TM 12-B), 6 in. Neck Size <sup>2</sup>	1	7
262505	1-1/2 in. TA to TA D Conversion Kit w/ valve, , 6 in. Neck Size <sup>1</sup>	1	9
261185	2 in. TA D (TA 100D only), clamp, 8 in. Neck Size	1	7
262506	1-1/2 in. TA D (TA 30/40/50/60D), clamp, 6 in. Neck Size <sup>1</sup>	1	7
263085	2 in. (TA60, SD80, CFII26), clamp, 6 in. Neck Size without unions	1	10
262525	2 in. (TA60, SD80, CFII26), clamp, 6 in. Neck Size with unions	1	10

<sup>1</sup>For filters manufactured before 12-1-91.

<sup>2</sup>For filters manufactured after 12-1-91.





# PUMPS



# INTELLIFLO®

## VARIABLE SPEED TECHNOLOGY



### FEATURED HIGHLIGHTS

The biggest innovation on energy efficiency for pumps.

Why buying a pump from the Intelliflo-family?

People don't realize how much energy a swimming pool pump consumes...

If we do a comparison, a swimming pool pump consumes as much as 7 fridges.

This is equivalent to the CO<sub>2</sub> consumed by 138 trees!

By using the Intelliflo, people are able to get tremendous energy savings up to 90 % compared to standard single speed or 2-speed pumps. This translates into significant financial savings!



### SLOWER IS BETTER!

#### How is this all possible?

The variable speed technology allows you to run your pump at very low speeds, and running slowly dramatically reduces the energy consumption.

For more info visit our Intelliflo-website: [www.intelliflo.eu](http://www.intelliflo.eu)



IntelliFlo® 5PXF-VSD



IntelliFlo® WhisperFlo® VSF & VSD



IntelliFlo® SW5P6R™ VSD

# GO GREEN!



The IntelliFlo®-pumps are part of our Eco Select™ brand. They save energy, conserve water, eliminate noise and reduce CO<sub>2</sub> emissions and chemicals sent to the drain.

# INTELLIFLO® (CONT'D)

VARIABLE SPEED TECHNOLOGY



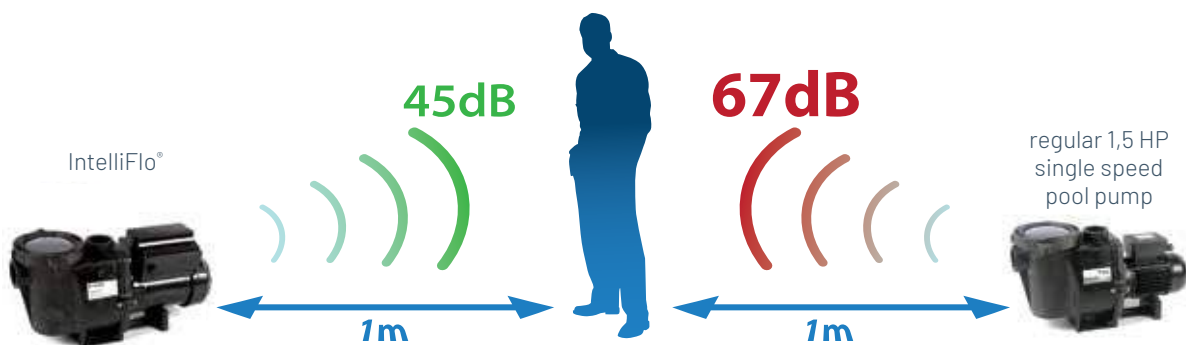
## FEATURED HIGHLIGHTS

The IntelliFlo is a variable speed pump, and as such it is possible to select a very precise speed or flow to perfectly suit your needs, at any time of the day... and night.

These are some examples of what the IntelliFlo can do thanks to its multi-speed / multi-flow capabilities: night filtration at low speed to maintain the best possible pool chemistry, fine-tuning of overflowing pools or fountains, etc...

The IntelliFlo has also a direct impact on the water quality : not only will the filtration be improved at low speed (the debris will take longer to pass through the filter) but also the backwashing will be more efficient due to higher flow which clears the debris from the filter better.

## EXTREMELY SILENT : "AS QUIET AS A WHISPER!"



## MULTI-TALENT : 1 PUMP FOR ALL APPLICATIONS



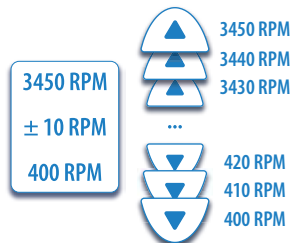
Overflowing pools



Filtering



Heating



Water features



Night filtration



Suction cleaning

# INTELLIFLO® VSF

INTELLIGENT VARIABLE SPEED & VARIABLE FLOW PUMPS

## FEATURES

Adjusts to various pool sizes

Prevents thermal overload

Detects and prevents damage from under and over voltage conditions

Protects against freezing

Communicates with IntelliPool control system or an IntelliComm communication center

Easy to use operator control panel

Operator control panel buttons for speed control

Built-in strainer pot and volute

Ultra energy-efficient TEFC Square Flange Motor

Compatible with most cleaning systems, filters, and jet action spas

Motor assembly features permanent magnet synchronous motor

Heavy-duty, durable construction designed for long life

12 Programmable Speeds

Speed 1-4: manual, egg timer or schedule

Speed 5-8: schedule

Four IntelliComm speed modes

### Priming Feature

Load Sensing

Enable or Disable

### Lockout Protection

Four Digit password

Enable or Disable

### LCD Display

Power and Speed / Flow

Text Alerts

### Antifreeze Protection

Adjustable Speed / Flow

Adjustable Temperatures

Enable and Disable in stand alone

### Additional Features

Clock and Timer

Maximum and Minimum Speed / Flow Limits

Quick Clean Mode

Timeout Mode

Rotatable Keypad

# INTELLIFLO® VSF

HIGH PERFORMANCE PUMP



IntelliFlo VSF Pump



## Featured Highlights

- Eight programmable speed or flow settings and built-in timer
- Rotatable keypad with optional wall mount kit (sold separately)
- Top-mounted field wiring compartment is easier to access and connect
- Totally enclosed fan-cooled design for increased performance and long life
- Menus are easier than ever to use
- Precisely maintains system flow requirements
- Compatible with Pentair Automation
- WEF 6.1 THP 3.95

This product may be protected by one or more of the following US Patents and all corresponding foreign counterparts: 7,686,587; 7,854,597; 8,043,070; 8,469,675; 8,573,952; D568,340; D606,562; D611,430

IntelliFlo VSF pump is the first variable speed and flow pump that adjusts to changes in flow conditions to maintain its preprogrammed flow rate to run optimally throughout the entire filtration cycle. It's like having cruise control for your pump.

## ORDERING INFORMATION

Product	Model	Voltage	Full Load Amps	kW	HP	SF	SFHP	FREQ.	Primary Listings and Certifications <sup>4</sup>	Port Size (NPT)	Carton Wt. (Lbs.)
---------	-------	---------	----------------	----	----	----	------	-------	--	-----------------	-------------------

### Intelliflo VSF Energy Efficient Variable Speed And Flow Pump

011056	<b>IntelliFlo VSF</b>	230	16	3.2	3	1.32	3.95	50Hz/60Hz	UL <sup>1</sup> , NSF <sup>2</sup> , <b>APSP</b> <sup>3</sup>	2 in. x 2 in.	55
--------	-----------------------	-----	----	-----	---	------	------	-----------	---	---------------	----

### Accessories

521109	IntelliCom 2 - Rated 9 - 30 V DC with 4 inputs	1
350122	Communication Cable - 50 ft. - Included with pump	2
357156	Chemical Resistant Lid	1
356904Z	Keypad Relocation Kit	2

### Unions

11201-0154	2 in. x 2 in. Union (2 in. NPT male x 2 in. female NPT quick connect) * Note: two required per pump (sold individually)	2
------------	---	---

<sup>1</sup> 'UL' indicates that pump bears a UL mark signifying evaluation to U.S. Standards UL1081 for Permanently Connected Swimming Pool and Spa Pumps and to Canadian Standards CAN/CSA C22.2 No. 108-01 Liquid Pumps For Swimming Pools Only (Enclosure 3).

<sup>2</sup> 'NSF' indicates that pump bears a mark signifying evaluation to NSF Standard 50 For Self-Priming Centrifugal Pumps For Swimming Pools Only.

<sup>3</sup> 'APSP' Pump has been evaluated to ANSI/APSP/ICC-15 and California Title 20 and is certified to use on Residential Swimming Pool Filtration Systems.

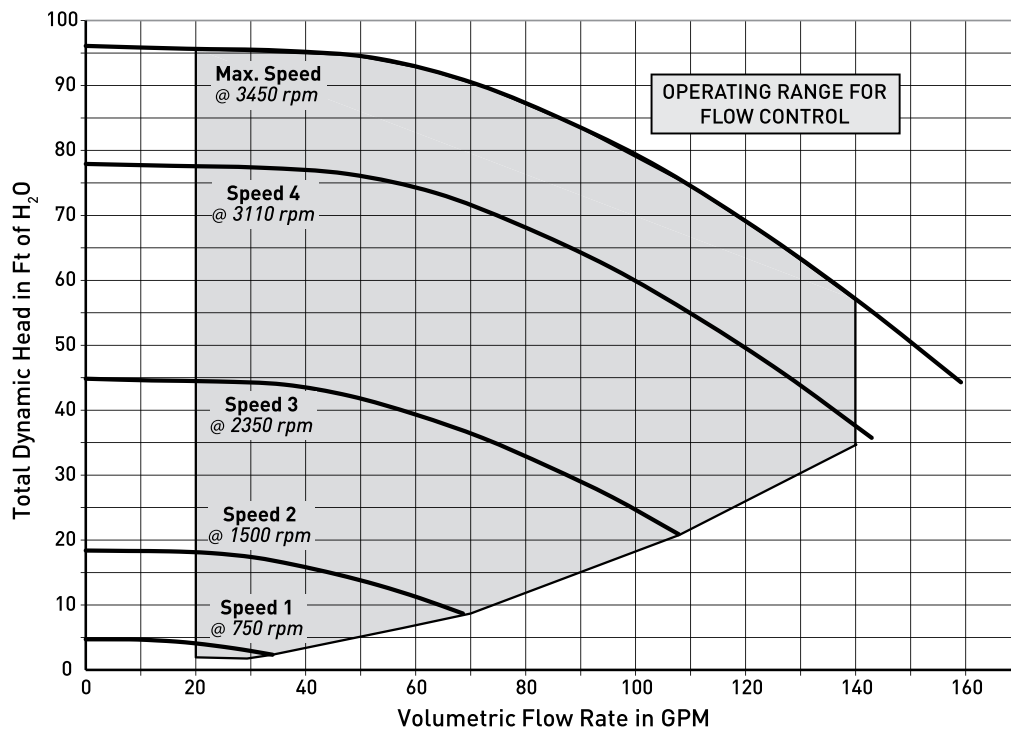
<sup>4</sup> Product may have been evaluated to other state and local regulatory standards. Listing status may change. Always confirm status with appropriate agency if in doubt.

Note: Pump must be used with current collectors when installed on spas or hot tubs in Canada.

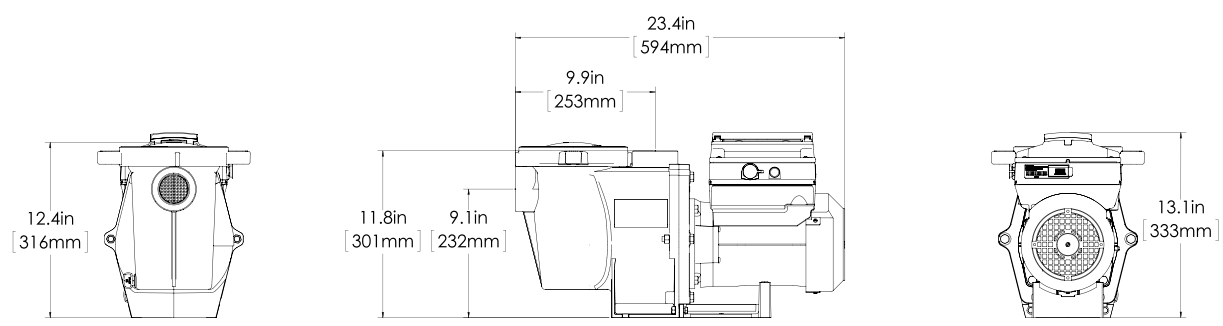
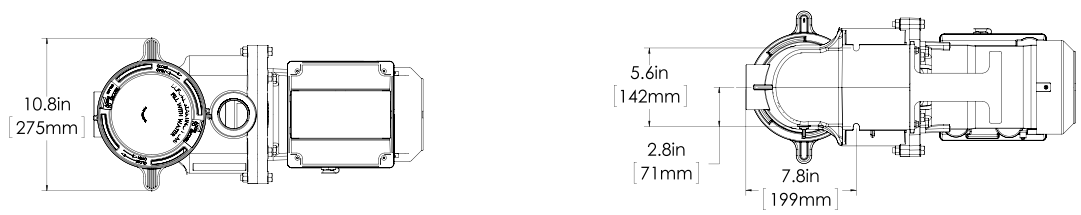
# INTELLIFLO® VSF

HIGH PERFORMANCE PUMP (CONT'D)

## DIMENSIONS AND PERFORMANCE



Note: IntelliFlo VS+SVRS minimum speed is 1100 RPM





# INTELLIFLO® VS+SVRS

HIGH PERFORMANCE PUMPS



IntelliFlo VS+SVRS  
High Performance Pump



This product may be protected by one or more of the following US Patents and all corresponding foreign counterparts: 8,313,306; 8,469,675; 8,602,743; 8,573,952; 8,602,745; 8,043,070; 7,686,587; 7,854,597; 9,243,413; D5668,340; D606,562, D611,430

IntelliFlo pumps combine variable speed technology, onboard digital intelligence and permanent magnet motors (used in hybrid cars) to reduce pump-related energy costs by up to 90%. The IntelliFlo VS+SVRS pump models were the first swimming pool pumps to feature a built-in Safety Vacuum Release System that detects drain blockage and automatically shuts the pump off.

## FEATURED HIGHLIGHTS

- Ability to program exact pump speeds for specific operations – filtering, heating, cleaning, spa jets, water features and more
- SVRS complies with Virginia Graeme Baker Safety Act
- Built-in diagnostics protect the IntelliFlo pump from the most common causes of premature failure – overheating, freezing, and voltage irregularities.
- Includes priming protection. No SVRS calibrations needed. Built-in SVRS cannot be turned off.
- Safety lock-out feature (password protected) prevents pump speed settings from being changed by unauthorized personnel
- Ability to set minimum and maximum speeds so pump will only operate within the ranges set to help assure safe operation and long life
- Compatible with Pentair Automation Systems
- Compliant with the current ASME A112.19.17 Standard for Safety Vacuum Release Systems (SVRS)
- Operates seamlessly on 50 hz or 60 hz input power. Flow/speed are constant when operating on 50hz or 60 hz.
- WEF [6.1](#) THP [3.95](#)

## ORDERING INFORMATION

Product	Model	Voltage	Full Load Amps	kW	HP	SF	SFHP	FREQ.	Primary Listings and Certifications <sup>6</sup>	Port Size (NPT)	Carton Wt. (Lbs.)
---------	-------	---------	----------------	----	----	----	------	-------	--	-----------------	-------------------

### Energy Efficient Variable Speed With Safety Vacuum Release System

011057	<b>IntelliFlo VS+SVRS</b>	230	16	3.2	3	1.32	3.95	50hz/60hz	UL <sup>1</sup> , NSF <sup>2</sup> , CSA <sup>3</sup> , ASME <sup>4</sup> , ETL, APSP <sup>5</sup>	2 in. x 2 in.	55
--------	---------------------------	-----	----	-----	---	------	------	-----------	--	---------------	----

### Accessories

521109	IntelliCom 2 - Rated 9 - 30 V DC with 4 inputs	1
350122	Communication Cable - 50 ft. - Included with pump	2
350250Z	SVRS KIT - Allows use of discharge check valves with SVRS pump	1

### Unions

11201-0154	2 in. x 2 in. Union (2 in. NPT male x 2 in. female NPT quick connect) * Note: two required per pump (sold individually)	2
------------	---	---

<sup>1</sup> 'UL' indicates that pump bears a UL mark signifying evaluation to U.S. Standards UL1081 for Permanently Connected Swimming Pool and Spa Pumps and to Canadian Standards CAN/CSA C22.2 No. 108-01 Liquid Pumps For Swimming Pools Only (Enclosure 3).

<sup>2</sup> 'NSF' indicates that pump bears a mark signifying evaluation to NSF Standard 50 For Self-Priming Centrifugal Pumps For Swimming Pools Only.

<sup>3</sup> 'CSA' indicates that pump bears a CSA mark signifying evaluation to Canadian Standards CAN/CSA C22.2 No. 108-01 Liquid Pumps For Swimming Pools Only (Enclosure 3).

<sup>4</sup> 'ASME' indicates that pump bears a specific mark signifying evaluation to ASME/ANSI Standard A.112.19.17 Manufactured Safety Vacuum Relief System (SVRS).

<sup>5</sup> 'APSP' Pump has been evaluated to ANSI/APSP/ICC-15 and California Title 20 and is certified to use on Residential Swimming Pool Filtration Systems.

<sup>6</sup> Product may have been evaluated to other state and local regulatory standards. Listing status may change. Always confirm status with appropriate agency if in doubt.

Note: Pump must be used with current collectors when installed on spas or hot tubs in Canada.

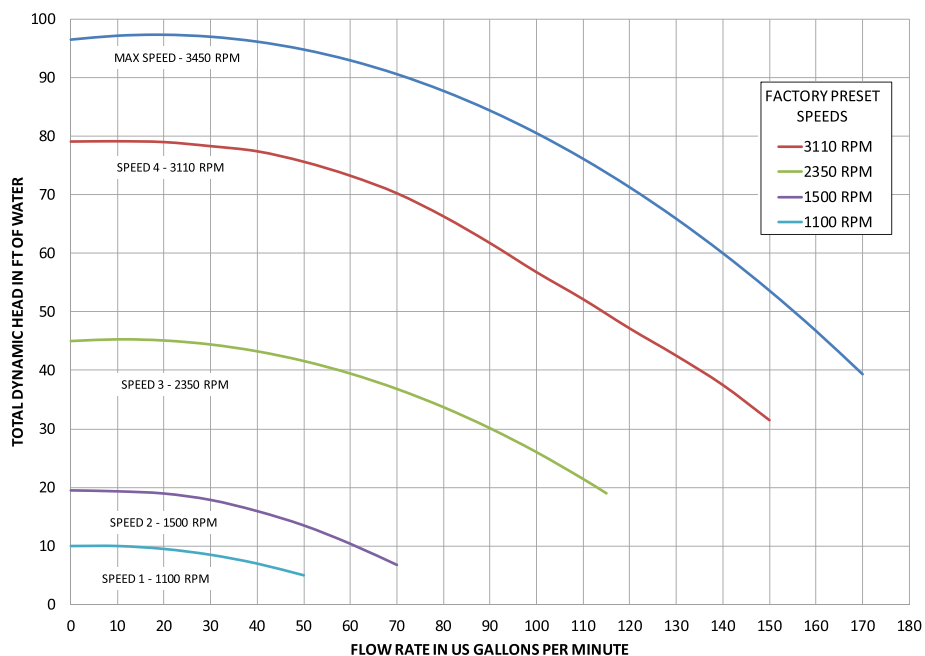
• Savings based on variable speed pump compared to a single-speed pump running 12 hours per day at an average of \$0.16 per kWh in a 20,000 gallon pool. Actual savings may vary based on local utility rates, pool size, pump run time, pump horsepower, pump rpm, plumbing size and length, pump model, service factor and other hydraulic factors.

Refer to catalog page 48 for a selection of 2-Pole GFCI breakers which offer 6 milliamp personnel protection while meeting 2008 to Current NEC Standards for Pool Pumps.

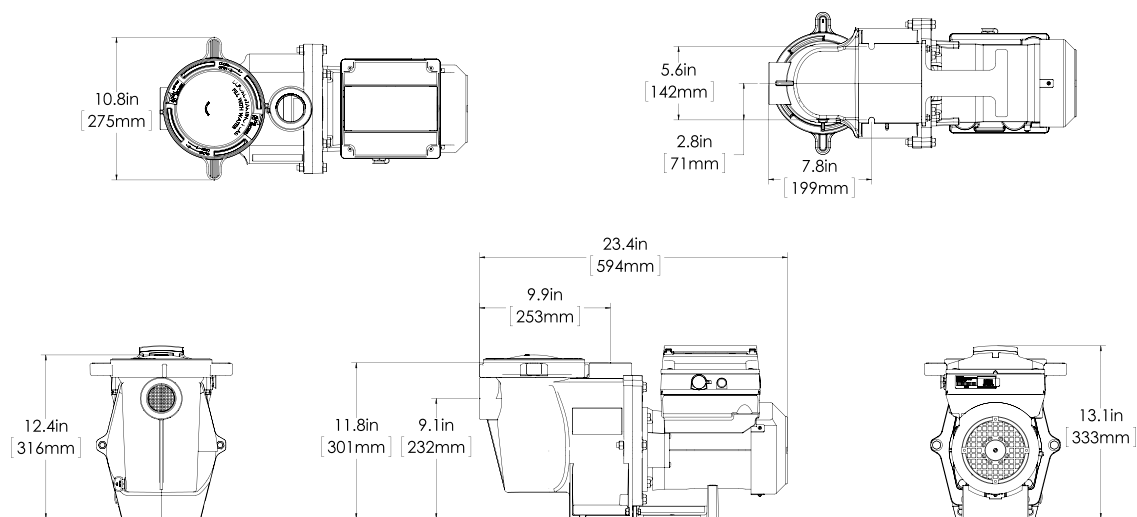
# INTELLIFLO® VS+SVRS

HIGH PERFORMANCE PUMPS (CONT'D)

## DIMENSIONS AND PERFORMANCE



Note: IntelliFlo VS+SVRS minimum speed is 1100 RPM



# INTELLIFLO® i1

## VARIABLE SPEED PUMP



IntelliFlo i1  
Variable Speed Pump



### FEATURED HIGHLIGHTS

- Rotable keypad for easy programming and viewing
- Keypad has the ability to be wall mounted with optional wall kit (sold separately)
- Intuitive interface/HMI simplifies programming and use
- Top-mounted field wiring compartment for easy access and installation
- 8 programmable speed settings and built in timer
- Totally-enclosed fan-cooled design (TEFC) for quiet operation
- Built-in diagnostics protect the pump for longer service life
- Interfaces perfectly with Pentair automation systems
- WEF 7.5 THP 3.95

This product may be protected by one or more of the following US Patents and all corresponding foreign counterparts: 7,686,587; 7,854,597; 8,043,070; 8,469,675; 8,573,952; D568,340; D606,562; D611,430

IntelliFlo i1 Variable Speed pump has a unique hydraulic platform designed for compliance in specific geographical areas with certain flow rates. IntelliFlo i1 pump provides all the features as standard IntelliFlo pumps but is engineered to be limited to the flow rate of a 1-HP pump. It also has a max amp rating of 7 amps for easy retrofits with limited existing wire gauge size.

### ORDERING INFORMATION

Product	Model	Voltage	Full Load Amps	HP	SF	SFHP	FREQ.	Primary Listings and Certifications <sup>4</sup>	Port Size (NPT)	Carton Wt. (Lbs.)
---------	-------	---------	----------------	----	----	------	-------	--	-----------------	-------------------

#### Energy Efficient Variable Speed Full Rated

011059	<b>IntelliFlo i1</b>	230V	7.3	1.0	3.95	3.95	50hz/60hz	UL 1, NSF <sup>2</sup> , APSP <sup>3</sup>	2 in. x 2 in.	55
--------	----------------------	------	-----	-----	------	------	-----------	--	---------------	----

#### Accessories

521109	IntelliCom 2 - Rated 9 - 30 V DC with 4 inputs									1
350122	Automation Communication Cable for IntelliFlo - Included with pump									2
357156	Chemical Resistant Lid									1
356904Z	Optional Keypad Wall Mount Kit									2

<sup>1</sup> 'UL' indicates that pump bears a specific UL mark signifying evaluation to U.S. Standards UL1081 for Permanently Connected Swimming Pool and Spa Pumps and to Canadian Standards CAN/CSA C22.2 No. 108-01 Liquid Pumps For Swimming Pools Only (Enclosure 3).

<sup>2</sup> 'NSF' indicates that pump bears a mark signifying evaluation to NSF Standard 50 For Self-Priming Centrifugal Pumps For Swimming Pools Only.

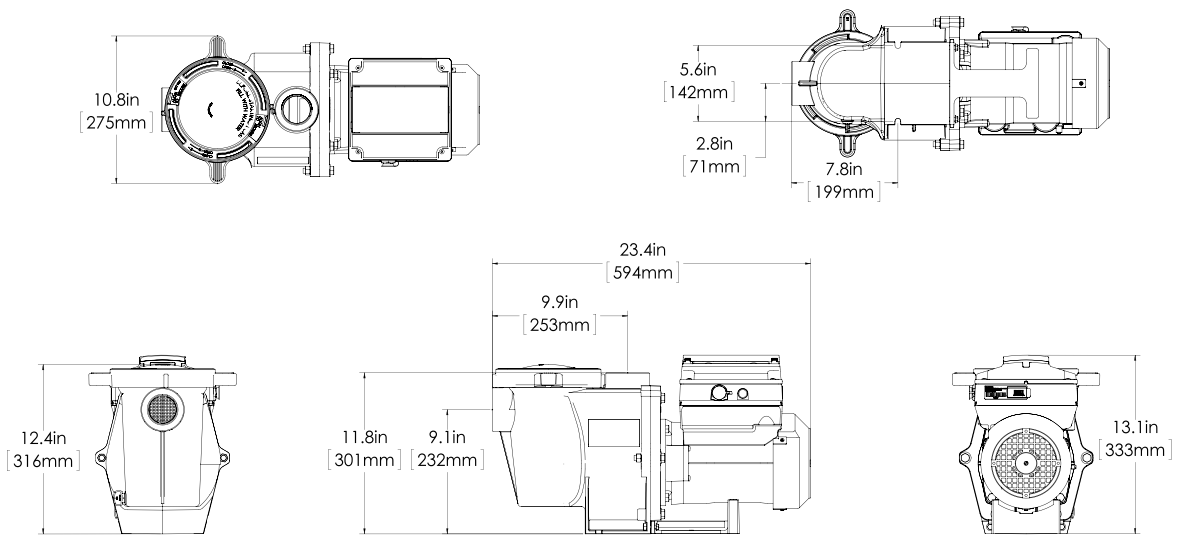
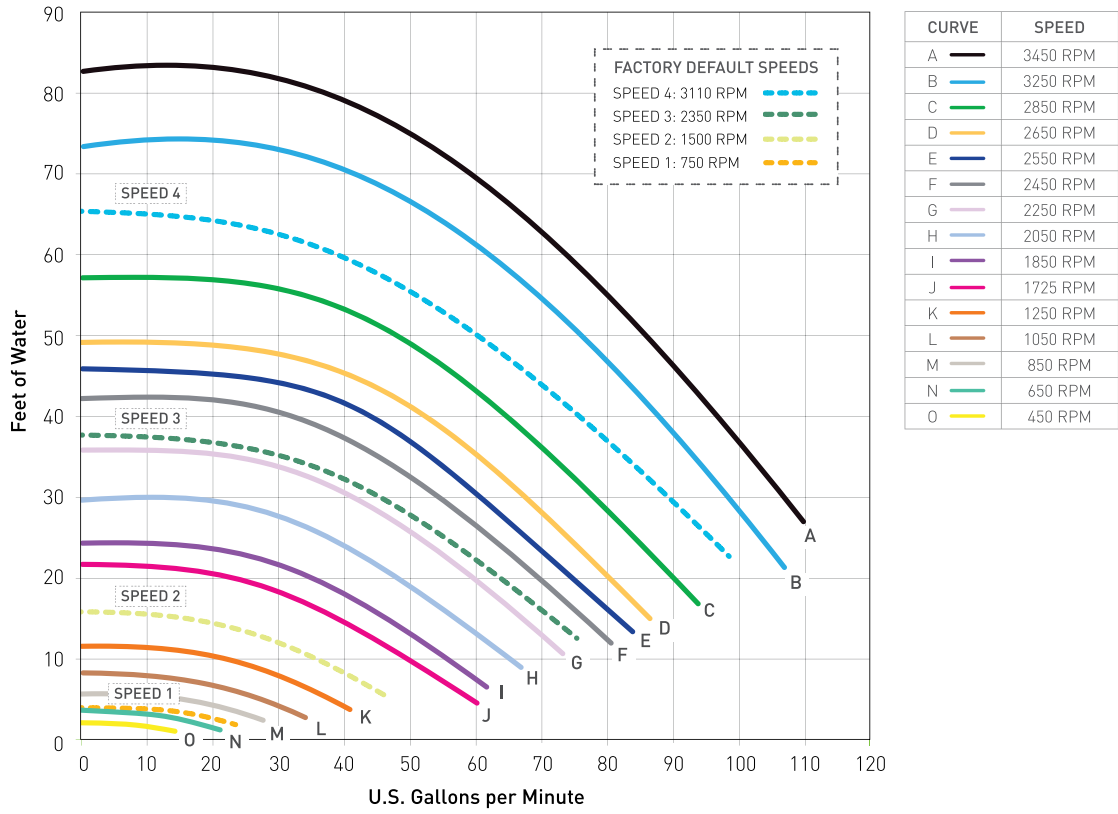
<sup>3</sup> 'APSP' Pump has been evaluated to ANSI/APSP/ICC-15 and California Title 20 and is certified to use on Residential Swimming Pool Filtration Systems.

<sup>4</sup> Product may have been evaluated to other state and local regulatory standards. Listing status may change. Always confirm status with appropriate agency if in doubt.

# INTELLIFLO® i1

## VARIABLE SPEED PUMP (CONT'D)

### DIMENSIONS AND PERFORMANCE



# INTELLIFLO® i2

## VARIABLE SPEED PUMP



IntelliFlo i2  
Variable Speed Pump

This product may be protected by one or more of the following US Patents and all corresponding foreign counterparts: 7,686,587; 7,854,597; 8,043,070; 8,469,675; 8,573,952; D568,340; D606,562; D611,430

IntelliFlo i2 Variable Speed pump is hydraulically engineered to provide maximum performance on a 15-amp breaker. It has a maximum rating of 11.8 amps, also making retrofits easier in applications that are limited by existing wire gauge size. The IntelliFlo i2 pump provides all the great features that have made our best-selling IntelliFlo pumps the industry standard.



### FEATURED HIGHLIGHTS

- Rotable keypad for easy programming and viewing
- Keypad has the ability to be wall mounted with optional wall kit (sold separately)
- Intuitive interface/HMI simplifies programming and use
- Top-mounted field wiring compartment for easy access and installation
- 8 programmable speed settings and built in timer
- Totally-enclosed fan-cooled design (TEFC) for quiet operation
- Built-in diagnostics protect the pump for longer service life
- Interfaces perfectly with Pentair automation systems
- WEF [6.9](#) THP [3.95](#)

### ORDERING INFORMATION

Product	Model	Voltage	Full Load Amps	HP	SF	SFHP	FREQ.	Primary Listings and Certifications <sup>4</sup>	Port Size (NPT)	Carton Wt. (Lbs.)
---------	-------	---------	----------------	----	----	------	-------	--	-----------------	-------------------

#### Energy Efficient Variable Speed Full Rated

011060	<b>IntelliFlo i2</b>	230V	11.8	2.0	1.98	3.95	50hz/60hz	UL <sup>1</sup> , NSF <sup>2</sup> , APSP <sup>3</sup>	2 in. x 2 in.	55
--------	----------------------	------	------	-----	------	------	-----------	--	---------------	----

#### Accessories

521109	IntelliCom 2 - Rated 9 - 30 V DC with 4 inputs									1
350122	Automation Communication Cable for IntelliFlo - Included with pump									2
357156	Chemical Resistant Lid									1
356904Z	Optional Keypad Wall Mount Kit									2

<sup>1</sup> 'UL' indicates that pump bears a specific UL mark signifying evaluation to U.S. Standards UL1081 for Permanently Connected Swimming Pool and Spa Pumps and to Canadian Standards CAN/CSA C22.2 No. 108-01 Liquid Pumps For Swimming Pools Only (Enclosure 3).

<sup>2</sup> 'NSF' indicates that pump bears a mark signifying evaluation to NSF Standard 50 For Self-Priming Centrifugal Pumps For Swimming Pools Only.

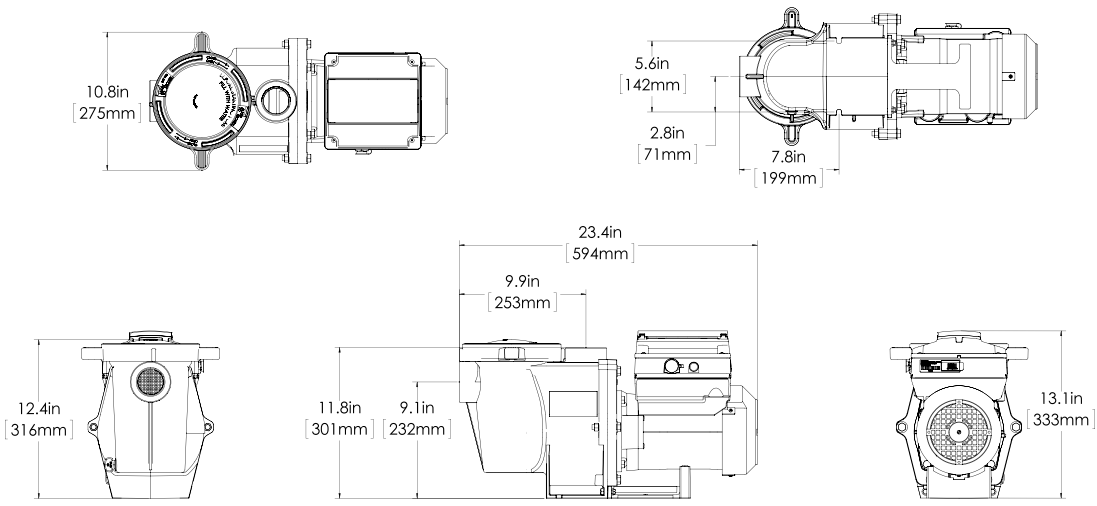
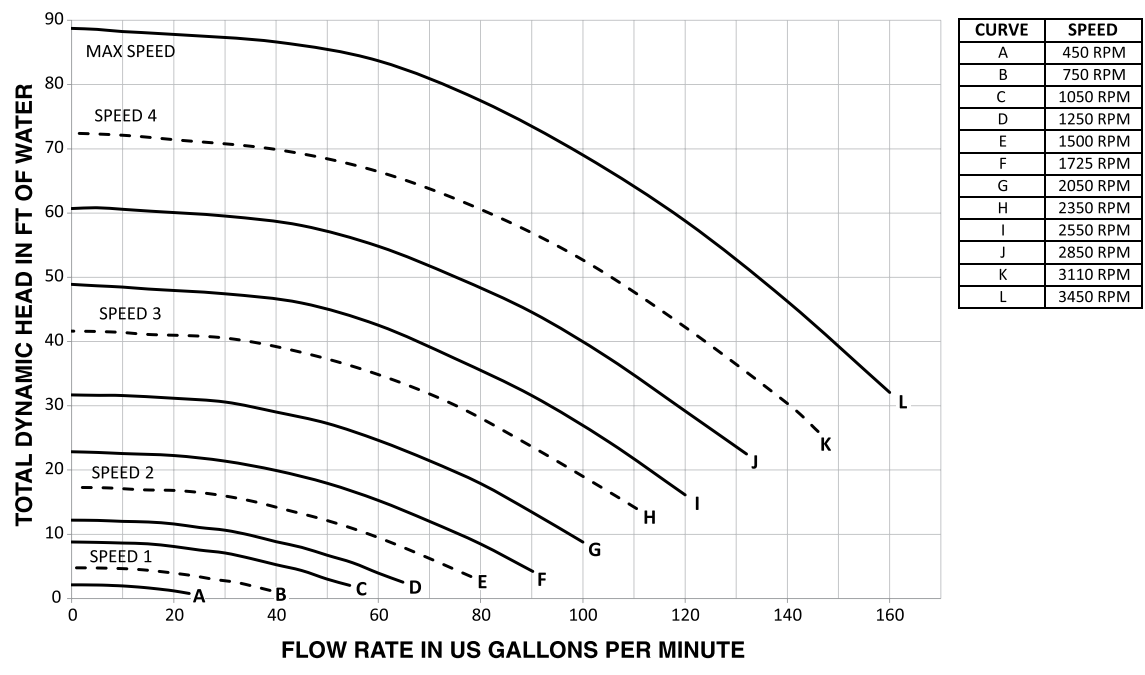
<sup>3</sup> 'APSP' Pump has been evaluated to ANSI/APSP/ICC-15 and California Title 20 and is certified to use on Residential Swimming Pool Filtration Systems.

<sup>4</sup> Product may have been evaluated to other state and local regulatory standards. Listing status may change. Always confirm status with appropriate agency if in doubt.

# INTELLIFLO® i2

VARIABLE SPEED PUMP (CONT'D)

## DIMENSIONS AND PERFORMANCE



# FREEFLO™ 50 HZ

## HIGH PERFORMANCE SWIMMING POOL PUMPS



The perfect choice for all types of pools, the **FreeFlo™** was specifically designed to be your best choice for a variety of above-ground and small in-ground pool applications.

Thick walled body parts, a heavy duty motor, and highly engineered hydraulics make this rugged and tested design perfect for any pool. The new FreeFlo is a mono-block design allowing it to run more silent and requiring less footprint space. FreeFlo is a drop in replacement for the Swimmeey Pump series.

### FEATURED HIGHLIGHTS

- Single piece, transparent Cam and Ramp™ lid for easy cleaning access and maintenance.
- Swivel union fittings for better sealing and more flexibility at installations.
- Unions included 50mm ID.
- Discharge is 90 rotatable.
- 1.5 meter long cord with EU plug included for ease of installation.
- TEFC motor for long life, IP55 rated motor Thermally protected.
- 304SS Shaft extension.
- Self-priming for quick, easy start-up.
- Additional drain plug for servicing pump housing.
- Large basket to hold debris made in HDPE for long life and durability.

### ORDERING INFORMATION

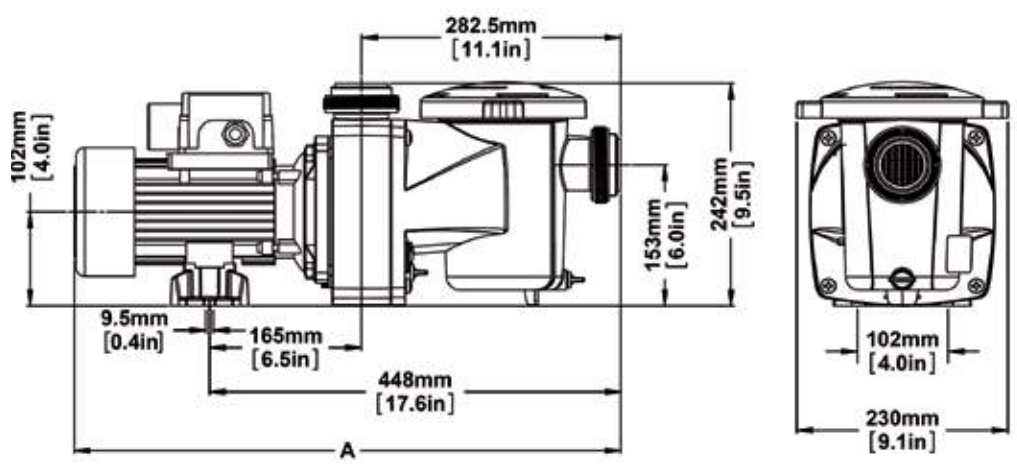
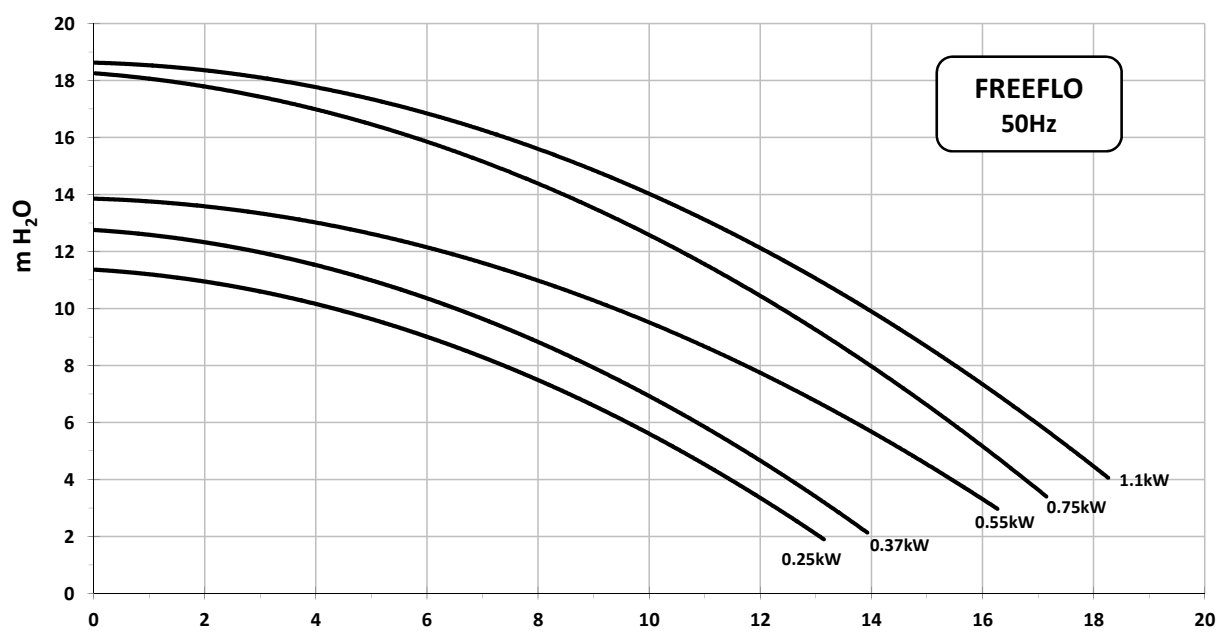
Model	kW	HP	Volt	Phase	Length (cm)	Width (cm)	Height (cm)	Weight (kg)
<b>FreeFlo™ 50Hz</b>								
FFL-031	0,25	1/3	220-240V	1~	645	240	325	10.0
FFL-051	0,375	1/2	220-240V	1~	645	240	325	10.5
FFL-071	0,55	3/4	220-240V	1~	645	240	325	11.5
FFL-101	0,75	1	220-240V	1~	645	240	325	12.5
FFL-151	1,1	1,5	220-240V	1~	690	240	325	14.5

Union kit included (R0018- 2pcs)

# FREEFLO™ 50 HZ (CONT'D)

HIGH PERFORMANCE SWIMMING POOL PUMPS

## DIMENSIONS AND PERFORMANCE



Model	A mm
FFL-031	540
FFL-051	540
FFL-071	562
FFL-101	562
FFL-151	600



# PANTERA PUMP

## SINGLE SPEED PUMPS



### FEATURED HIGHLIGHTS

- Induction asynchronous motor
- Shaft: Stainless steel AISI 416
- SKF sealed bearings
- IP-X5
- Thermal protection (single phase), IE2 compliant (tri-phase <0.75kW), IE3 compliant (tri-phase >0.75kW)
- Shaft Sleeve - A nylon shaft sleeve incorporating a flinger adds additional water ingress protection
- Inlet/Outlet - 50 mm
- Ø Unions - 50 mm ID.
- Unions included - Yes
- Salt resistancy - Yes

### FEATURES

Quick self priming

Swivel unions included

Long cable included

### BENEFITS

Quick and safe start of the pump

Fit also with above-ground pools and easy assembly

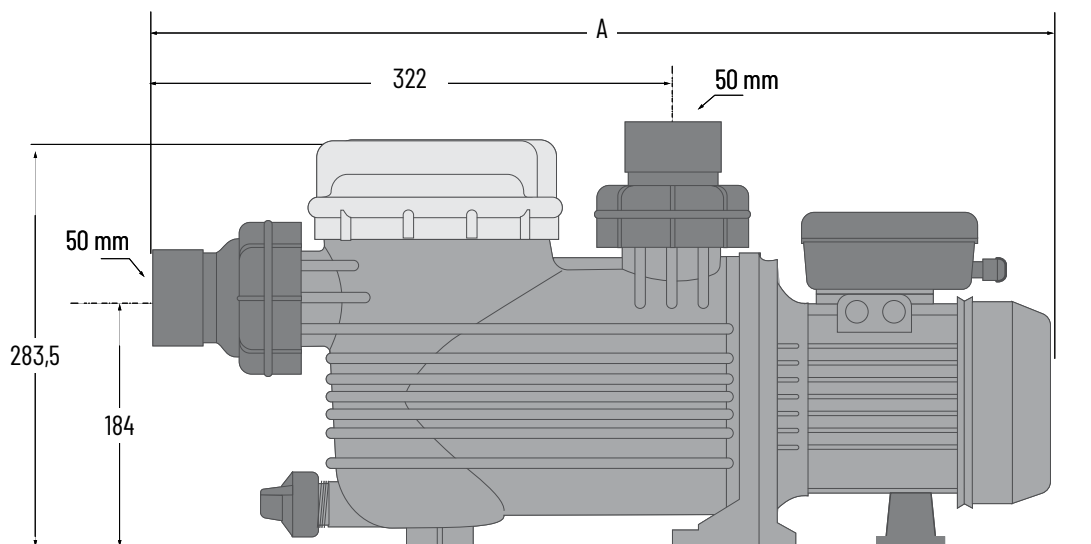
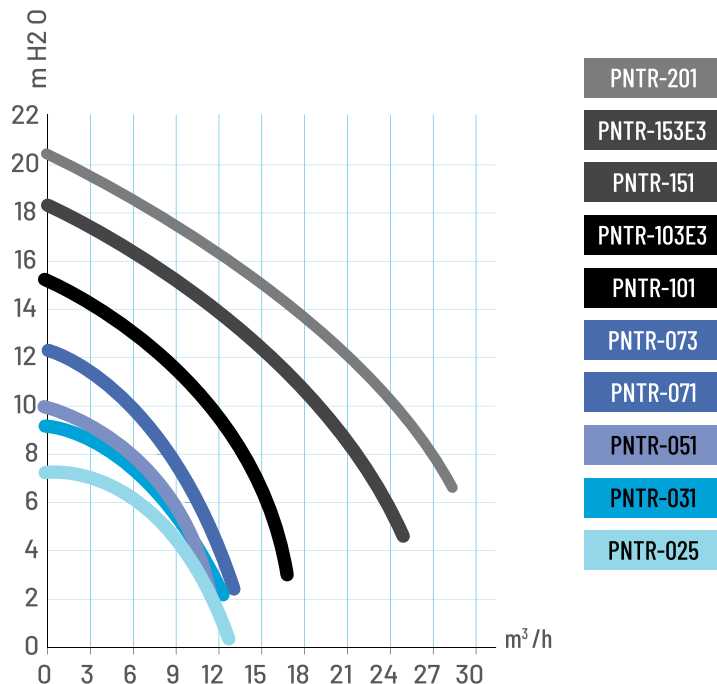
Easier installation and direct plugging into power socket

### DIMENSIONS AND PERFORMANCE

Model	Flow	Power Output		Volt (V)	Phase	Length (A)(mm)	Weight (Kg)
	m <sup>3</sup> /hr @ 8m	(kW)	(HP)				
PNTR-025	4	0.18	0.25	220-240	1~	565	8.3
PNTR-031	6	0.25	0.375	220-240	1~	565	8.4
PNTR-051	7	0.375	0.5	220-240	1~	565	8.6
PNTR-071	9	0.5	0.75	220-240	1~	565	9
PNTR-073	9	0.5	0.75	380-420	3~	565	9
PNTR-101	13	0.75	1	220-240	1~	590	11.2
PNTR-103E3	13	0.75	1	380-420	3~	590	11.2
PNTR-151	20	1.13	1.5	220-240	1~	610	13
PNTR-153E3	20	1.13	1.5	380-420	3~	610	13
PNTR-201	24	1.5	2	220-240	1~	610	14.5
PNTR-203E3	24	1.5	2	380-420	3~	610	14.5

# PANTERA PUMP

SINGLE SPEED PUMPS



Packaging	Length (mm)	Width (mm)	Height (mm)	Pce/Palet
Box	570 (up to PNTR-073) 610 (from PNTR-101)	200	320	-
Palet	80	120	150	24

# PANTERA

HIGH PERFORMANCE PUMPS



## FEATURED HIGHLIGHTS

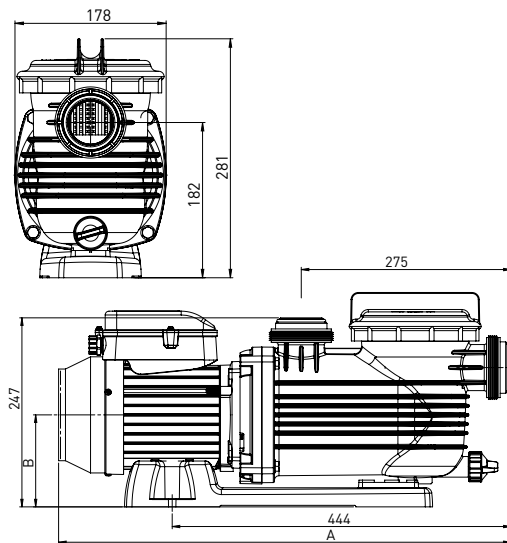
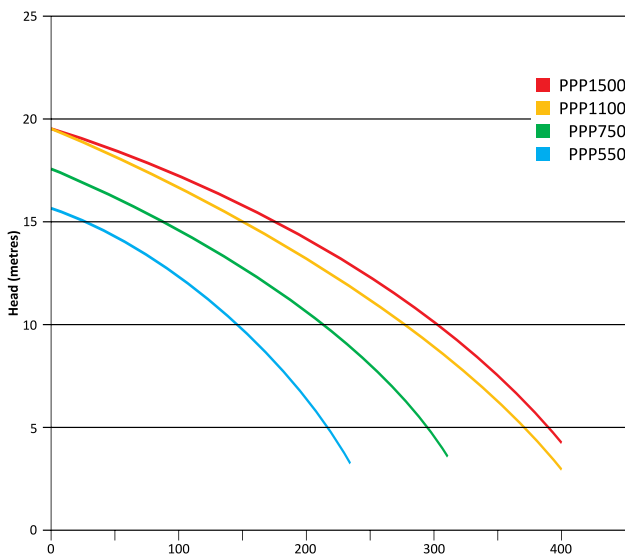
- Stainless steel motor shaft - A 5/8" 316 Stainless Steel shaft extends the life of the pump.
- Shaft Sleeve - A nylon shaft sleeve incorporating a flinger, adds additional water ingress protection.
- Mechanical Seal - A heavy-duty 3/4" 316 Stainless Steel mechanical seal (on all models) provides extended life and longer intervals between servicing.
- Plastic Yoke and Lip-Seal - The wet end design integrates a moulded end-shield cover and lip seal, protecting the motor from water damage.
- Self aligning barrel unions (40mm/50mm) included.
- 3 years limited warranty.\*

Pantera pumps are high performance pumps with 5 levels of corrosion resistance.

## ORDERING INFORMATION

Part	Model	Voltage (VAC)	Full Load (A)	Power Input (P1,W)	Power Output (P2,W)	Nominal Power (hp)	Locked Rotor Current (A)	Capacitor (uF)	Carton Dim(mm).	Carton Weight (Kg.)	Pallet Qty.
PPP-550-1P	<b>Pantera 550</b>	230-240	3.6	825	550	0.75	17	20	660x240x305	14	32
PPP-750-1P	<b>Pantera 750</b>	230-240	3.9	920	690	1.0	17	20	660x240x305	14	32
PPP-1100-1P	<b>Pantera 1100</b>	230-240	5.0	1200	900	1.25	21	25	660x240x305	15	32
PPP-1500-1P	<b>Pantera 1500</b>	230-240	6.1	1360	1020	1.5	21	25	660x240x305	15	32

## DIMENSIONS AND PERFORMANCE\*



Pump Model	PPP-550-1P	PPP-750-1P	PPP-1100-1P	PPP-1500-1P
A (mm)	575	575	593	593
B (mm)	121	121	121	121

\*Terms and conditions apply  
\*All dimensions in mm.

# PANTERA EVOLUTION

HIGH EFFICIENCY 2-SPEED PUMP



## FEATURED HIGHLIGHTS

- Dual speed pump, with 2 fixed speeds, allows you to efficiently filter your pool, saving energy with the low speed mode and delivering extra power with the high speed mode for backwashing and vacuuming..
- 2 pole / 4 pole induction motor delivers high efficiency and low noise levels.
- Electronic control features high speed priming, 2 hour high speed boost mode and sync mode for added functionality
- Drop in replacement for all Leisuretime and PPP pool pumps.
- 3 years limited warranty.\*



The Pantera Evolution utilise efficient hydraulic design and the latest technology in electronic control two speed motors. The Pantera Evo' delivers energy savings for a realistic cost outlay and the power when you need it.

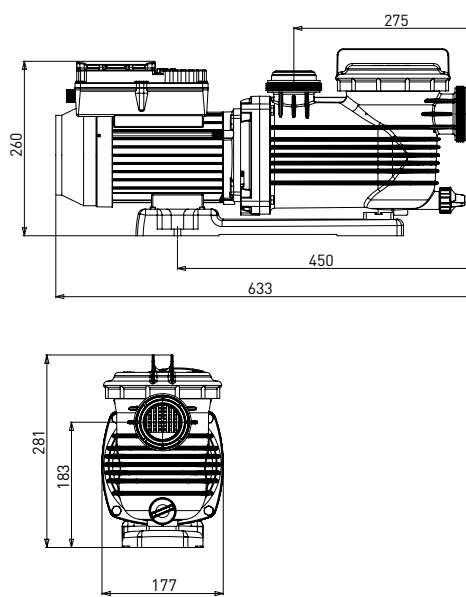
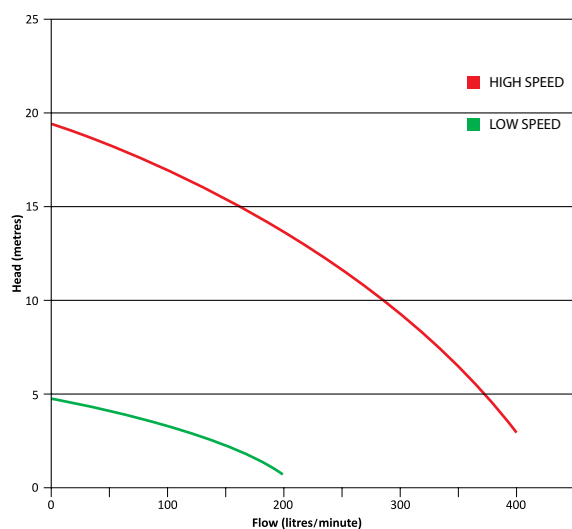
## ORDERING INFORMATION

Part	Model	Voltage (VAC)	Speed	Speed (RPM)	Full Load (A)	Power Input (P1,W)	Power Output (P2,W)	Carton Dim (mm)	Carton Weight (Kg.)	Pallet Qty.
------	-------	---------------	-------	-------------	---------------	--------------------	---------------------	-----------------	---------------------	-------------

### Energy Efficient 2 Speed

PPP-950-2SP	Pantera Evo 2 Speed	230-240	LOW	1400	1.0	223	118	660x240x305	16	32
			HIGH	2850	5.2	1180	950			

## DIMENSIONS AND PERFORMANCE\*



\*Terms and conditions apply  
\*All dimensions in mm.

# SUPERFLO

## SINGLE SPEED SWIMMING POOL PUMPS



### FEATURED HIGHLIGHTS

- Bi-material shaft with Stainless Steel AISI 304 drive-end
- SKF sealed bearings
- Thermal protection (single phase), IE2 compliant (tri-phase <0.75kW), IE3 compliant (tri-phase >0.75kW)
- IP-X5
- Inlet/Outlet - 1.5" BSP tapped
- Ø Unions - 50 mm
- Unions included - No
- Salt resistancy - 0.40%

### FEATURES

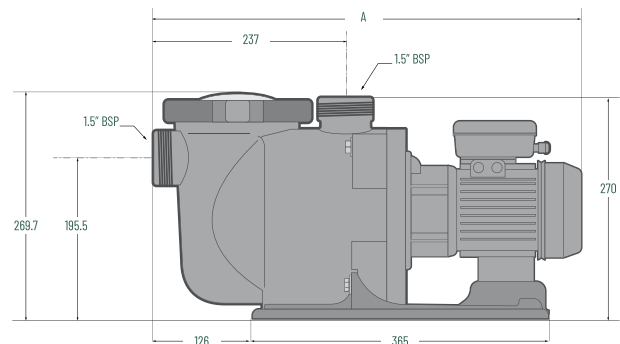
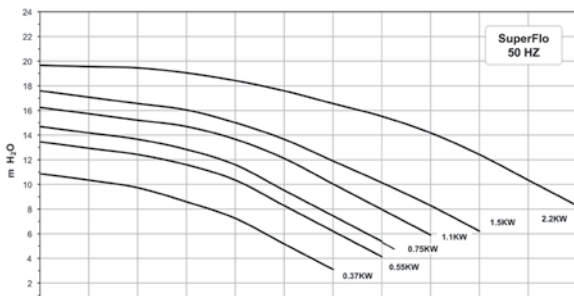
- XL pre filter basket
- 1/4 turn opening lid
- Quick self priming
- One-piece pump body

### BENEFITS

- Longer periods between cleanings
- Easy opening and locking
- Quick and safe start of the pump
- Super silent

### DIMENSIONS AND PERFORMANCE

Model	Flow m <sup>3</sup> /hr @ 8m	Power Output		Volt (V)	Phase	Length (A)(mm)	Weight (Kg)
		(kW)	(HP)				
P-SFL-051	12	0.37	0.5	220-240	1~	546	13.8
P-SFL-071	15	0.55	0.75	220-240	1~	546	14.1
P-SFL-073	15	0.55	0.75	380-420	3~	529	12.5
P-SFL-101	18	0.75	1	220-240	1~	577	14.6
P-SFL-103E3	18	0.75	1	380-420	3~	529	13.9
P-SFL-151	21	1.1	1.5	220-240	1~	577	15.6
P-SFL-153E3	21	1.1	1.5	380-420	3~	557	22.3
P-SFL-201	23	1.5	2	220-240	1~	557	17
P-SFL-203E3	23	1.5	2	380-420	3~	557	23.9
P-SFL-301	29	2.2	3	220-240	1~	588	23.3
P-SFL-303E3	29	1.75	2.3	380-420	3~	588	30



# SUPERFLO® VS 50HZ

VARIABLE SPEED SWIMMING POOL PUMPS



## FEATURED HIGHLIGHTS

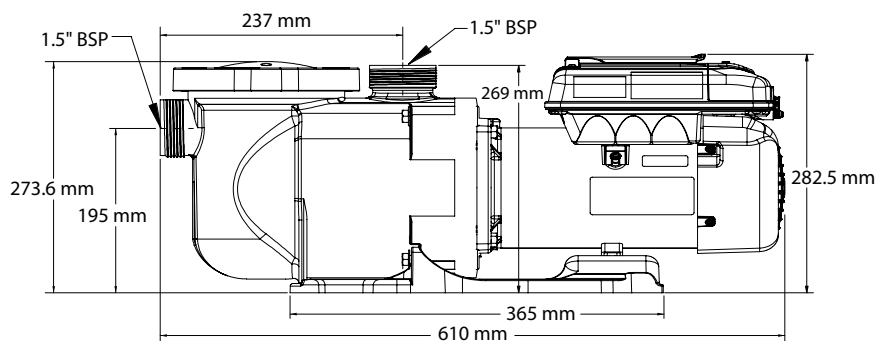
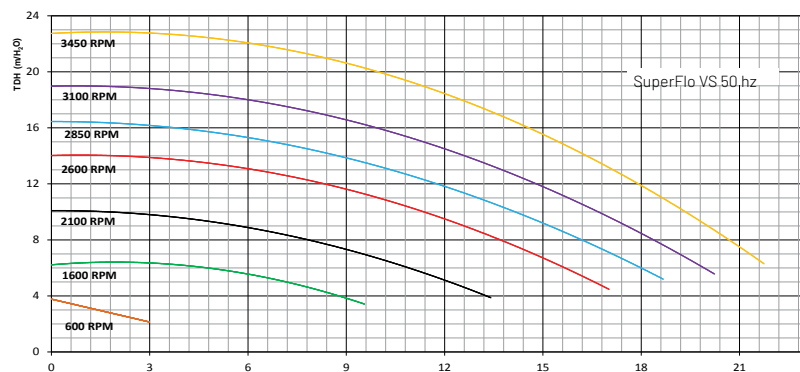
- Variable speed pump.
- Up to 80% energy saving.
- Super silent at low speeds.
- Easy to use control unit.
- 4 pre-set SuperFlo VS speed modes: "Economic", "Swimming", "Heating" and "Backwash", plus manual "Boost".
- Easy installation like any other pool pump.

## ORDERING INFORMATION

Model	kW	HP	Volt
SFL-VS	1,1	1,5	220-240V

Union kit (R170450 ) included

## DIMENSIONS AND PERFORMANCE



# SUPERFLO VS2

VARIABLE SPEED SWIMMING POOL PUMPS



VS2 DISPLAY

## FEATURED HIGHLIGHTS

- Oversized 3hp asynchronous motor derated to 1.5hp to deliver high efficiency even at high speed
- 3 programmable speed/time + override
- Simple and intuitive LCD display with Watts, RPM & time info
- 4 digital inputs for external control (optional communication cable - PN. 356324Z)
- Inlet/Outlet - 1.5" BSP tapped
- Ø Unions - 50 mm
- Unions included - Yes
- Salt resistancy - 0.40%

## FEATURES

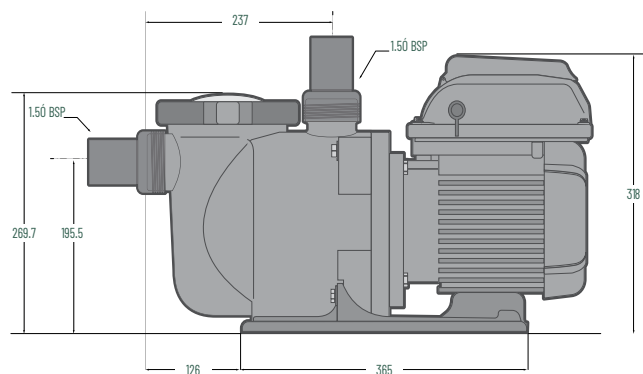
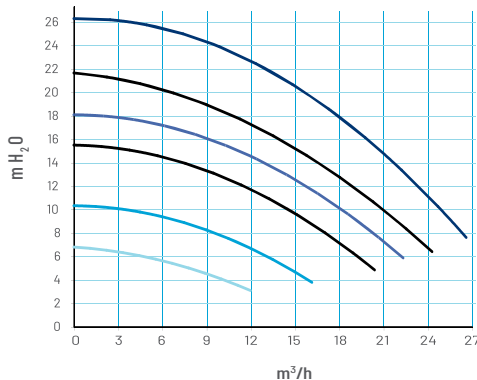
- XL pre filter basket
- 1/4 turn opening lid
- Quick self priming
- One-piece pump body
- Oversized and robust motor

## BENEFITS

- Longer periods between cleanings
- Easy opening and locking
- Quick and safe start of the pump
- Super silent
- Extremely reliable and efficient pump

## DIMENSIONS AND PERFORMANCE

Model	Flow m <sup>3</sup> /hr @ 8m	Power Output		Volt (V)	Phase	Length (A) (mm)	Weight (Kg)
		(kW)	(HP)				
SFL1-VS2	26	1.1	1.5	220-240	1~	605	21.6



## PACKAGING

Packing	Length (mm)	Width (mm)	Height (mm)	PCE/Pallet
Box	79	37	43	-
Pallet	120	80	150	9

# SUPERFLO® 60 HZ

HIGH PERFORMANCE SWIMMING POOL PUMPS



## FEATURED HIGHLIGHTS

- SuperFlo® by Pentair is a direct replacement for the Hayward® Super Pump®\*.
- Extremely quiet operation.
- Unionized fittings included (1-1/2 in. internal slip and 2 in. external slip).
- Cam and Ramp™ Lid.
- Heavy-duty, high service factor 56 square flange motor.
- Integral volute and pot reduce hydraulic noise.

The **SuperFlo®** pumps are specifically designed to be the best choice for a variety of inground pools. The SuperFlo® features thick walled body parts, a heavy-duty 56 square flange motor, and highly engineered hydraulics. SuperFlo's silent running capability and small footprint allow it to easily drop into a compact equipment pad.

## ORDERING INFORMATION

Product	Model	Voltage	Full Load Amps	HP	SF	SFHP	Primary Listings and Certifications <sup>3</sup>	Port Size (NPT)	Carton Wt. (Lbs.)	Curve Key
---------	-------	---------	----------------	----	----	------	--	-----------------	-------------------	-----------

### Standard Efficiency Single Speed

340036	SF-N1-1/2F	115/230	10.8/5.4	1/2	1.95	0.95	UL <sup>1</sup> , NSF <sup>2</sup>	1.5 in. x 1.5 in.	38	E
340037	SF-N1-3/4A	115/230	10.8/5.4	3/4	1.25	0.93	UL <sup>1</sup> , NSF <sup>2</sup>	1.5 in. x 1.5 in.	38	F
340038	SF-N1-1A	115/230	14.2/7.1	1	1.25	1.25	UL <sup>1</sup> , NSF <sup>2</sup>	1.5 in. x 1.5 in.	38	G
340039	SF-N1-1-1/2A	115/230	16.0/8.0	1.5	1.10	1.65	UL <sup>1</sup> , NSF <sup>2</sup>	1.5 in. x 1.5 in.	40	H
340040	SF-N1-2A	115/230	22.4/11.2	2	1.10	2.20	UL <sup>1</sup> , NSF <sup>2</sup>	1.5 in. x 1.5 in.	48	I
340041	SF-N1-2-1/2A	230	11.5	2-1/2	1.04	2.60	UL <sup>1</sup> , NSF <sup>2</sup>	1.5 in. x 1.5 in.	54	J

### Accessories

**350157** Union Kit – 1-1/2 in. Internal Slip x 2 in. External Slip (includes 2 unions as pictured above)

<sup>1</sup>'UL' indicates that pump bears a UL mark signifying evaluation to U.S. Standards UL1081 for Permanently Connected Swimming Pool and Spa Pumps and to Canadian Standards CAN/CSA C22.2 No. 108-01 Liquid Pumps For Swimming Pools Only (Enclosure 3).

<sup>2</sup>'NSF' indicates that pump bears a NSF mark signifying evaluation to NSF Standard 50 For Self-Priming Centrifugal Pumps For Swimming Pools Only.

<sup>3</sup>Product may have been evaluated to other state and local regulatory standards. Listing status may change. Always confirm status with appropriate agency if in doubt.

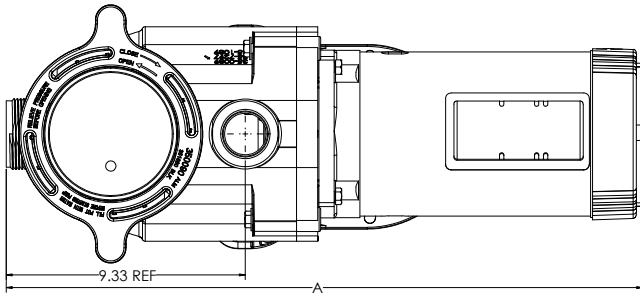
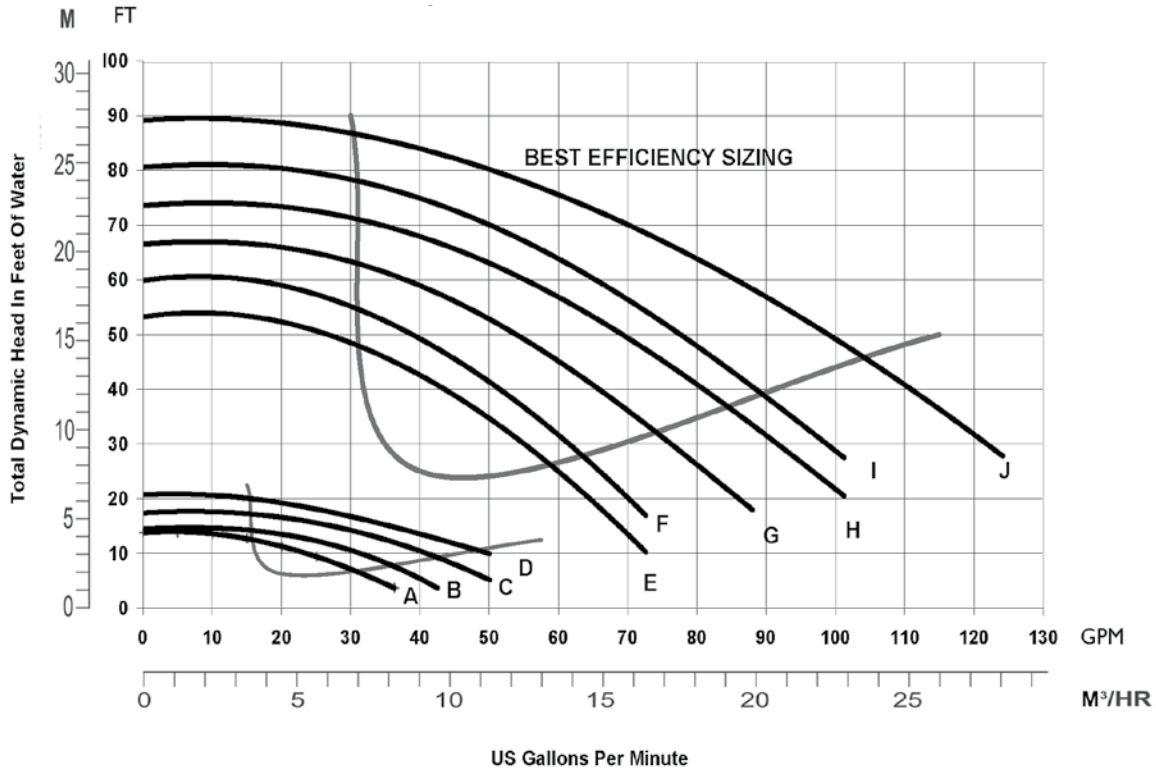
\* Hayward® and Super Pump® are registered trademarks of Hayward Industries, Inc.



# SUPERFLO® 60 HZ (CONT'D)

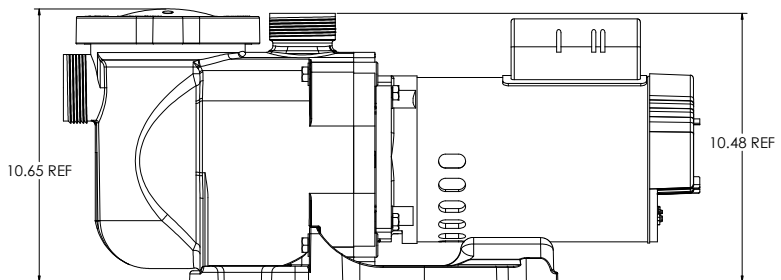
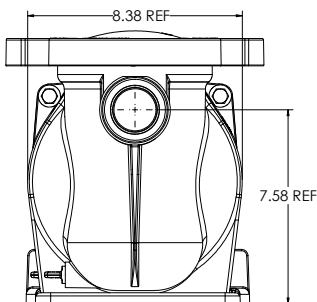
HIGH PERFORMANCE SWIMMING POOL PUMPS

## DIMENSIONS AND PERFORMANCE



### A- VARYING LENGTH

HP	STD EFF
0.5	23.89
0.75	23.89
1	23.89
1.5	24.27
2	25.89
2.5	25.89



# WHISPERFLO

## SINGLE SPEED SWIMMING POOL PUMPS



### FEATURED HIGHLIGHTS

- Induction asynchronous motor
- Bi-material shaft with Stainless Steel AISI 304 drive-end
- SKF sealed bearings
- Thermal protection (single phase), IE2 compliant (tri-phase <0.75kW), IE3 compliant (tri-phase >0.75kW)
- IP-X5
- Inlet/Outlet - 2" BSP tapped
- Ø Unions - 50 mm or 63 mm
- Unions included - No
- Salt resistancy - 0.40%

### FEATURES

1/4 turn opening lid

Quick self priming

One-piece pump body



### BENEFITS

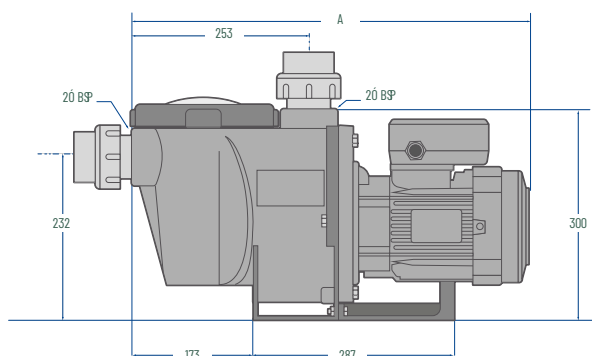
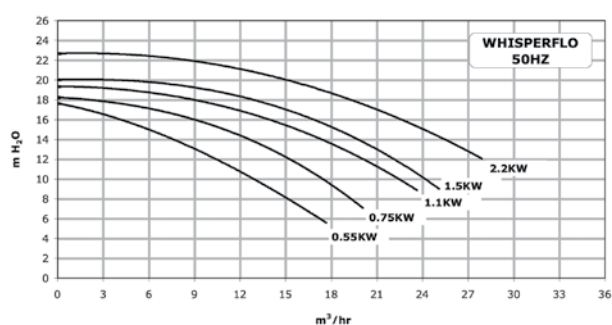
Easy opening and locking

Quick and safe start of the pump

Super silent

### DIMENSIONS AND PERFORMANCE

Model	Flow m <sup>3</sup> /hr @ 8m	Power Output		Volt (V)	Phase	Length (A) (mm)	Weight (Kg)
		(kW)	(HP)				
P-WFL-071	15	0.55	0.75	220-240	1~	542	14.3
P-WFL-073	15	0.55	0.75	380-420	3~	534	12.6
P-WFL-101	19	0.75	1	220-240	1~	542	13.7
P-WFL-103E3	19	0.75	1	380-420	3~	534	14.3
P-WFL-151	23	1.1	1.5	220-240	1~	562	15.3
P-WFL-153E3	23	1.1	1.1	380-420	3~	562	22.3
P-WFL-201	24	1.5	2	220-240	1~	562	16.8
P-WFL-203E3	24	1.5	2	380-420	3~	562	23.9
P-WFL-310	32	2.2	3	220-240	1~	593	23
P-WFL-303E3	32	1.75	2.34	380-420	3~	593	30.3



# WHISPERFLO®

HIGH PERFORMANCE PUMPS



## FEATURED HIGHLIGHTS

- Unique FunnelFlo™ diffuser and high-efficiency impeller maximise water flow and energy efficiency whilst minimising turbulence and noise.
- Specially engineered design assures whisper-quiet operation.
- Oversized strainer basket and volute extends time between cleaning.
- See-through lid makes inspection fast and easy and the engineered polymer will remain clear for years.
- Lower HP's deliver higher performance than industry standard.
- Compatible with all cleaning systems, various filters and jet action spas.
- Heavy-duty/durable construction is designed for long life.
- Designed for residential and commercial applications.
- User friendly Cam & Ramp™ lid is easy to remove and quickly locks in place with a quarter turn.
- 50mm /2" barrel unions included.
- 3 years limited warranty.\*



We call it the WhisperFlo pump for good reasons. The innovative hydraulic design moves water more efficiently and more quietly than conventional pumps. Our legendary hydraulic design has been refined over 40 years for superior performance. Under typical operating conditions, WhisperFlo delivers high water flow with low electrical consumption.

WhisperFlo is designed to be a tireless workhorse, its engineered thermoplastic housing withstands extreme heat and resists corrosion. The commercial grade motor has a rust-resistant, stainless steel shaft and sealed bearings that never need lubrication. Engineered to provide optimum performance in any size pool and spa combination.

## ORDERING INFORMATION

Part	Model	Voltage (VAC)	Full Load (A)	Power Input (P1,W)	Power Output (P2,W)	Nominal Power (hp)	Locked Rotor Current (A)	Capacitor (uF)	Carton Dim(mm).	Carton Weight (Kg.)	Pallet Qty.
------	-------	---------------	---------------	--------------------	---------------------	--------------------	--------------------------	----------------	-----------------	---------------------	-------------

### High Performance Single Phase

WHFL-750-1P	<b>WhisperFlo 750</b>	230-240	3.8	890	670	1	14	25	725x325x390	15	12
WHFL-1100-1P	<b>WhisperFlo 1100</b>	230-240	5.5	1260	945	1.5	22	25	725x325x390	19.5	12
WHFL-1500-1P	<b>WhisperFlo 1500</b>	230-240	6.3	1490	1120	2	28	35	725x325x390	22	12
WHFL-2100-1P	<b>WhisperFlo 2100</b>	230-240	9.0*	2020	1610	3	42	2x25	725x325x390	27	12

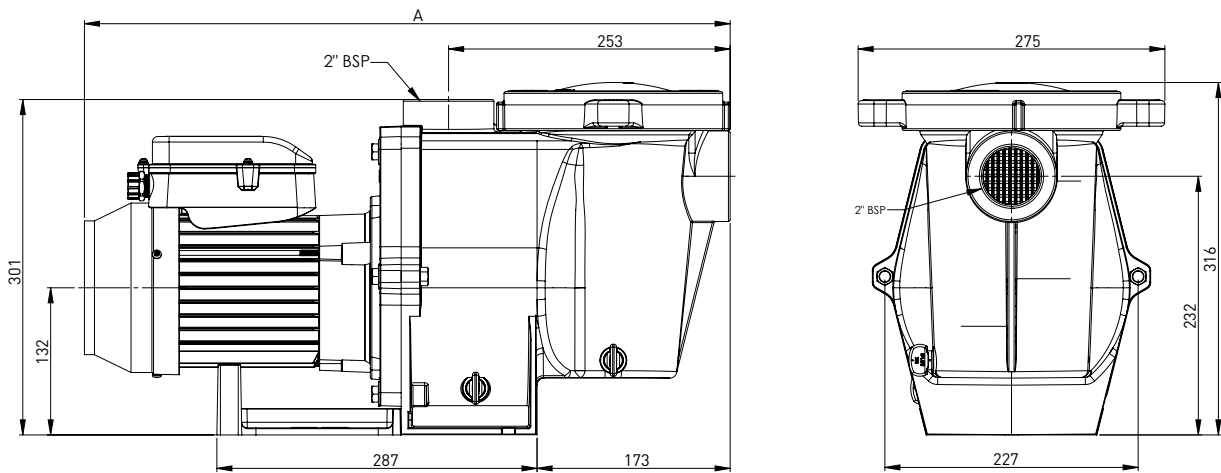
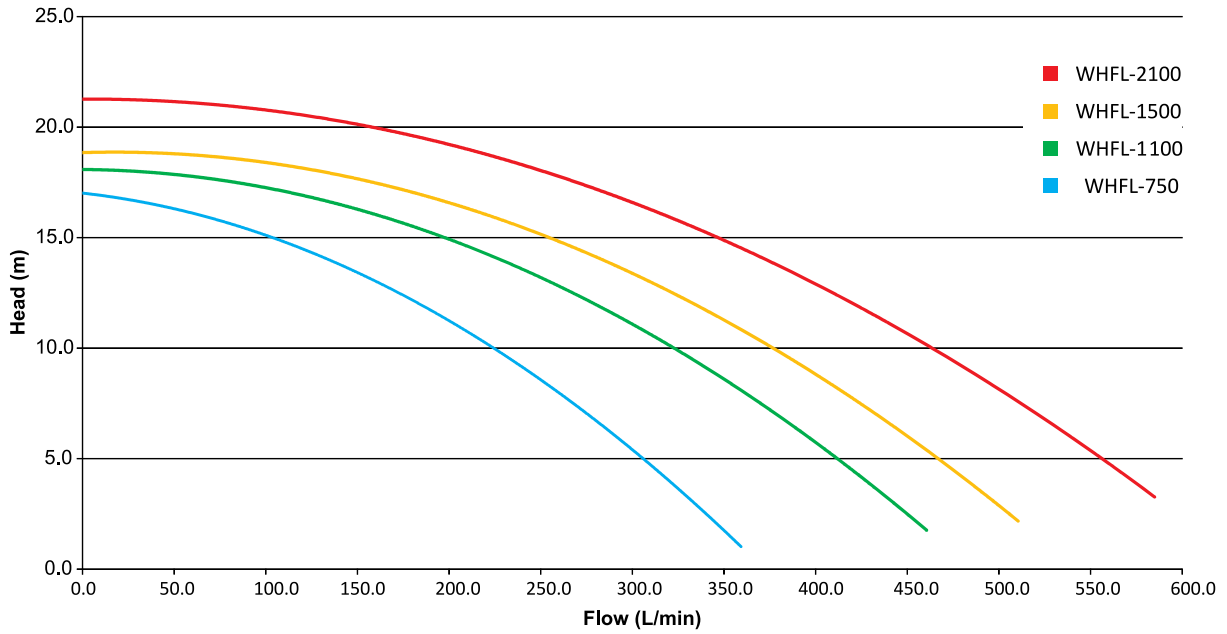
\*Terms and conditions apply

\*WhisperFlo 2100 is equipped with a 15A plug

# WHISPERFLO®

HIGH PERFORMANCE PUMPS

## DIMENSIONS AND PERFORMANCE\*



Pump Model	WHFL750	WHFL1100	WHFL1500	WHFL2100
A (mm)	570	580	620	620

\*All dimensions in mm.

# WHISPERFLO® VSF

INTELLIGENT VARIABLE FLOW SWIMMING POOL PUMPS



## FEATURED HIGHLIGHTS

- Permanent Magnet Synchronous Motor (PMSM).
- High efficiency (3450 RPM 92% and 1000 RPM 90%)
- Superior speed control and low noise
- Operates at lower temperatures due to high efficiency
- Same technology as deployed in hybrid electric vehicle
- Designed to withstand outdoor environment
- Totally enclosed fan cooled
- 10-Pole

## ORDERING INFORMATION

Model	kW	HP	Volt
-------	----	----	------

### Whisperflo® VSF

<b>WFL-VSF</b>	2,20	3	220-240v
----------------	------	---	----------

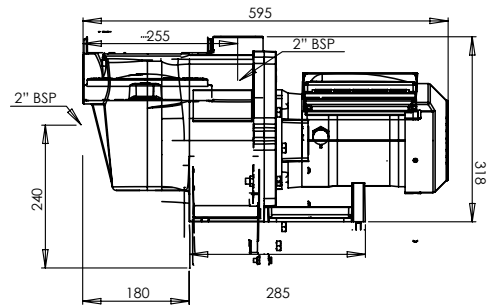
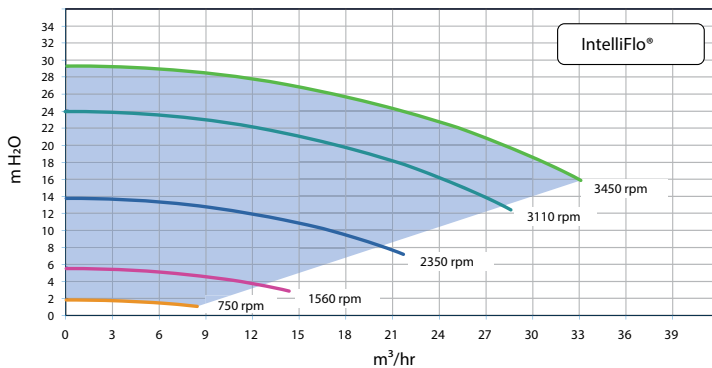
Union Kit not included (R170498-2pcs)

## DIMENSIONS AND PERFORMANCE

Model	Length (cm)	Width (cm)	Height (cm)	Weight (kg)	Pcs by pallet	Length pallet (cm)	Width pallet (cm)	Height pallet (cm)
-------	-------------	------------	-------------	-------------	---------------	--------------------	-------------------	--------------------

### IntelliFlo® VSF

<b>WFL-VSF</b>	65	33	38	23,0	24	130	100	165
----------------	----	----	----	------	----	-----	-----	-----



IntelliFlo® WhisperFlo® VF

# WHISPERFLO® VSD

INTELLIGENT VARIABLE SPEED SWIMMING POOL PUMPS



## FEATURED HIGHLIGHTS

- Variable Speed Pump with NEW VARIABLE SPEED DRIVE.
- Up to 90% energy saving while being extremely silent (45dBA) at low speeds.
- Easy to use and set up.
- Integrated motor protection (thermal, overcurrent).
- Ultra efficient permanent magnet motor.
- Display showing RPM and energy consumption.
- Up to 12 programmable speeds with integrated timing options.
- Password protection , priming and anti freeze protection can be activated.
- Compatible with IntelliPool™ pool automation system as well as IntelloComm™.
- Us version in almond color available under p/n 011018

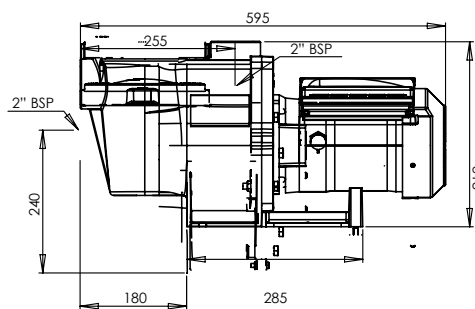
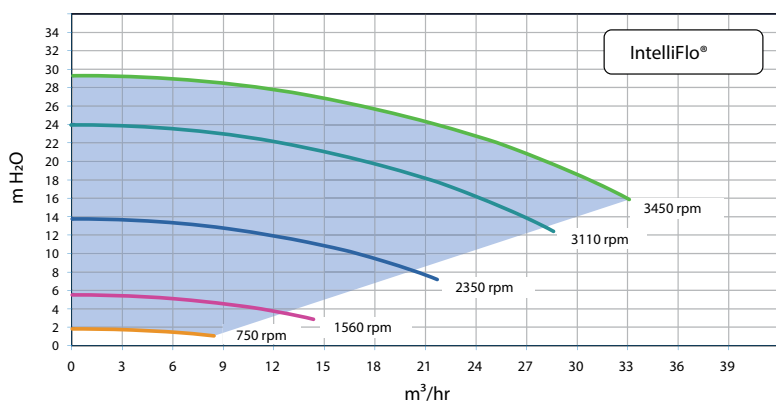
## ORDERING INFORMATION

Model	kW	HP	Volt
<b>Whisperflo® VSD</b>			
WFL-VSD	2,20	3	220-240v

Union Kit not included (R170498-2pcs)

## DIMENSIONS AND PERFORMANCE

Model	Length (cm)	Width (cm)	Height (cm)	Weight (kg)	Pcs by pallet	Length pallet (cm)	Width pallet (cm)	Height pallet (cm)
<b>Whisperflo® VSD</b>								
WFL-VSD	65	33	38	23,0	24	130	100	165



WhisperFlo® VSD

# WHISPERPRO® 50 HZ

ENERGY EFFICIENT SWIMMING POOL PUMPS



## FEATURED HIGHLIGHTS

- Self-priming.
- "Cam and Ramp™" locking lid.
- Single piece body for quiet operation.
- Made from high-temperature, engineered thermoplastic to withstand extreme heat and prevent corrosion.
- High-grade Ansi 316 stainless steel motor shaft as well as mechanical seal and inserts in Impeller, Diffuser and Seal plate.
- For Salt-water application up to 0.4% salt concentration or 4 gr/liter.
- Single phase motors are thermally protected.
- IP55 motor enclosure – insulation class F.
- Direct replacement for WhisperFlo.

## ORDERING INFORMATION

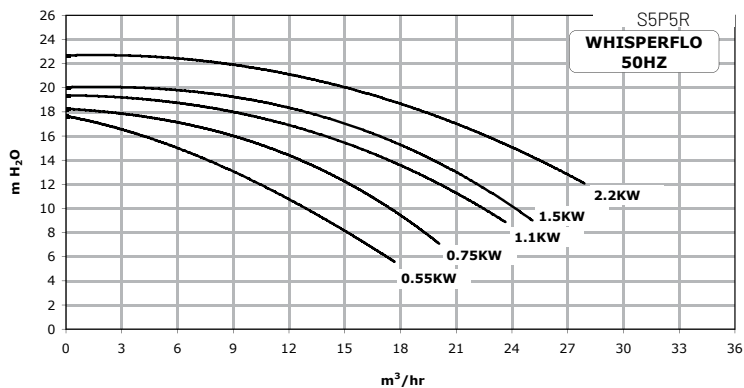
Model	kW	HP	Volt	Phase
<b>WhisperPro® 50 Hz</b>				
S5P5RD-1	0,55	3/4	220-240V	1~
S5P5RD-3	0,55	3/4	380-420V	3~
S5P5RE-1	0,75	1	220-240V	1~
S5P5RE-3E3*	0,75	1	380-420V	3~
S5P5RF-1	1,10	1,5	220-240V	1~
S5P5RF-3E3*	1,10	1,5	380-420V	3~
S5P5RG-1	1,50	2	220-240V	1~
S5P5RG-3E3*	1,50	2	380-420V	3~
S5P5RH-1	2,20	3	220-240V	1~
S5P5RH-3E3*	2,20	3	380-420V	3~

\*IE3-compliant  
Union Kit included (R170498-2pcs)

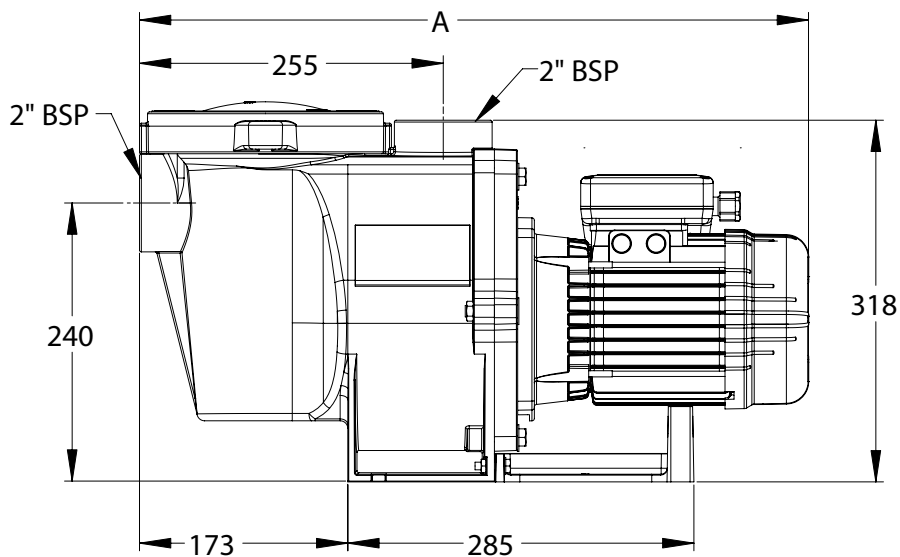
Model	Length (cm)	Width (cm)	Height (cm)	Gross Weight (kg)	Pcs by pallet	Length pallet (cm)	Width pallet (cm)	Height pallet (cm)
<b>WhisperPro® 50 Hz</b>								
S5P5RD-1	65	33	38	14,3	24	130	100	165
S5P5RD-3	65	33	38	12,6	24	130	100	165
S5P5RE-1	65	33	38	13,7	24	130	100	165
S5P5RE-3E3*	65	33	38	14,3	24	130	100	165
S5P5RF-1	65	33	38	15,3	24	130	100	165
S5P5RF-3E3*	65	33	38	22,3	24	130	100	165
S5P5RG-1	65	33	38	16,8	24	130	100	165
S5P5RG-3E3*	65	33	38	23,9	24	130	100	165
S5P5RH-1	65	33	38	25,0	24	130	100	165
S5P5RH-3E3*	65	33	38	30,3	24	130	100	165

# WHISPERPRO® 50 HZ (CONT'D)

ENERGY EFFICIENT SWIMMING POOL PUMPS



Model	A
	mm
S5P5RD-1	562
S5P5RD-3	567
S5P5RE-1	572
S5P5RE-3E3*	602
S5P5RF-1	572
S5P5RF-3E3*	602
S5P5RG-1	607
S5P5RG-3E3*	642
S5P5RH-1	632
S5P5RH-3E3*	647



\* Dimensions refer to IE2-equivalent model.



# WHISPERFLO® 60HZ

ENERGY EFFICIENT SWIMMING POOL PUMPS



## FEATURED HIGHLIGHTS

- Oversized strainer basket and volute – industry standard in pool pumps
- Standard and Energy-efficient Square Flange Motors available
- Lower HP's deliver higher performance than industry standard
- Compatible with all cleaning systems, various filters and jet action spas
- Heavy-duty/durable construction is designed for long life
- Designed for residential and commercial applications
- New motor increases life, energy, efficiency, ease of installation and better cooling for long service life

Robust thermoplastic with the Cam & Ramp™ “see thru” lid design. Self-priming, high flow with patented Funnel-Flo™ diffusers. 2 in. suction and discharge ports. Motor features threaded shaft and durable commercial duty 56 frame motor with NEMA square flange.

## ORDERING INFORMATION

Product	Model	Voltage	Full Load Amps	HP	SF	SFHP	Primary Listings and Certifications <sup>3</sup>	Port Size (NPT)	Carton Wt. Lbs.)	Curve Key
---------	-------	---------	----------------	----	----	------	--	-----------------	------------------	-----------

### Standard Efficiency Single Speed Full Rated

011578	WF-2	115/230	10.8/5.4	1/2	1.95	0.95	UL <sup>1</sup> , NSF <sup>2</sup>	2 in. x 2 in.	41	E
011579	WF-3	115/230	14.2/7.1	3/4	1.67	1.25	UL <sup>1</sup> , NSF <sup>2</sup>	2 in. x 2 in.	41	F
011580	WF-4	115/230	16.0/8.0	1	1.65	1.65	UL <sup>1</sup> , NSF <sup>2</sup>	2 in. x 2 in.	46	G
011581	WF-6	115/230	22.4/11.2	1-1/2	1.50	2.25	UL <sup>1</sup> , NSF <sup>2</sup>	2 in. x 2 in.	54	H
011582	WF-8	230	11.5	2	1.30	2.60	UL <sup>1</sup> , NSF <sup>2</sup>	2 in. x 2 in.	55	I

<sup>1</sup>UL' indicates that pump bears a UL mark signifying evaluation to U.S. Standards UL1081 for Permanently Connected Swimming Pool and Spa Pumps and to Canadian Standards CAN/CSA C22.2 No. 108-01 Liquid Pumps For Swimming Pools Only (Enclosure 3).

<sup>2</sup>NSF' indicates that pump bears a NSF mark signifying evaluation to NSF Standard 50 For Self-Priming Centrifugal Pumps For Swimming Pools, Spas and Hot Tubs.

<sup>3</sup>Product may have been evaluated to other state and local regulatory standards. Listing status may change. Always confirm status with appropriate agency if in doubt.

Product	Model	Voltage	Full Load Amps	HP	SF	SFHP	Primary Listings and Certifications <sup>3</sup>	Port Size (NPT)	Carton Wt. Lbs.)	Curve Key
---------	-------	---------	----------------	----	----	------	--	-----------------	------------------	-----------

### Accessories

11201-0154	2 in. x 2 in. Union (2 in. NPT male x 2 in. female NPT quick connect) Note: two required per pump (sold individually)									
------------	---	--	--	--	--	--	--	--	--	--

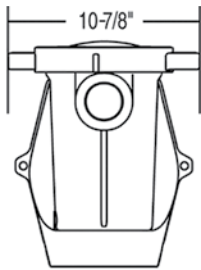
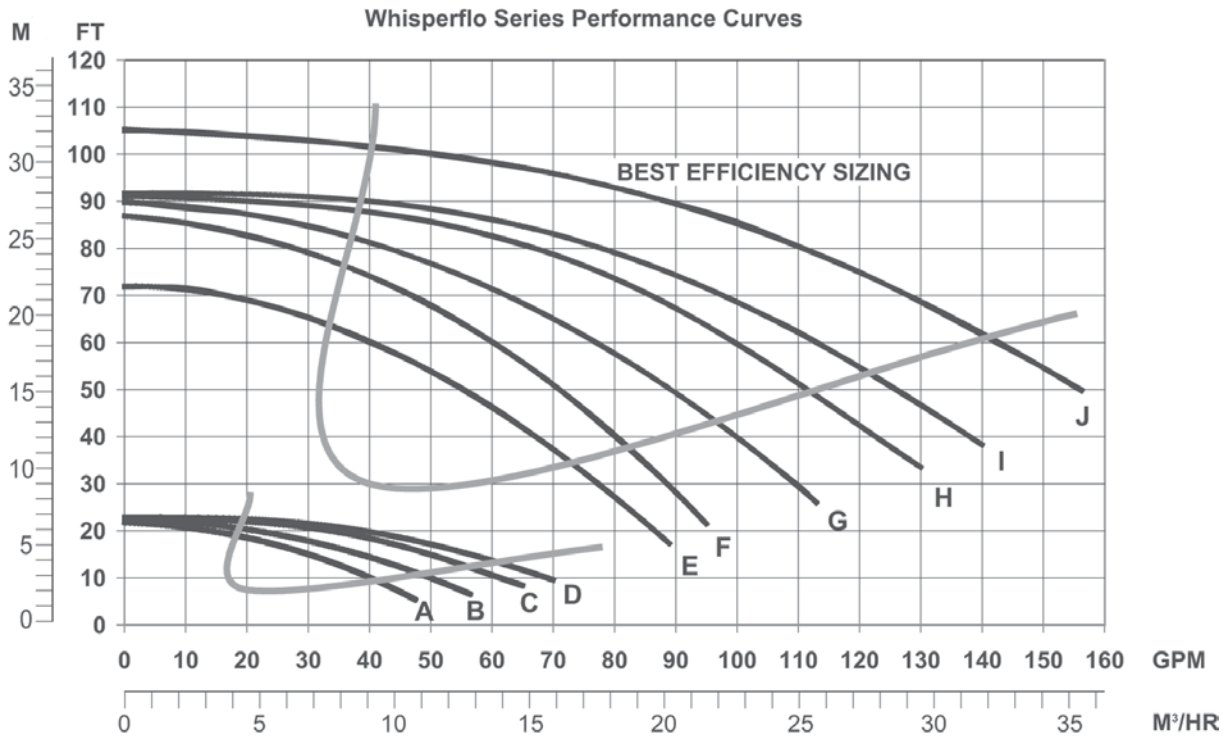
<sup>1</sup>UL' indicates that pump bears a UL mark signifying evaluation to U.S. Standards UL1081 for Permanently Connected Swimming Pool and Spa Pumps and to Canadian Standards CAN/CSA C22.2 No. 108-01 Liquid Pumps For Swimming Pools Only (Enclosure 3).

<sup>2</sup>NSF' indicates that pump bears a NSF mark signifying evaluation to NSF Standard 50 For Self-Priming Centrifugal Pumps For Swimming Pools, Spas and Hot Tubs.

<sup>3</sup>Product may have been evaluated to other state and local regulatory standards. Listing status may change. Always confirm status with appropriate agency if in doubt.

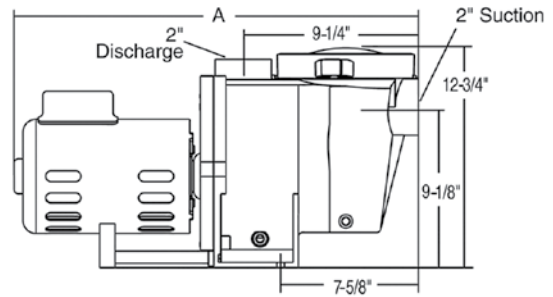
# WHISPERFLO® 60 HZ (CONT'D)

ENERGY EFFICIENT SWIMMING POOL PUMPS



**A - varying length:**

- ½ & ¾ hp = 24.469"
- 1 hp = 24.72"
- 1-½ hp = 25.22"
- 2 & 3 hp = 25.72"



# WHISPERFLO XF® 60 HZ

ENERGY EFFICIENT SWIMMING POOL PUMPS



Developed using advanced engineering tools available - CFD (Computational Fluid Dynamics) and FEA (Finite Element Analysis). The impeller design delivers high level of precision concentricity for increased efficiency.

## FEATURED HIGHLIGHTS

- Drop-in replacement for all WhisperFlo® models.  
Simple replacement for Challenger® pumps.\*
- Hydraulic isolator separates priming water from pumping water for faster priming, more turbulent-free flow and increased efficiency.
- Dual-compartment motor for simplified field wiring.
- Union connectors included for connecting directly to 2.5" or 3" plumbing.
- Diamond seals made of oxidation-resistant, self-retaining EPDM rubber for increased durability and tighter seal.
- Extra large, robust basket with smooth surface for easy debris removal.
- Easy-carry handle; easily removable ergonomic lock ring; and see-through lid for easy basket inspection.

\*Optional riser base for Challenger replacements. Part # 400012 available separately.

## ORDERING INFORMATION

Product	Model	Voltage	Full Load Amps	HP	SF	SFHP	Primary Listings and Certifications <sup>3</sup>	Port Size (NPT)	Carton Wt. (Lbs.)	Curve Key
---------	-------	---------	----------------	----	----	------	--	-----------------	-------------------	-----------

### Standard Efficient Single Speed Up Rated

022013	XF-12	208V-230V	14.15	3	1.15	3.45	UL <sup>1</sup> , NSF <sup>2</sup>	2.5 in. x 2.5 in. OR 3 in. x 3 in.	60	B
--------	-------	-----------	-------	---	------	------	------------------------------------	------------------------------------	----	---

### Standard Efficiency Single Speed Full Rated

022011	XFE-20	208V-230V	22/19.9	5	1.0	5.0	UL <sup>1</sup> , NSF <sup>2</sup>	2.5 in. x 2.5 in. OR 3 in. x 3 in.	60	A
--------	--------	-----------	---------	---	-----	-----	------------------------------------	------------------------------------	----	---

<sup>1</sup>'UL' indicates that pump bears a UL mark signifying evaluation to U.S. Standards UL1081 for Permanently Connected Swimming Pool and Spa Pumps and to Canadian Standards CAN/CSA C22.2 No. 108-01 Liquid Pumps For Swimming Pools Only (Enclosure 3).

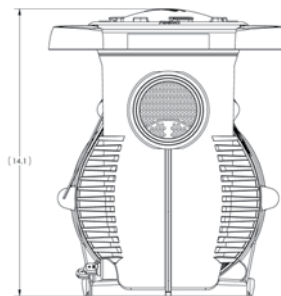
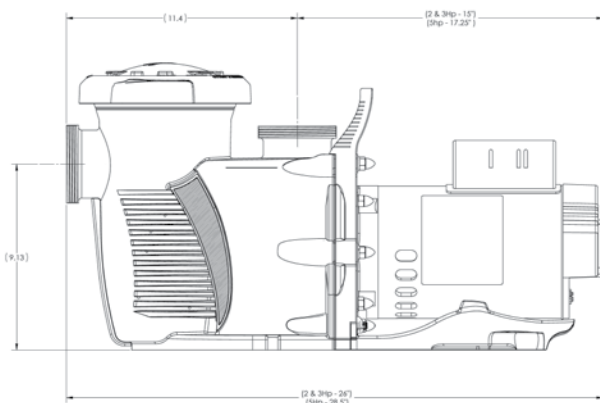
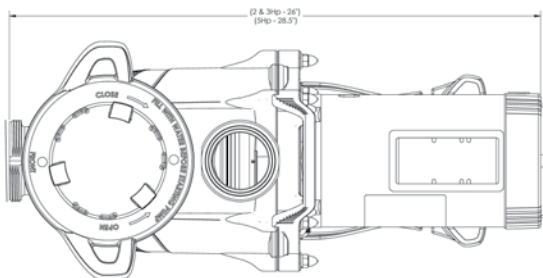
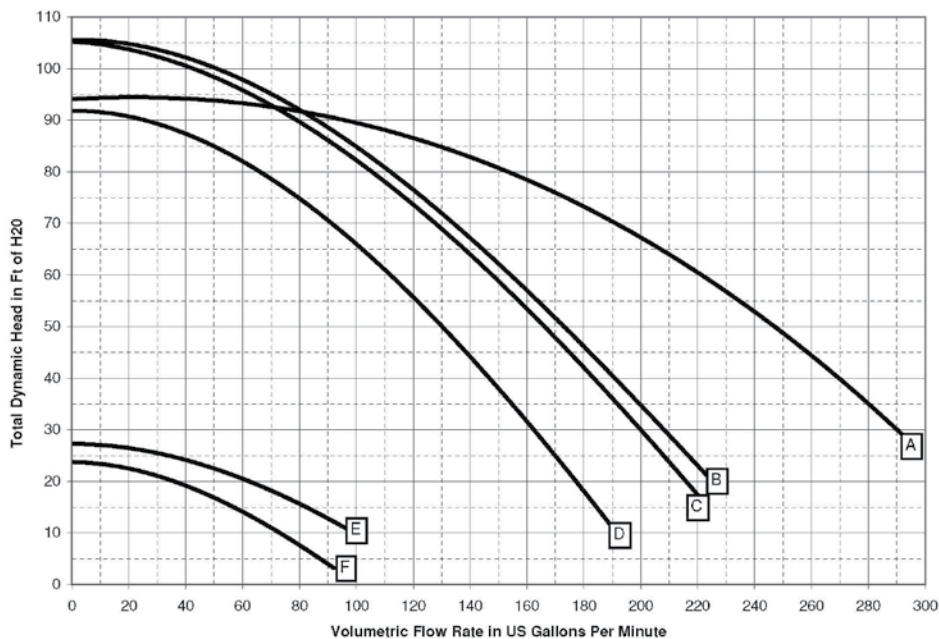
<sup>2</sup>'NSF' indicates that pump bears a NSF mark signifying evaluation to NSF Standard 50 For Self-Priming Centrifugal Pumps For Swimming Pools, Spas and Hot Tubs.

<sup>3</sup>Product may have been evaluated to other state and local regulatory standards. Listing status may change. Always confirm status with appropriate agency if in doubt.

# WHISPERFLO XF<sup>®</sup> 60 HZ (CONT'D)

ENERGY EFFICIENT SWIMMING POOL PUMPS

## DIMENSIONS AND PERFORMANCE



# BLUEFLO®

## SWIMMING POOL PUMPS



### FEATURED HIGHLIGHTS

- Superior hydraulic design and optional energy-efficient motor deliver effortless performance, energy savings, and extended pump life.
- High-capacity trap holds a large amount of debris for longer periods between cleaning.
- The Cam and Ramp™ lid is easy to remove and locks in place with a quarter turn, making inspection and cleaning a breeze.
- Includes quick-disconnect plumbing unions for faster disassembly and easier service.

A rapid, self-priming, medium head pump in 1/2 through 2-1/2 HP with an extra large, integral hair and lint strainer. Precision-molded with Sta-Rite's innovative thermoplastic composite resin that is highly corrosion resistant.

### ORDERING INFORMATION

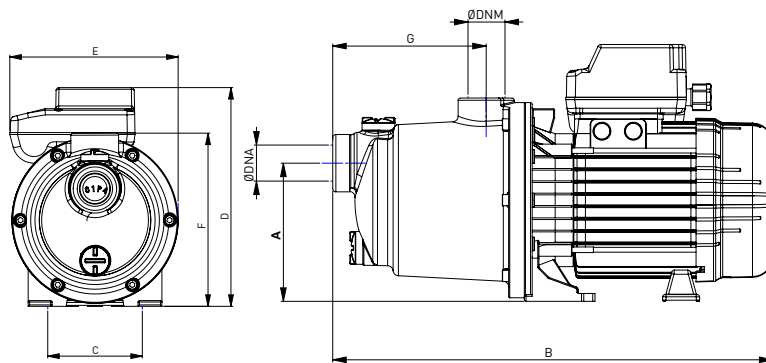
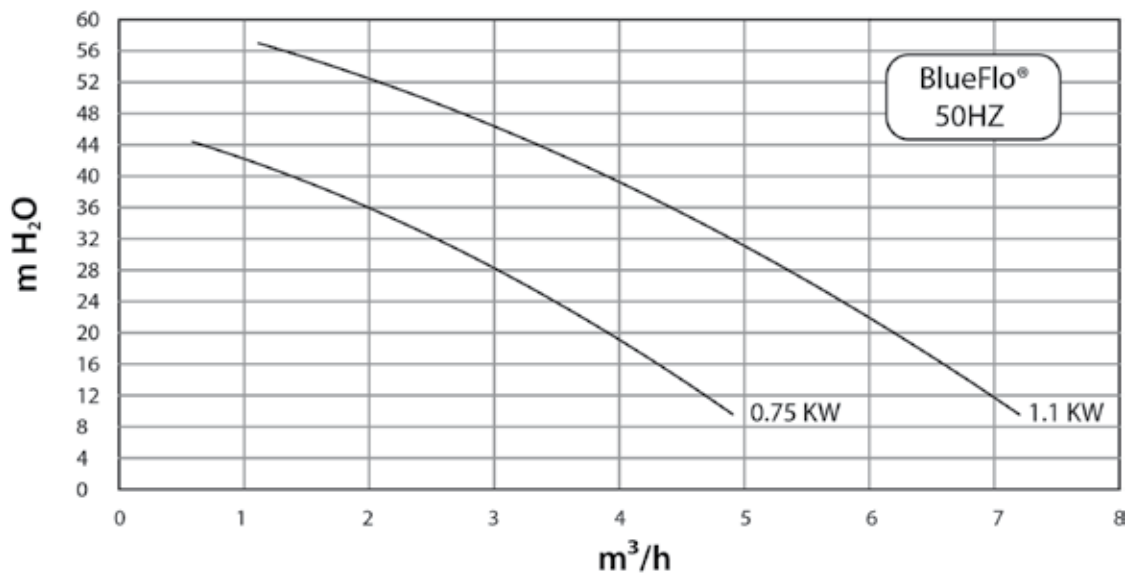
Model	kW	HP	Volt	Phase	Stage
P-BFL-101	0,75	1	220V-240V	1~	4
P-BFL-101-L	0,75	1	220V-240V	1~	4
P-BFL-151	1,10	1,5	220-240V	1~	5

Model	Length (cm)	Width (cm)	Height (cm)	Gross Weight (kg)	Pcs by pallet	Length pallet (cm)	Width pallet (cm)	Height pallet (cm)
P-BFL-101	45,3	25,5	30	9,0	28	120	80	138
P-BFL-101-L	45,3	25,5	30	8,5	28	120	80	138
P-BFL-151	45,3	25,5	30	10,8	28	120	80	138

Model	A	B	C	D	E	F	G	DNM	DNM
	mm	mm	mm	mm	mm	mm	mm		
P-BFL-101	123	373	99	221	177	182	137	1"	1"
P-BFL-101-L	123	373	99	199	177	182	137	1"	1"
P-BFL-151	123	392	99	229	177	182	137	1"	1"

# BLUEFLO®

SWIMMING POOL PUMPS



# SILENTFLO®

ULTRA QUIET - HIGH EFFICIENCY PUMPS



AS/NZS 60335.2.41

## FEATURED HIGHLIGHTS

- **Quiet operation** - A specially designed sound-dampening pump casing and base make pump operation incredibly quiet, enabling you to run the pump at night without disturbing the neighbours and take advantage of the off-peak tariffs.
- **High efficiency** - Precision-fit internal components and superior hydraulic design deliver effortless performance, energy savings and extended pump life.
- **Elevated base** - Further dampens sound and vibration for even quieter operation and keeps the pump above sitting water which minimises corrosion.
- **Large volume Strainer basket** Minimises the maintenance requirement by extending the time between strainer basket clean outs.
- **Dual connections** - 50mm thread or 50mm quick-disconnect barrel unions (included).
- **Cam & Ramp™ lid** - Easy to remove, locks in place with a quarter turn, making inspection and cleaning a breeze.
- 3 years limited warranty.\*

The Sta-Rite SilentFlo is an ultra-quiet, high-efficiency, self-priming, medium head pump in 3/4 through 2hp with an extra large, integral hair and lint strainer. SilentFlo is precision moulded with Pentair's innovative thermoplastic composite resin that is not only tough and highly corrosion resistant but is design to dampen

the noise created by the pump giving ultra-quiet operation. Silentflo features a high quality mechanical seal, stainless steel shaft and fasteners which will ensure that this pump will give top performance and reliability for years to come.

## ORDERING INFORMATION

Part	Model	Voltage (VAC)	Full Load (A)	Power Input (P1,W)	Power Output (P2,W)	Nominal Power (hp)	Locked Rotor Current (A)	Capacitor (uF)	Carton Dim(mm).	Carton Weight (Kg.)	Pallet Qty.
------	-------	---------------	---------------	--------------------	---------------------	--------------------	--------------------------	----------------	-----------------	---------------------	-------------

### Ultra Quiet High Efficiency Single Phase

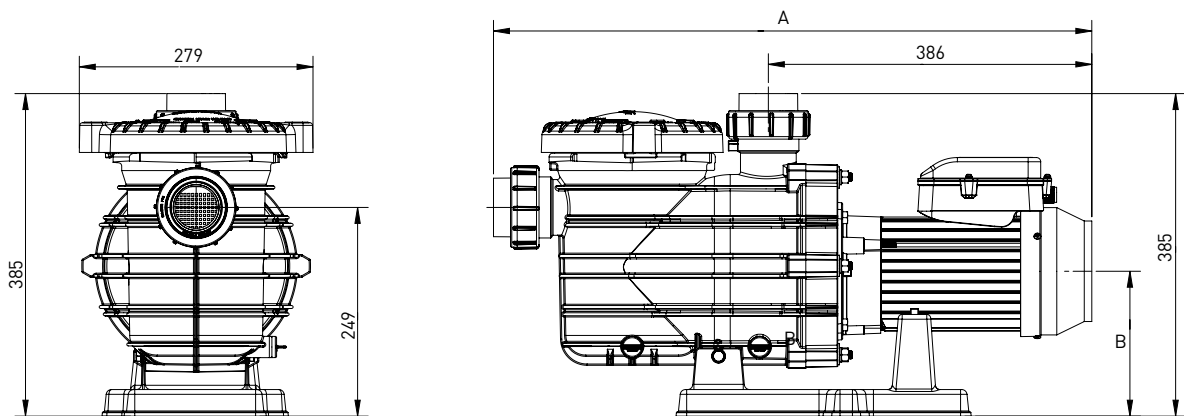
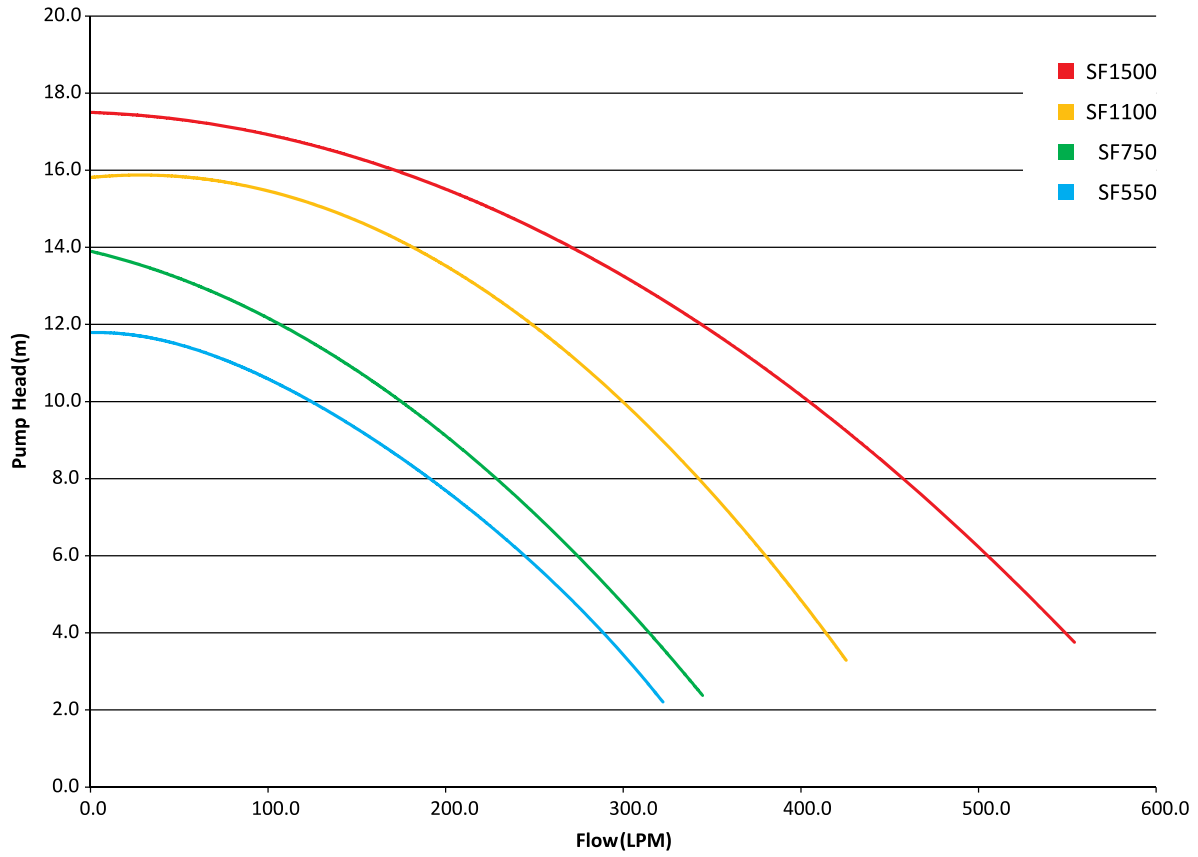
SF550100	<b>SilentFlo 550</b>	230-240	2.6	600	450	0.75	14	25	725x325x390	16.5	12
SF750103	<b>SilentFlo 750</b>	230-240	3.3	740	550	1.0	14	25	725x325x390	16.5	12
SF1100100	<b>SilentFlo 1100</b>	230-240	5.0	1050	790	1.5	22	25	725x325x390	19.5	12
SF1500100	<b>SilentFlo 1500</b>	230-240	6.7	1590	1190	2.0	28	35	725x325x390	22	12

\*Terms and conditions apply

# SILENTFLO®

ULTRA QUIET - HIGH EFFICIENCY PUMPS

## DIMENSIONS AND PERFORMANCE\*



Pump Model	SF550	SF750	SF1100	SF1500
A (mm)	616	616	637	677
B (mm)	173	173	179	179



# MAX-E-PRO™ XF

## HI PERFORMANCE SWIMMING POOL PUMPS



### FEATURED HIGHLIGHTS

- Drop-in replacement for all Max-E-Pro models. Simple replacement for Challenger® pumps.\*
- Hydraulic isolator separates priming water from pumping water for faster priming, more turbulent-free flow and increased efficiency.
- Dual-compartment motor for simplified field wiring.
- Union connectors included for connecting directly to 2.5" or 3" plumbing.
- Diamond seals made of oxidation-resistant, selfretaining EPDM rubber for increased durability and tighter seal.
- Extra large, robust basket with smooth surface for easy debris removal.
- Easy-carry handle; easily removable ergonomic lock ring; and see-through lid for easy basket inspection.

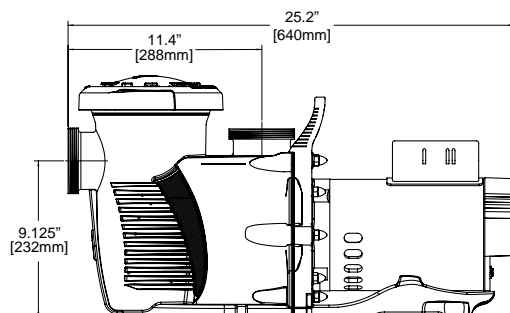
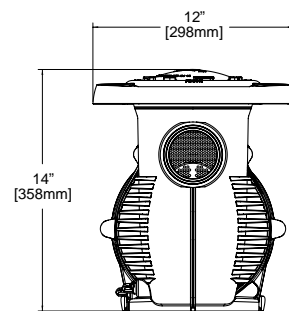
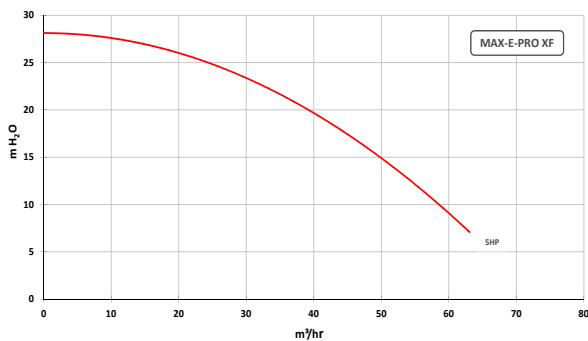
### THE MOST POWERFUL, EFFICIENT MAX-E-PRO® EVER

The new Max-E-ProXF™ was developed using the most advanced computer-aided design and manufacturing (CAD/CAM) plus Computational Fluid Dynamics (CFD) and Finite Element Analysis (FEA). The proprietary impeller design delivers a higher level of precision concentricity for increased efficiency. The proprietary hydraulic isolator smooths the priming water at start-up and also smooths the flow inside the volute, raising the efficiency even higher. With outstanding performance from both a maximum-flow and mean-flow perspective, the Max-E-ProXF is an ideal choice for residential pools with water features such as slides and waterfalls, as well as commercial pools.

### PRODUCT SPECIFICATIONS

Part Number	Description	Voltage	Amps	kW	HP
023019	Max-E-ProXF (XPK-20)	208-230-460V	13.5-12.8/6.4	3.73	5

### PACKAGING



# MAX-E-PRO® 60 HZ

## HIGH-EFFICIENCY POOL/SPA SWIMMING POOL PUMPS



**P6 & 5P6R Series** - High efficiency, low maintenance and maximum performance—all the features demanded by today's pool professionals. The Max-E-Pro has our new Quick-Lock™ trap cover ring and the 2 in. ports incorporate internal and external threads. Available in single- and two-speed models, with ratings from 1/2 to 3 HP. **Built with quality construction** using a durable one-piece pump housing constructed of Dura-Glas™-Sta-Rite's industry leading glass-reinforced composite resin. **Fast cleaning** with a new Quick-Lock trap cover ring permits fast access to strainer basket. Large "see-thru" lid makes it simple to check for debris. **A strong, sturdy**, specially-designed base dampens sound and vibration, making the Max-E-Pro one of the quietest pumps in its class.

### FEATURED HIGHLIGHTS

- Typical Installation - Inground pools, pool/spa combinations, inground spas, fountains and water features.
- Self-priming - Suction lift up to 15 ft. above water level.
- Easy-to-Install - 2 in. ports include external and internal threads for more plumbing options.
- Superior Hydraulic Design - Moves larger volumes of water, resulting in lower operating costs.
- Impeller Manufactured with Noryl® - Withstands the toughest water environments.
- Viton Shaft Seal - Longer-lasting seal stands up to the harshest environments.
- Self-lubricating Lid O-ring - Does not require lubricant.

### ORDERING INFORMATION

Product	Voltage	Full Load Amps	HP	SF	SFHP	Primary Listings and Certifications <sup>3</sup>	Port Size (NPT)	Carton Wt. (Lbs.)	Curve Key
---------	---------	----------------	----	----	------	--	-----------------	-------------------	-----------

#### Energy Efficient Single Speed Full Rated 3-Phase

P6R6H3-209	208-230/460	11.0-10.4/5.2	3	1.15	3.45	NSF <sup>2</sup>	2 in. x 2 in.	59	H
------------	-------------	---------------	---	------	------	------------------	---------------	----	---

#### Standard Efficiency Single Speed Up Rated

P6RA6E-205L	115/230	15.3/7.6	1	1.25	1.25	UL <sup>1</sup> , NSF <sup>2</sup>	2 in. x 2 in.	40	D
P6RA6F-206L	115/230	19.2/9.6	1-1/2	1.10	1.65	UL <sup>1</sup> , NSF <sup>2</sup>	2 in. x 2 in.	45	E
P6RA6G-207L	230	12.0	2	1.10	2.20	UL <sup>1</sup> , NSF <sup>2</sup>	2 in. x 2 in.	51	F

<sup>1</sup>'UL' indicates that pump bears a UL mark signifying evaluation to U.S. Standards UL1081 for Permanently Connected Swimming Pool and Spa Pumps and to Canadian Standards CAN/CSA C22.2 No. 108-01 Liquid Pumps For Swimming Pools Only (Enclosure 3).

<sup>2</sup>'NSF' indicates that pump bears a NSF mark signifying evaluation to NSF Standard 50 For Self-Priming Centrifugal Pumps For Swimming Pools, Spas and Hot Tubs.

<sup>3</sup>Product may have been evaluated to other state and local regulatory standards. Listing status may change. Always confirm status with appropriate agency if in doubt.



# MAX-E-PRO XF<sup>®</sup> 60 HZ

ENERGY-EFFICIENT SWIMMING POOL PUMPS



Developed using advanced engineering tools available - CFD (Computational Fluid Dynamics) and FEA (Finite Element Analysis). The impeller design delivers high level of precision concentricity for increased efficiency.

## FEATURED HIGHLIGHTS

- Drop-in replacement for all Max-E-Pro models. Simple replacement for Challenger<sup>®</sup> pumps\*.
- Hydraulic isolator separates priming water from pumping water for faster priming, more turbulent-free flow and increased efficiency.
- Dual-compartment motor for simplified field wiring.
- Union connectors included for connecting directly to 2 in. or 3 in.
- Diamond seals made of oxidation-resistant, self-retaining EPDM rubber for increased durability and tighter seal.
- Extra large, robust basket with smooth surface for easy debris removal.
- Easy-carry handle; easily removable ergonomic lock ring; and see-through lid for easy basket inspection.

\*Optional riser base for Challenger replacements. Part # 400012 available separately.

## ORDERING INFORMATION

Product	Model	Voltage	Full Load Amps	HP	SF	SFHP	Primary Listings and Certifications <sup>3</sup>	Port Size (NPT)	Carton Wt. (Lbs.)	Curve Key
---------	-------	---------	----------------	----	----	------	--	-----------------	-------------------	-----------

### Standard Efficient Single Speed Up Rated

023013	XP-12	230V	14.15	3	1.15	3.45	UL 1, NSF <sup>2</sup>	2.5 in. x 2.5 in. OR 3 in. x 3 in.	60	B
--------	-------	------	-------	---	------	------	------------------------	---------------------------------------	----	---

### Energy Efficient Single Speed Full Rated

023011	XPE-20	208V-230V	22.0	5	1	5	UL 1, NSF <sup>2</sup>	2.5 in. x 2.5 in. OR 3 in. x 3 in.	60	B
--------	--------	-----------	------	---	---	---	------------------------	---------------------------------------	----	---

### Standard Efficiency Single Speed Three Phase

023030	XPJ-12	208-230V/ 460V	9.8-9.6/4.8	3	1.15	3.45	NSF <sup>2</sup>	2.5 in. x 2.5 in. OR 3 in. x 3 in.	60	B
023031	XPJ-20	208-230V/ 460V	13.4-12.1/6.7	5	1.0	5.0	NSF <sup>2</sup>	2.5 in. x 2.5 in. OR 3 in. x 3 in.	60	A

<sup>1</sup> 'UL' indicates that pump bears a UL mark signifying evaluation to U.S. Standards UL1081 for Permanently Connected Swimming Pool and Spa Pumps and to Canadian Standards CAN/CSA C22.2 No. 108-01 Liquid Pumps For Swimming Pools Only (Enclosure 3).

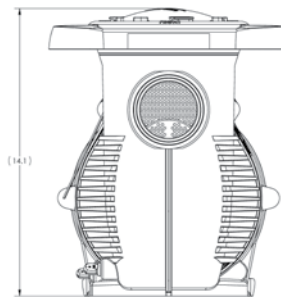
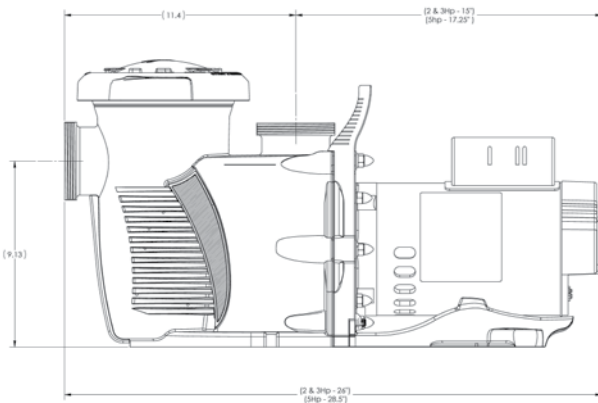
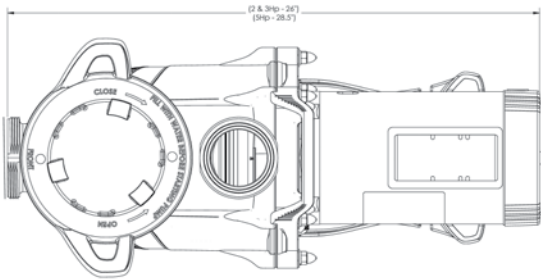
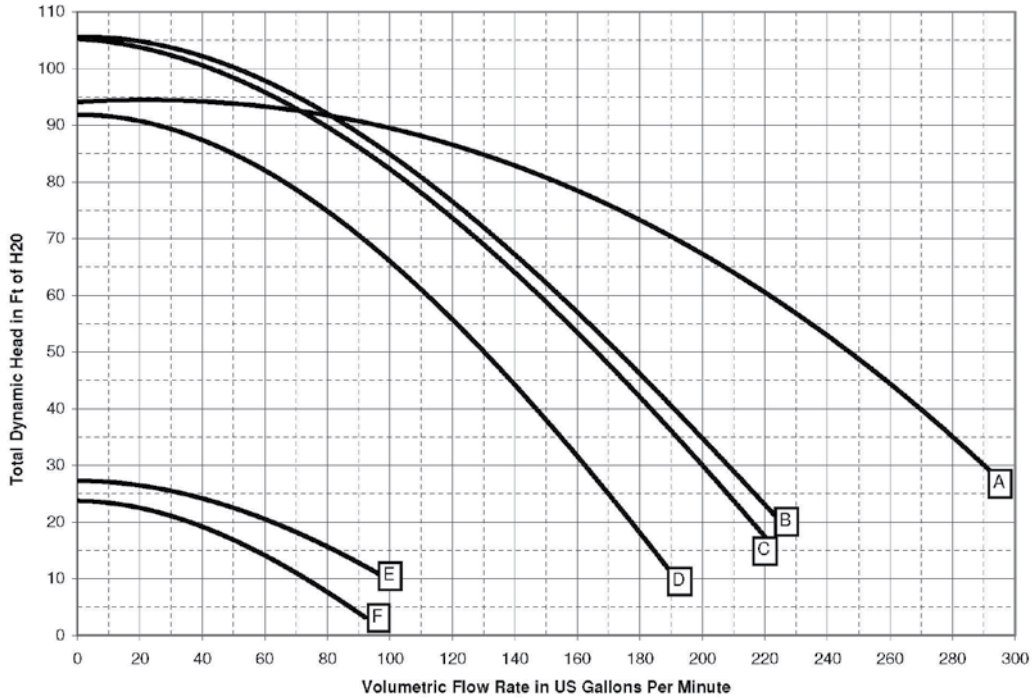
<sup>2</sup> 'NSF' indicates that pump bears a NSF mark signifying evaluation to NSF Standard 50 For Self-Priming Centrifugal Pumps For Swimming Pools, Spas and Hot Tubs.

<sup>3</sup> Product may have been evaluated to other state and local regulatory standards. Listing status may change. Always confirm status with appropriate agency if in doubt.

# MAX-E-PRO XF<sup>®</sup> 60 HZ (CONT'D)

ENERGY-EFFICIENT SWIMMING POOL PUMPS

## DIMENSIONS AND PERFORMANCE



Pump Model	Performance Curve
XPE-20, XPJ-20, XPK-20, XPET-20	A
XPE-12, XPJ-12, XPK-12, XPET-12	B
XPDS-12	B, E
XP-12	C
XPE-8, XP-8, XPE-30, XPET-8, XP-30, XPJ-8, XPK-8	D
XPDS-8, XPDS-30	D, F

### A- VARYING LENGTH

HP	STD EFF
0.5	23.89
0.75	23.89
1	23.89
1.5	24.27
2	25.89
2.5	25.89

# CHALLENGER® 60 HZ HIGH FLOW

FIBERGLASS REINFORCED SWIMMING POOL PUMPS



## FEATURED HIGHLIGHTS

- See-thru Lid
- Large Strainer Basket
- User-friendly removable drain plugs
- Most diverse offering in voltage and horsepower

**Fiberglass Reinforced Pump with Closed Impeller, Single Speed Pump** components are custom molded thermoplastic for superior strength and durability. All components developed and perfected through Computer Assisted Design for maximum flow performance at minimum operating expense.

## ORDERING INFORMATION

Product	Model	Voltage	Full Load Amps	HP	SF	SFHP	Primary Listings and Certifications <sup>4</sup>	Port Size (NPT)	Carton Wt. (Lbs.)	Curve Key
---------	-------	---------	----------------	----	----	------	--	-----------------	-------------------	-----------

### Standard Efficient Single Speed Up Rated

345300	CFII-NI-5FE 3PH	208-230/460	13.4-13.4/6.7	5	1.00	5.00	NSF <sup>2</sup>	3 in. x 2 in.	70	F
343240	CFII-NI-2A	115/230	22.4/11.2	2	1.10	2.20	UL <sup>1</sup> , CSA <sup>3</sup>	2 in. x 2 in.	49	D
343229	CFII-NI-2-1/2A	230	11.5	2-1/2	1.04	2.60	UL <sup>1</sup>	2 in. x 2 in.	55	E

### Standard Efficient Single Speed Full Rated

342232	CFII-NI-1/2F	115/230	10.8/5.4	1/2	1.90	0.95	UL <sup>1</sup> , NSF <sup>2</sup> , CSA <sup>3</sup>	2 in. x 2 in.	37	A
342233	CFII-NI-3/4F	115/230	14.2/7.1	3/4	1.67	1.25	UL <sup>1</sup> , NSF <sup>2</sup> , CSA <sup>3</sup>	2 in. x 2 in.	39	B
342234	CFII-NI-1F	115/230	16.0/8.0	1	1.65	1.65	UL <sup>1</sup> , NSF <sup>2</sup> , CSA <sup>3</sup>	2 in. x 2 in.	41	C

<sup>1</sup>'UL' indicates that pump bears a specific UL mark signifying evaluation to U.S. Standards UL1081 for Permanently Connected Swimming Pool and Spa Pumps and to Canadian Standards CAN/CSA C22.2 No. 108-01 Liquid Pumps For Swimming Pools And Spas. (Enclosure 3).

<sup>2</sup>'NSF' indicates that pump bears a NSF mark signifying evaluation to NSF Standard 50 For Self-Priming Centrifugal Pumps For Swimming Pools, Spas and Hot Tubs.

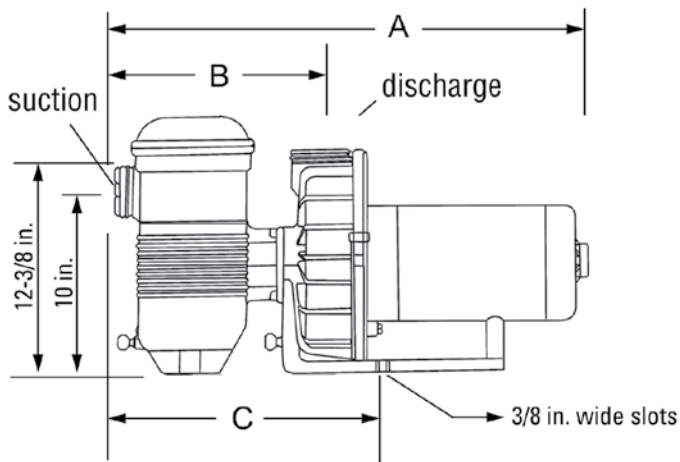
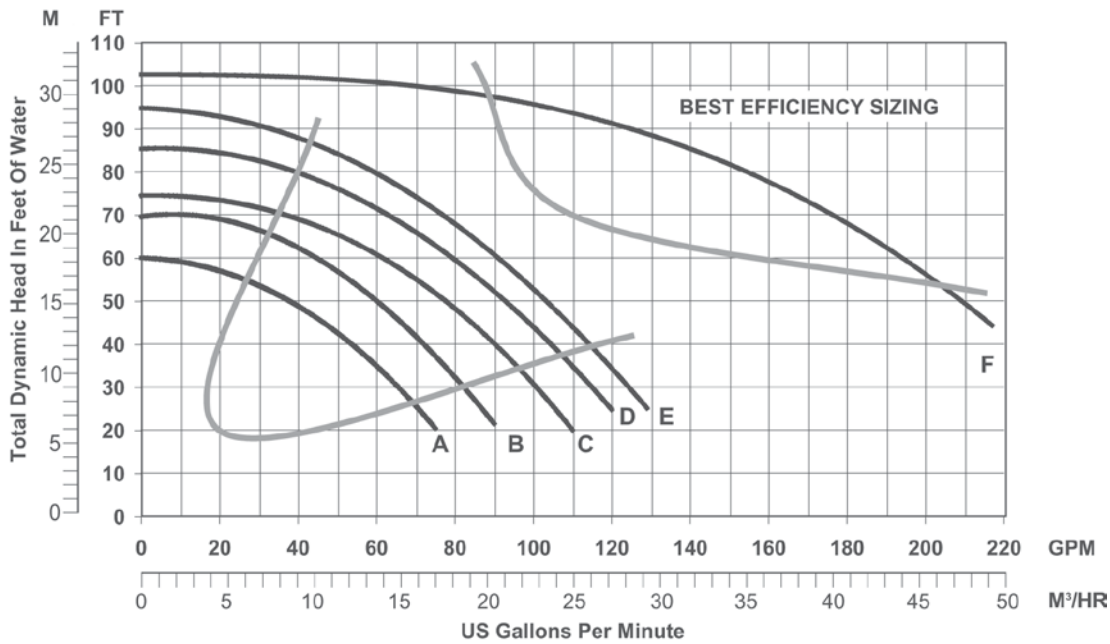
<sup>3</sup>'CSA' indicates that pump bears a CSA mark signifying evaluation to Canadian Standards CAN/CSA C22.2 No. 108-01 Liquid Pumps For Swimming Pools And Spas. (Enclosure 3).

<sup>4</sup>Product may have been evaluated to other state and local regulatory standards. Listing status may change. Always confirm status with appropriate agency if in doubt.

# CHALLENGER® 60 HZ HIGH FLOW (CONT'D)

FIBERGLASS REINFORCED SWIMMING POOL PUMPS

## DIMENSIONS AND PERFORMANCE



Dimension A varies from 23 in. for 1/2 hp models to 30-7/8 in. for 5 hp models.

Dimension B = 9-5/8 in. for all models, except 5 hp = 13 in.

Dimension C = 14-1/4 in. for all models, except 5 hp = 17-3/16 in.

# CHALLENGER® 60 HZ HIGH PRESSURE

## THERMOPLASTIC SWIMMING POOL PUMPS



**Thermoplastic Pump with Closed Impeller, Single Speed Pump** components are custom molded thermoplastic for superior strength and durability.

### FEATURED HIGHLIGHTS

- Standard 2 in. suction and discharge ports permit maximum operating efficiency.
- Extra-large strainer basket extends time between cleanings.
- Transparent strainer pot lid with comfortable handle provides easy access to strainer basket.
- Diffuser and impeller provide excellent high pressure performance for all types of demanding installations.
- One-bolt stainless steel clamp removes easily to provide quick access for any required service.
- Anti-spin-off impeller.
- Power end can easily be removed for service or winterizing without disturbing piping or pump support base.
- No tool required for removing thumbscrew drain plugs for draining and winterizing.
- Internal components and 2 in. ports are designed to provide rapid priming and quiet operation.

### ORDERING INFORMATION

Product	Model	Voltage	Full Load Amps	HP	SF	SFHP	Primary Listings and Certifications <sup>4</sup>	Port Size (NPT)	Carton Wt. (Lbs.)	Curve Key
---------	-------	---------	----------------	----	----	------	--	-----------------	-------------------	-----------

#### 5 HP High Flow Pumps with Large Strainer Pot with 1 in. Suction

345209	CHII-N1-3FE	208-230	15.0-13.6	3	1.15	3.45	UL 1, NSF <sup>2</sup>	2 in. x 2 in.	56	L
--------	-------------	---------	-----------	---	------	------	------------------------	---------------	----	---

#### Standard Efficiency Single Speed Full Rated

345219	CHII-N1-3F	230	14.1	3	1.15	3.45	UL 1, NSF <sup>2</sup>	2 in. x 2 in.	56	L
--------	------------	-----	------	---	------	------	------------------------	---------------	----	---

<sup>1</sup>'UL' indicates that pump bears a specific UL mark signifying evaluation to U.S. Standards UL1081 for Permanently Connected Swimming Pool and Spa Pumps and to Canadian Standards CAN/CSA C22.2 No. 108-01 Liquid Pumps For Swimming Pools And Spas. (Enclosure 3).

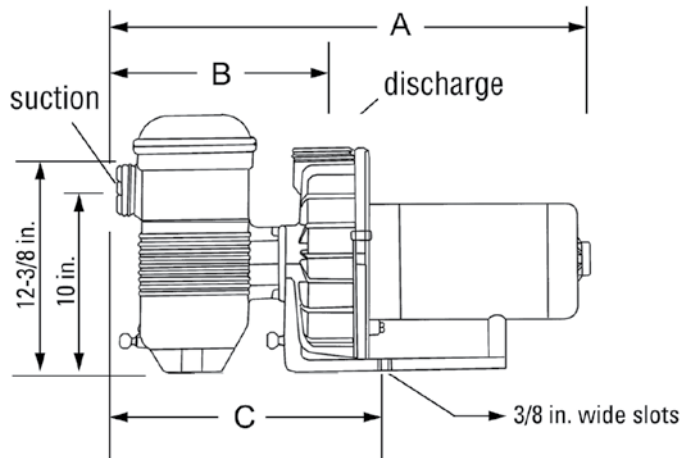
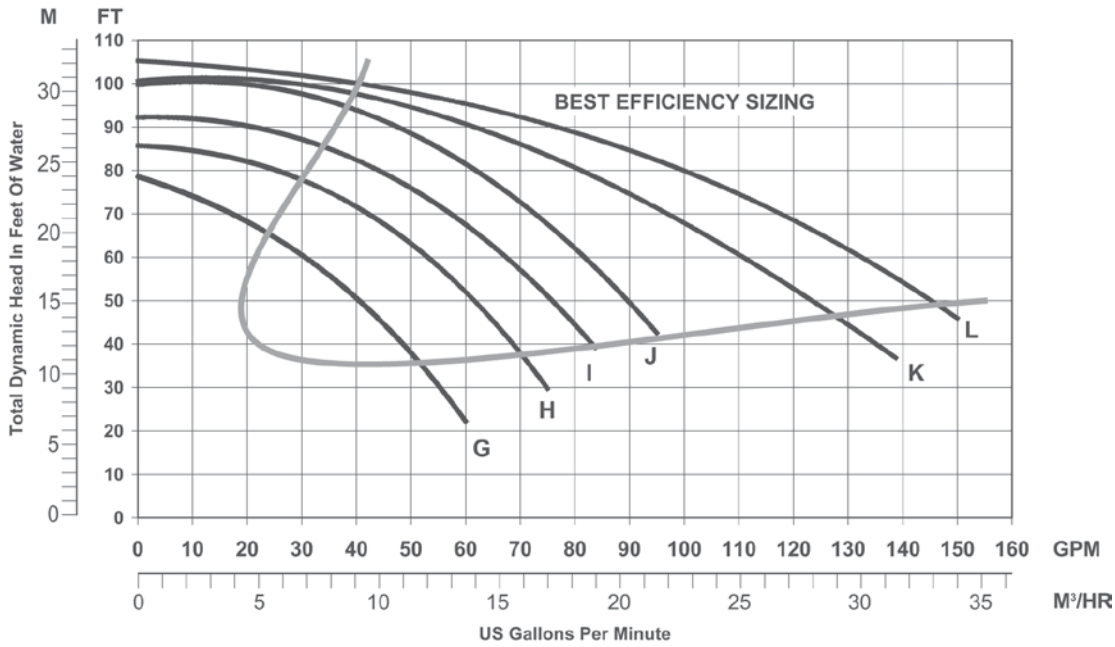
<sup>2</sup>'NSF' indicates that pump bears a NSF mark signifying evaluation to NSF Standard 50 For Self-Priming Centrifugal Pumps For Swimming Pools, Spas and Hot Tubs.



# CHALLENGER® 60 HZ HIGH PRESSURE (CONT'D)

THERMOPLASTIC SWIMMING POOL PUMPS

## DIMENSIONS AND PERFORMANCE



Dimension A varies from 23 in. for ½ hp models to 30-7/8 in. for 5 hp models.

Dimension B = 9-5/8 in. for all models, except 5 hp = 13 in.

Dimension C = 14-¼ in. for all models, except 5 hp = 17-3/16 in.

# SUPERMAX® VS 50HZ

VARIABLE SPEED SWIMMING POOL PUMPS



## FEATURED HIGHLIGHTS

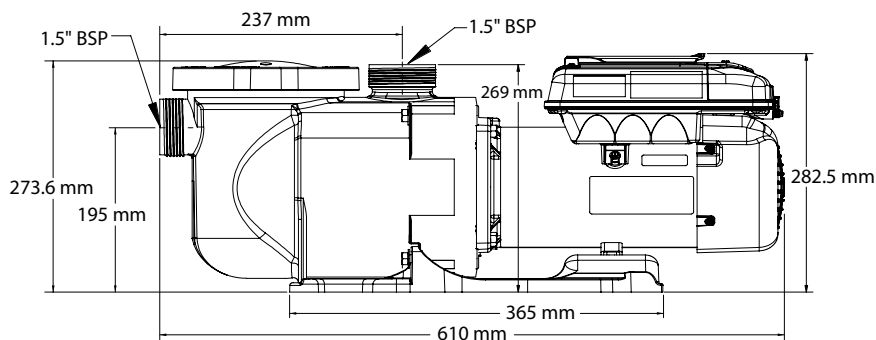
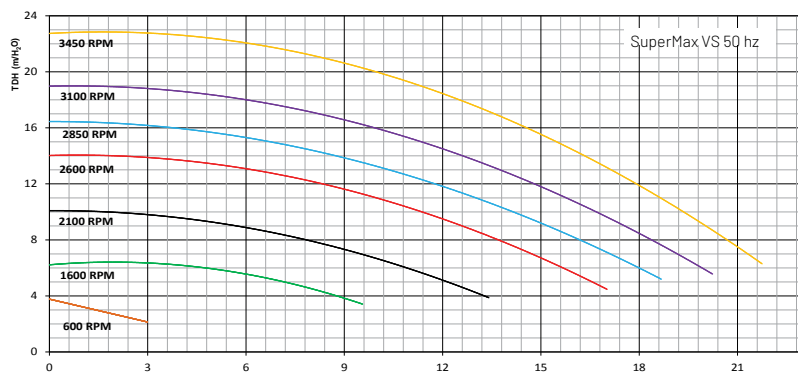
- Variable speed pump.
- Up to 80% energy saving.
- Super silent at low speeds.
- Easy to use control unit.
- 4 pre-set SuperFlo VS speed modes: "Economic", "Swimming", "Heating" and "Backwash", plus manual "Boost".
- Easy installation like any other pool pump.

## ORDERING INFORMATION

Model	kW	HP	Volt
5PIR-VS	1,1	1,5	220-240V

Union kit (R170450 ) included

## DIMENSIONS AND PERFORMANCE



# SUPERMAX® 60 HZ

HIGH PERFORMANCE SWIMMING POOL PUMPS



## FEATURED HIGHLIGHTS

- SuperMax by Sta-Rite® is a direct replacement for the Hayward®\*\* Super Pump®\*.
- Single and two-speed models ranging from 1/2 to 2-1/2 HP.
- Cam and Ramp lid locks and unlocks with a simple quarter turn.
- Exterior thermoplastic resin withstands temperature extremes and delivers long life.
- Unionized fittings included (1-1/2 in. internal slip and 2 in. external slip)

The new **SuperMax**® pump from Sta-Rite features a commercial grade, 56 square flange motor for top performance in residential swimming pools. SuperMax is a superior drop-in replacement for Super Pump. The advantage for consumers is its quiet operation and economical performance. The benefit to pool professionals is its ease of installation and reliability. Union fittings are included and the pump easily drops in place.

## ORDERING INFORMATION

Product	Model	Voltage	Full Load Amps	HP	SF	SFHP	Primary Listings and Certifications <sup>3</sup>	Port Size (NPT)	Carton Wt. (Lbs.)	Curve Key
---------	-------	---------	----------------	----	----	------	--	-----------------	-------------------	-----------

### Standard Efficiency Single Speed

PHK2RA6C-100L	<b>NI-1/2F-HP</b>	115/230	10.8/5.4	1/2	1.95	0.95	UL 1, NSF2	1-1/2 in. x 1-1/2 in.	38	E
PHK2RA6D-101L	<b>NI-1/2F-HP</b>	115/230	10.8/5.4	3/4	1.25	0.93	UL 1, NSF2	1-1/2 in. x 1-1/2 in.	38	F
PHK2RA6E-102L	<b>NI-1/2F-HP</b>	115/230	14.2/7.1	1	1.25	1.25	UL 1, NSF2	1-1/2 in. x 1-1/2 in.	38	G
PHK2RA6F-103L	<b>NI-1-1/2A-HP</b>	115/230	16.0/8.0	1-1/2	1.10	1.65	UL 1, NSF2	1-1/2 in. x 1-1/2 in.	40	H
PHK2RA6G-104L	<b>NI-2A-HP</b>	115/230	22.4/11.2	2	1.10	2.20	UL 1, NSF2	1-1/2 in. x 1-1/2 in.	48	I
PHK2RAA6G-105L	<b>NI-2-1/2A-HP</b>	230	11.5	2-1/2	1.04	2.60	UL 1, NSF2	1-1/2 in. x 1-1/2 in.	54	J

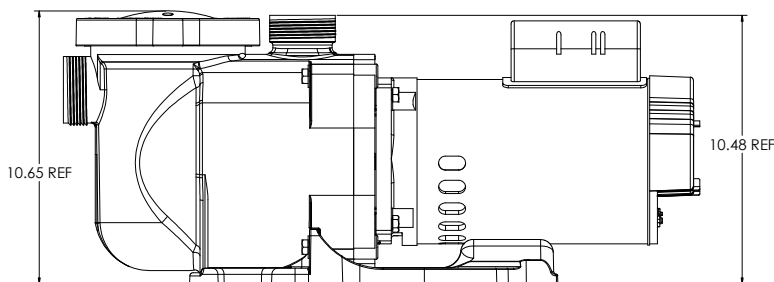
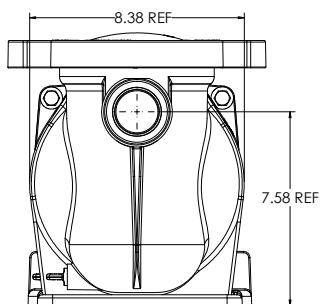
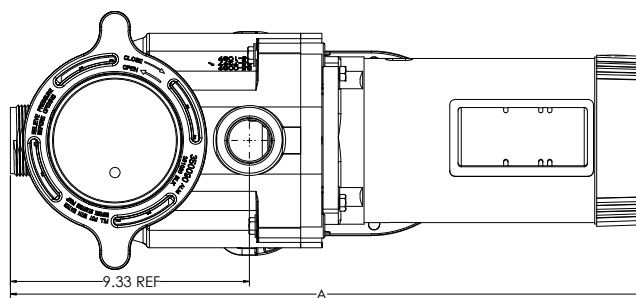
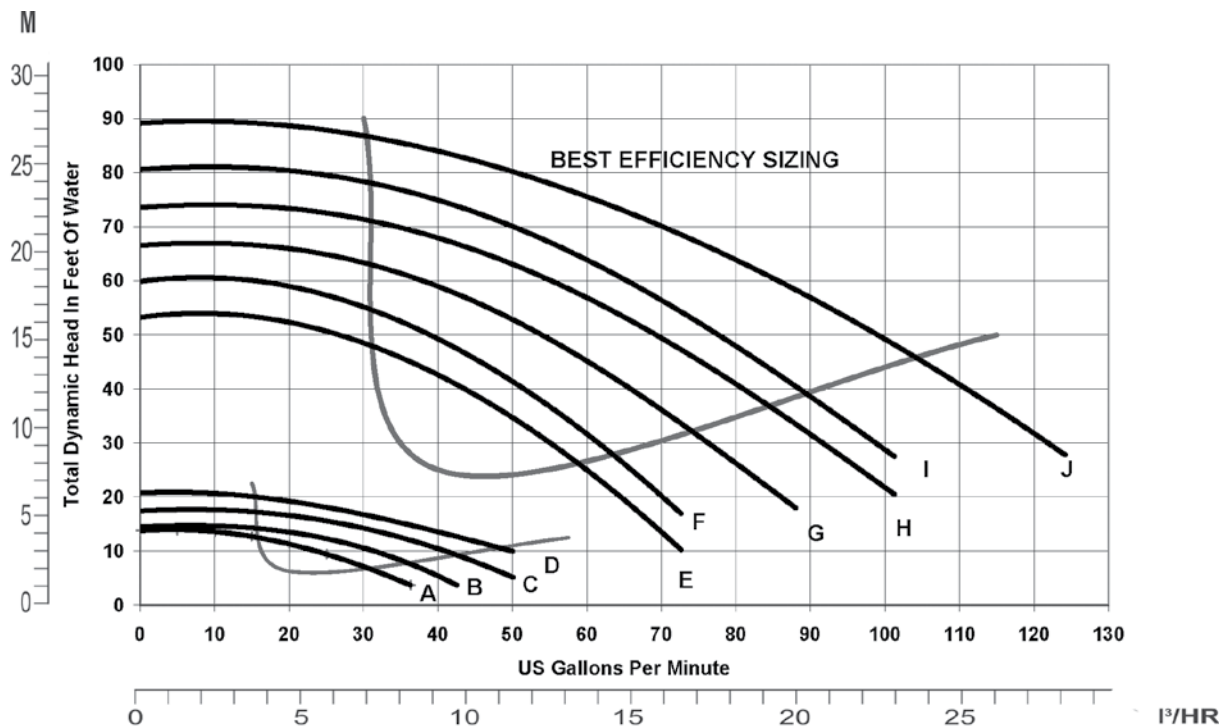
### Accessories

351157	Union Kit - 1-1/2 in. Internal Slip x 2 in. External Slip
--------	---

# SUPERMAX® 60 HZ (CONT'D)

HIGH PERFORMANCE SWIMMING POOL PUMPS

## DIMENSIONS AND PERFORMANCE



# ULTRAFLOW® PLUS 50 HZ

HIGH PERFORMANCE SWIMMING POOL PUMPS



## FEATURED HIGHLIGHTS

- “Cam and Ramp™” locking lid.
- Very large strainer basket for ease of maintenance.
- Guarantees optimum efficiency and keeps servicing to an absolute minimum.
- Thick walled body for quiet operation.
- Corrosion resistant, high-grade stainless steel motor shaft.
- Thermal protection included in single phase motors.
- Self-priming for quick, easy start-up
- TEFC motor for long life, IP55 rated motor Thermally protected.

## ORDERING INFORMATION

Model	kW	HP	Volt	Phase
-------	----	----	------	-------

### UltraFlow® Plus 50Hz

P-UFL-071	0,55	3/4	220-240v	1~
P-UFL-073	0,55	3/4	380-420v	3~
P-UFL-101	0,75	1	220-240v	1~
P-UFL-103E3*	0,75	1	380-420v	3~
P-UFL-151	1,10	1,5	220-240v	1~
P-UFL-153E3*	1,10	1,5	380-420v	3~
P-UFL-201	1,50	2	220-240v	1~
P-UFL-203E3*	1,50	2	380-420v	3~
P-UFL-301	2,20	3	220-240v	1~
P-UFL-303E3*	2,20	3	380-420v	3~

Union Kit not included (R170408-2pcs)

\*IE-compliant

Model	Length (cm)	Width (cm)	Height (cm)	Weight (kg)	Pcs by pallet	Length pallet (cm)	Width pallet (cm)	Height pallet (cm)
-------	-------------	------------	-------------	-------------	---------------	--------------------	-------------------	--------------------

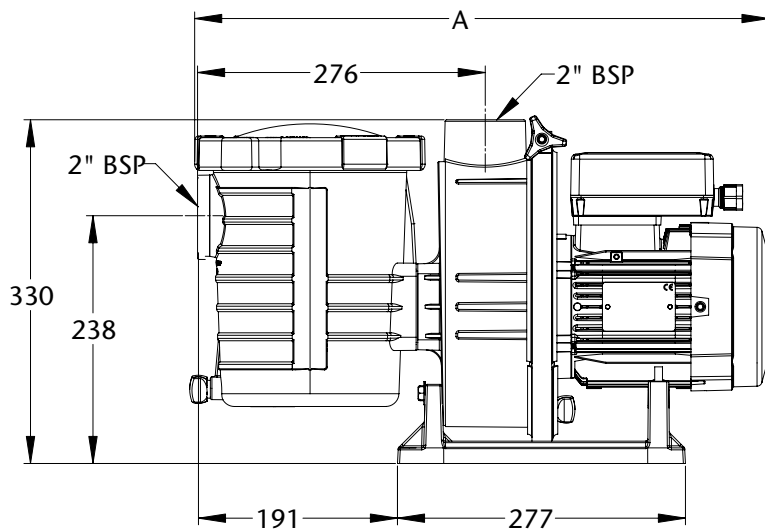
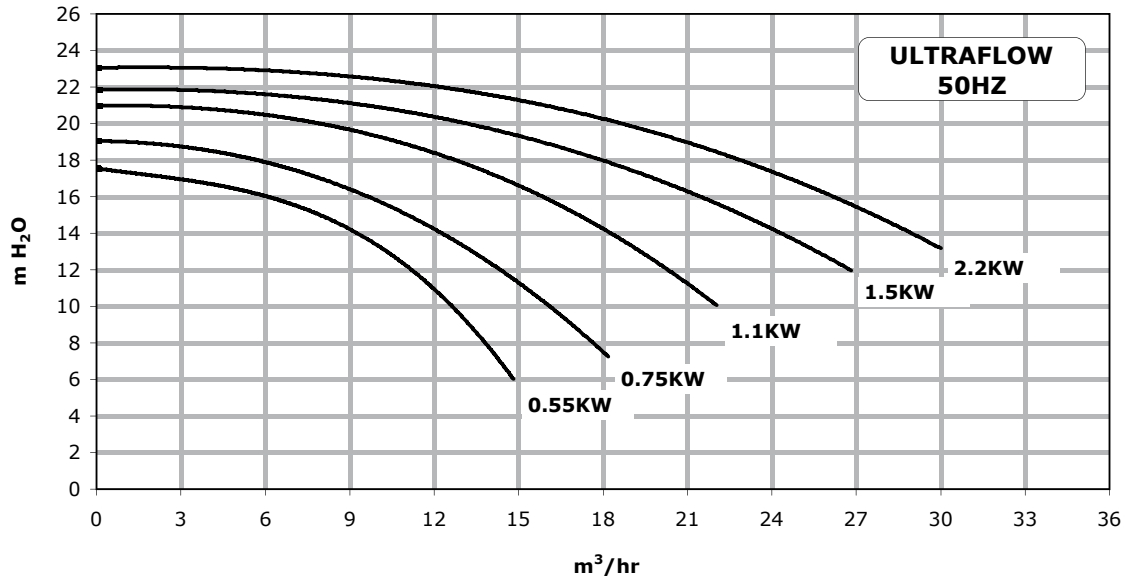
### UltraFlow® Plus 50Hz

P-UFL-071	65	33	38	14,7	24	130	100	165
P-UFL-073	65	33	38	12,0	24	130	100	165
P-UFL-101	65	33	38	14,8	24	130	100	165
P-UFL-103E3*	65	33	38	14,3	24	130	100	165
P-UFL-151	65	33	38	16,3	24	130	100	165
P-UFL-153E3*	65	33	38	15,8	24	130	100	165
P-UFL-201	65	33	38	17,9	24	130	100	165
P-UFL-203E3*	65	33	38	17,4	24	130	100	165
P-UFL-301	65	33	38	23,6	24	130	100	165
P-UFL-303E3*	65	33	38	20,6	24	130	100	165

# ULTRAFLOW® PLUS 50 HZ (CONT'D)

HIGH PERFORMANCE SWIMMING POOL PUMPS

## DIMENSIONS AND PERFORMANCE



Model	A mm
P - UFL - 071	529
P - UFL - 073	521
P - UFL - 101	529
P - UFL - 103E3*	521
P - UFL - 151	549
P - UFL - 153E3*	549
P - UFL - 201	549
P - UFL - 203E3*	549
P - UFL - 301	580
P - UFL - 303E3*	580

\* Dimensions refer to IE2-equivalent model.

# SW5P6R™ VSD

INTELLIGENT VARIABLE SPEED SWIMMING POOL PUMPS  
FOR SEAWATER APPLICATIONS



## FEATURED HIGHLIGHTS

- Same as WhisperFlo® VS.
- Extremely low noise at low RPM.
- Quick-Lock™ trap cover ring for easy cleaning and large “see-thru” lid.
- Self-priming up to 5m above water level.
- For seawater applications up to 4,5% salt concentration or 45 grams/liter.
- SW5P6R™ VS can replace all conventional SW5P6R™ and 5P6R™ pumps.

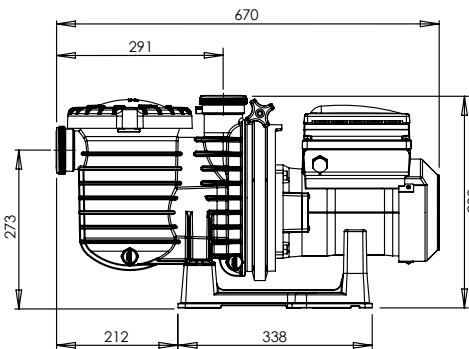
## ORDERING INFORMATION

Model	kW	HP	Volt
<b>SW5P6R™ VS</b>			
<b>SW5P6R-VSD2</b>	2,20	3	220-240v

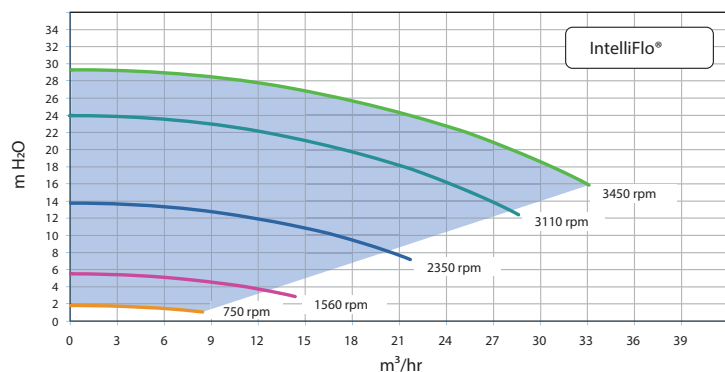
Union Kit not included (RPKG188W-2pcs)

## DIMENSIONS AND PERFORMANCE

Model	Length (cm)	Width (cm)	Height (cm)	Weight (kg)	Pcs by pallet	Length pallet (cm)	Width pallet (cm)	Height pallet (cm)
<b>SW5P6R™ VS</b>								
<b>SW5P6R-VSD 2</b>	74	37	38	25,0	9	120	80	150



SW5P6R™ VSD



# 5PXF™ VSF

INTELLIGENT VARIABLE SPEED SWIMMING POOL PUMPS



## FEATURED HIGHLIGHTS

- Variable Speed Pump.
- Up to 90% energy saving while being extremely silent (45dBA) at low speeds.
- Display showing RPM and energy consumption.
- Compatible with IntelliPool™ and IntelliComm™.
- **New hydraulic isolator.**
- New union connectors included for connecting directly to 75 or 90mm piping.
- Extra-large, robust basket.
- External port threading and tool-free union nuts.
- Easy-carry handle.

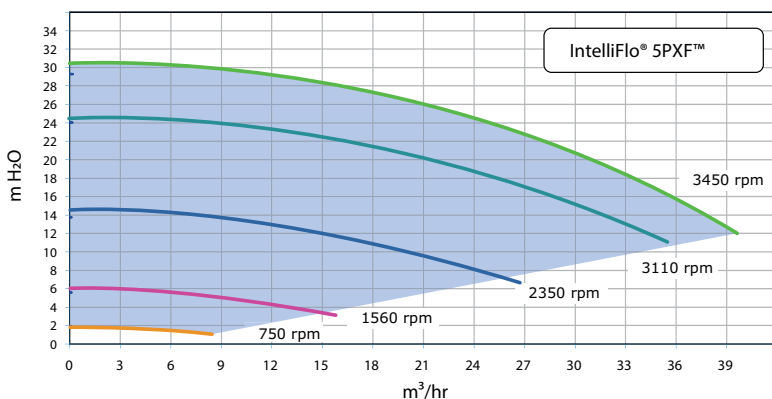
## ORDERING INFORMATION

Model	kW	HP	Volt
<b>5PXF™ VSF</b>			
5PXF-VSF	2,20	3	220-240v

Union Kit not included (R411000)

## DIMENSIONS AND PERFORMANCE

Model	Length (cm)	Width (cm)	Height (cm)	Weight (kg)	Pcs by pallet	Length pallet (cm)	Width pallet (cm)	Height pallet (cm)
<b>5PXF™ VSF</b>								
5PXF-VSF	74	37	38	28,0	9	120	80	150



5PXF VSD



# 5PXF™ 50 HZ

HIGH PERFORMANCE SWIMMING POOL PUMPS



## FEATURED HIGHLIGHTS

- New hydraulic isolator separates priming water from pumping water for faster priming, less turbulence and increased efficiency.
- **New union connectors included for connecting directly to 75 or 90mm piping.**
- Diamond seals made of oxidation-resistant, self-retaining EPDM rubber for increased durability and tighter seal.
- Extra-large, robust basket with smooth surface for easy debris removal.
- Heavy duty totally enclosed fan cooled motor (TEFC).
- External port threading and tool-free union nuts need only hand-tightening.
- Easy-carry handle ; easily removable, ergonomic lock ring ; and see-through lid for easy basket inspection.

## ORDERING INFORMATION

Model	kW	HP	Volt	Phase
-------	----	----	------	-------

### 5PXF™ 50Hz

5PXFH-1	2,20	3	220-240v	1~
5PXFH-3E3*	2,20	3	380-420v	3~
5PXFJ-1	3,00	4	220-240v	1~
5PXFJ-3E3*	3,00	4	380-420v	3~

Union Kit included (R411000)

\*IE3-compliant

Model	Length (cm)	Width (cm)	Height (cm)	Weight (kg)	Pcs by pallet	Length pallet (cm)	Width pallet (cm)
-------	-------------	------------	-------------	-------------	---------------	--------------------	-------------------

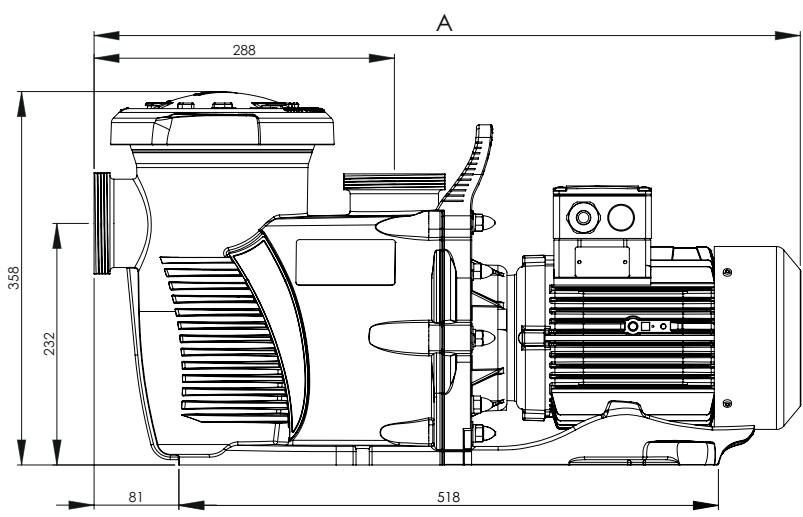
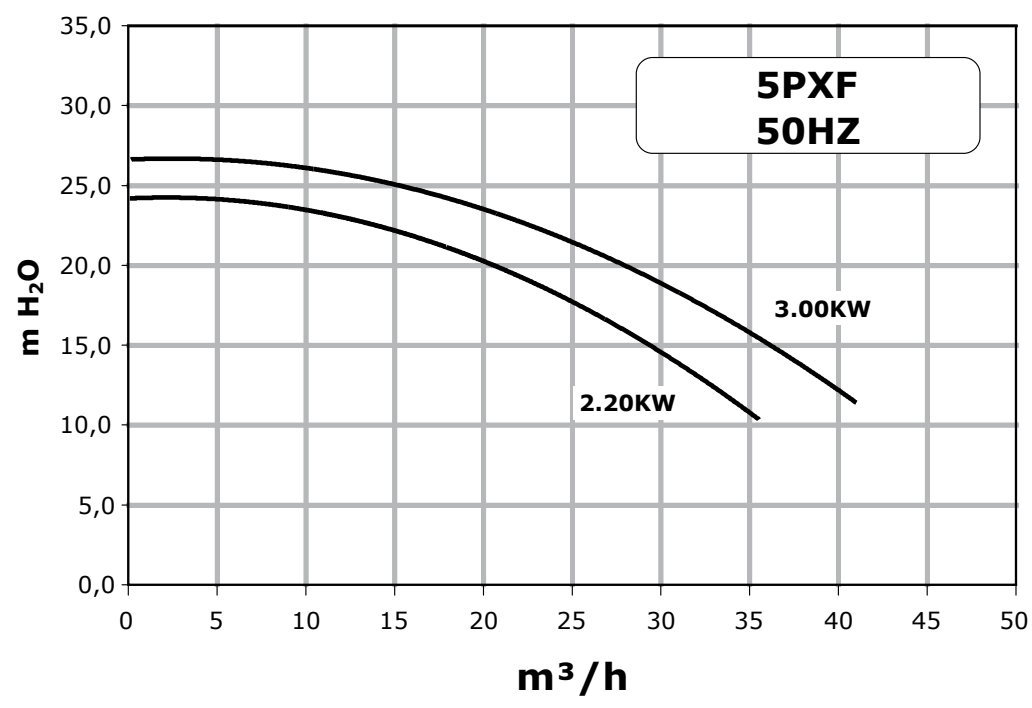
### 5PXF™ 50Hz

5PXFH-1	74	37	37	23,0	9	120	80
5PXFH-3E3*	74	37	37	26,0	9	120	80
5PXFJ-1	74	37	37	34,0	9	120	80
5PXFJ-3E3*	74	37	37	33,0	9	120	80

# 5PXF™ 50 HZ (CONT'D)

HIGH PERFORMANCE SWIMMING POOL PUMPS

## DIMENSIONS AND PERFORMANCE



Model	A mm
5PXFH-1	652
5PXFH-3E3*	678
5PXFJ-1	715
5PXFJ-3E3*	715

\* Dimensions refer to IE2-equivalent model.

# 5P6R™ / SW5P6R™ 50 HZ

HIGH-EFFICIENCY POOL PUMPS  
FOR SEAWATER APPLICATIONS (SW VERSION)



## FEATURED HIGHLIGHTS

- Quick-Lock™ trap cover ring for easy cleaning and large “see-thru” lid.
- **Self-priming up to 5m above water level.**
- Moves larger volumes of water, resulting in lower operating costs.
- For seawater applications up to 4,5% salt concentration or 45 grams/liter (SW5P6R™).
- Heavy duty TEFC motor.
- Thermally protected, all single phase motors.

## ORDERING INFORMATION

Model		kW	HP	Volt	Phase
<b>5P6R™ 50Hz</b>	<b>SW5P6R™ 50Hz</b>				
5P6RD-1	SW5P6RD-1	0,55	3/4	220-240v	1~
5P6RD-3	SW5P6RD-3	0,55	3/4	380-420v	3~
5P6RE-1	SW5P6RE-1	0,75	1	220-240v	1~
5P6RE-3E3*	SW5P6RE-3E3*	0,75	1	380-420v	3~
5P6RF-1	SW5P6RF-1	1,10	1,5	220-240v	1~
5P6RF-3E3*	SW5P6RF-3E3*	1,10	1,5	380-420v	3~
5P6RG-1	SW5P6RG-1	1,50	2	220-240v	1~
5P6RG-3E3*	SW5P6RG-3E3*	1,50	2	380-420v	3~
5P6RH-1	SW5P6RH-1	2,20	3	220-240v	1~
5P6RH-3E3*	SW5P6RH-3E3*	2,20	3	380-420v	3~

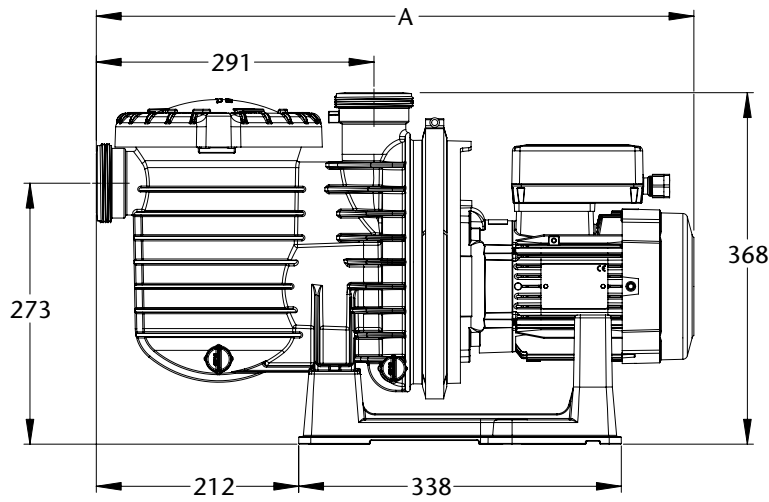
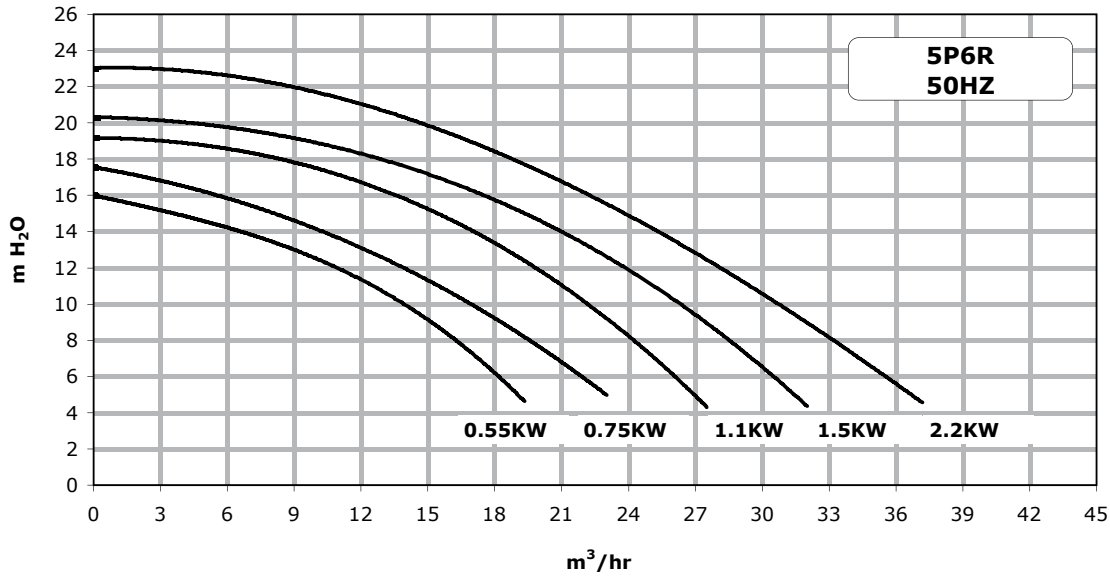
Union Kit included (PK6188 or PKG188w-2pcs)  
\*IE3-compliant

Model		Length (cm)	Width (cm)	Height (cm)	Weight (kg)	Pcs by pallet	Length pallet (cm)	Width pallet (cm)	Height pallet (cm)
<b>5P6R™ 50Hz</b>	<b>SW5P6R™ 50Hz</b>								
5P6RD-1	SW5P6RD-1	74	37	37	17,0	9	120	80	150
5P6RD-3	SW5P6RD-3	74	37	37	18,0	9	120	80	150
5P6RE-1	SW5P6RE-1	74	37	37	18,0	9	120	80	150
5P6RE-3E3*	SW5P6RE-3E3*	74	37	37	18,0	9	120	80	150
5P6RF-1	SW5P6RF-1	74	37	37	18,7	9	120	80	150
5P6RF-3E3*	SW5P6RF-3E3*	74	37	37	20,0	9	120	80	150
5P6RG-1	SW5P6RG-1	74	37	37	25,0	9	120	80	150
5P6RG-3E3*	SW5P6RG-3E3*	74	37	37	22,0	9	120	80	150
5P6RH-1	SW5P6RH-1	74	37	37	26,0	9	120	80	150
5P6RH-3E3*	SW5P6RH-3E3*	74	37	37	24,5	9	120	80	150

# 5P6R™ / SW5P6R™ 50 HZ (CONT'D)

HIGH-EFFICIENCY POOL PUMPS  
FOR SEAWATER APPLICATIONS (SW VERSION)

## DIMENSIONS AND PERFORMANCE



\* Dimensions refer to IE2-equivalent model.

Model	A mm
(SW)5P6RD - 1	623
(SW)5P6RD - 3	623
(SW)5P6RE - 1	623
(SW)5P6RE - 3	623
(SW)5P6RE - 3E3*	623
(SW)5P6RF - 1	623
(SW)5P6RF - 3	623
(SW)5P6RF - 3E3*	623
(SW)5P6RG - 1	667
(SW)5P6RG - 3	667
(SW)5P6RG - 3E3*	667
(SW)5P6RH - 1	667
(SW)5P6RH - 3	667
(SW)5P6RH - 3E3*	667

# 5P2R™/S5P2R™ 50 HZ

HIGH PERFORMANCE POOL PUMPS  
FOR SALT WATER APPLICATIONS (S VERSION)



## FEATURED HIGHLIGHTS

- Self-priming diffuser design makes this our fastest priming pool pump.
- High head impeller for maximum performance output.
- Stainless steel locking clamp for quick and easy servicing.
- "See Thru" trap lid.
- Heavy duty totally enclosed fan cooled motor (TEFC).
- Thermally protected, all single phase motors.
- Multiple drain locations for quick winterizing.
- For salt water applications up to 0,4% salt concentration or 4 grams/liter (S5P2RTM versions).

## ORDERING INFORMATION

Model		kW	HP	Volt	Phase
<b>5P2R™ 50Hz</b>	<b>S5P2R™ 50Hz</b>				
5P2RC-1	S5P2RC-1	0,37	1/2	220-240v	1~
5P2RC-3	S5P2RC-3	0,37	1/2	380-420v	3~
5P2RD-1	S5P2RD-1	0,55	3/4	220-240v	1~
5P2RD-3	S5P2RD-3	0,55	3/4	380-420v	3~
5P2RE-1	S5P2RE-1	0,75	1	220-240v	1~
5P2RE-3E3*	S5P2RE-3E3*	0,75	1	380-420v	3~
5P2RF-1	S5P2RF-1	1,10	1,5	220-240v	1~
5P2RF-3E3*	S5P2RF-3E3*	1,10	1,5	380-420v	3~

Union Kit not included (170396-1pc)

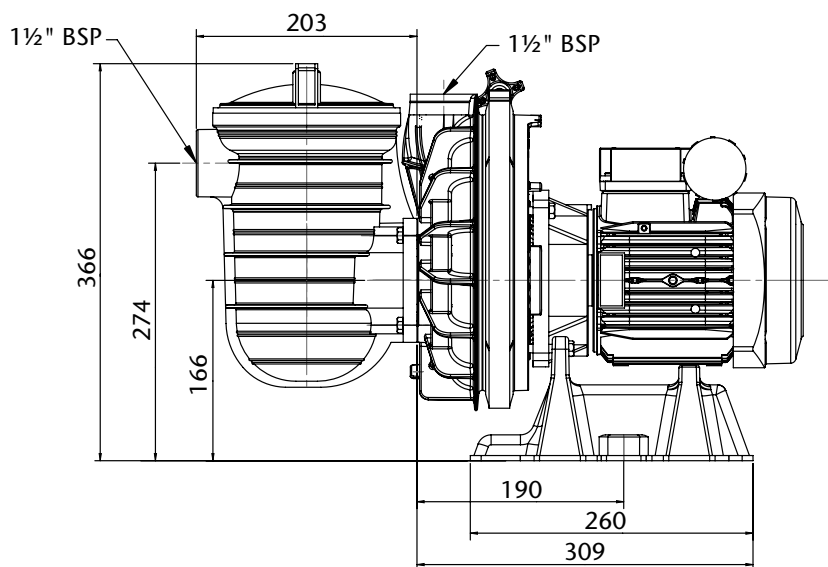
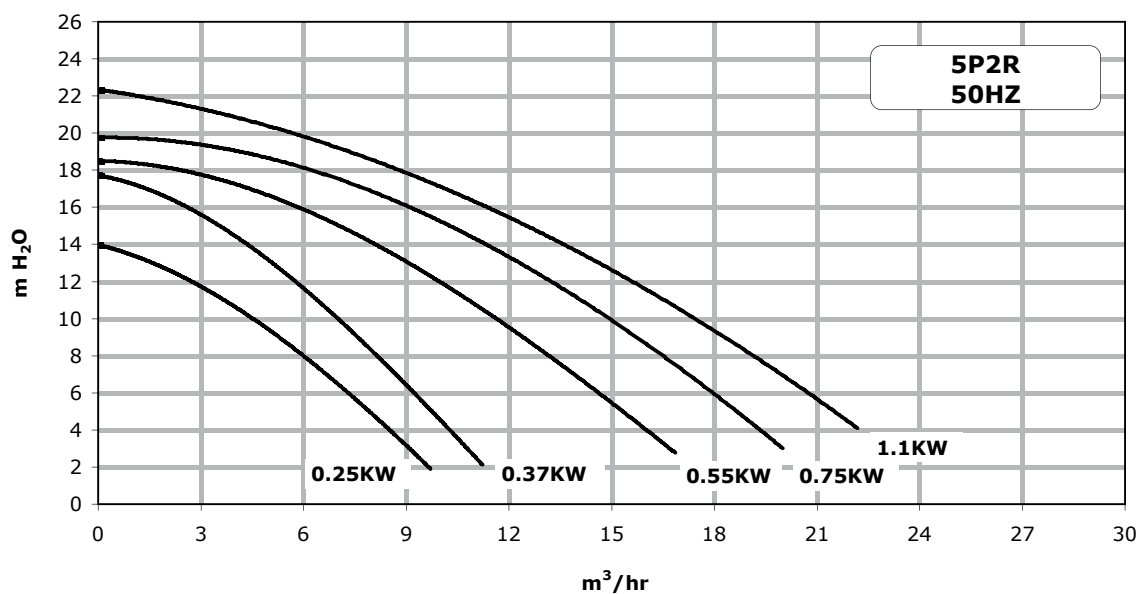
\*IE3-compliant

Model		Length (cm)	Width (cm)	Height (cm)	Weight (kg)	Pcs by pallet	Length pallet (cm)	Width pallet (cm)	Height pallet (cm)
<b>5P2R™ 50Hz</b>	<b>S5P2R™ 50Hz</b>								
5P2RC-1	S5P2RC-1	58	32	32	15,0	24	130	100	180
5P2RC-3	S5P2RC-3	58	32	32	15,0	24	130	100	180
5P2RD-1	S5P2RD-1	58	32	32	15,0	24	130	100	180
5P2RD-3	S5P2RD-3	58	32	32	12,9	24	130	100	180
5P2RE-1	S5P2RE-1	58	32	32	15,5	24	130	100	180
5P2RE-3E3*	S5P2RE-3E3*	58	32	32	17,0	24	130	100	180
5P2RF-1	S5P2RF-1	58	32	32	17,0	24	130	100	180
5P2RF-3E3*	S5P2RF-3E3*	58	32	32	17,0	24	130	100	180

# 5P2R™/S5P2R™ 50 HZ (CONT'D)

HIGH PERFORMANCE POOL PUMPS  
FOR SALT WATER APPLICATIONS (S VERSION)

## DIMENSIONS AND PERFORMANCE

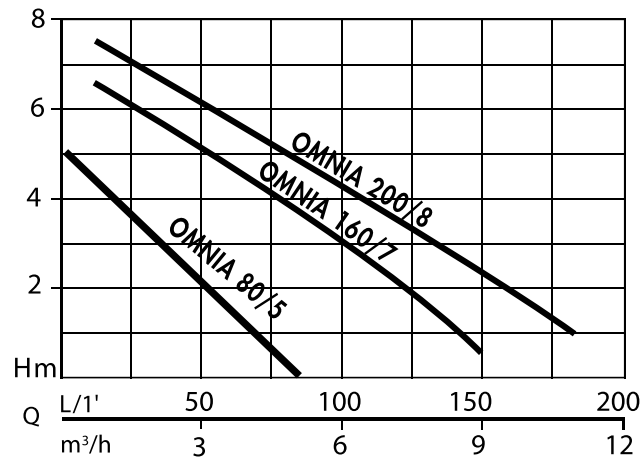


\* Dimensions refer to IE2-equivalent model.

Model	A
	mm
5P2RC-1	551
5P2RC-3	556
5P2RD-1	551
5P2RD-3	556
5P2RE-1	561
5P2RE-3E3*	591
5P2RF-1	561
5P2RF-3E3*	591

# FLOTEC

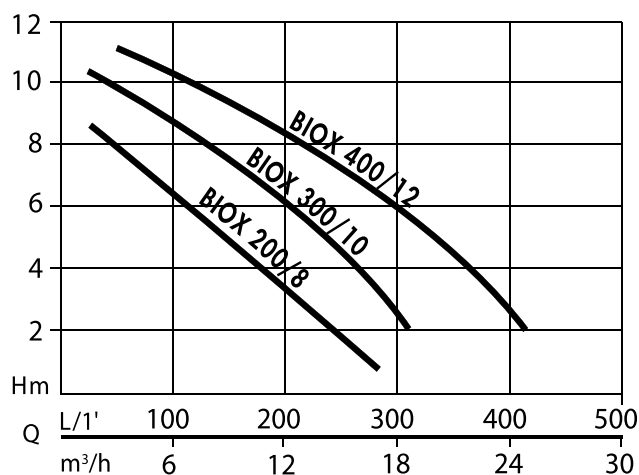
## OMNIA RANGE



	OMNIA 80/5 AUTO	OMNIA 160/7 AUTO	OMNIA 200/8 AUTO
ARTICLE	N2081080	N2081050	N2081060
EAN CODE	8010583102581	8010583101676	8010583101683
ABSORBED POWER	300 W	500 W	750 W
MAX HEAD / PRESSURE	5 m / 0,5 bar	7 m / 0,7 bar	8 m / 0,8 bar
MAX FLOW RATE	4800 l/h	9600 l/h	12000 l/h
VOLTAGE / FREQUENCY	230 V - 50 hz	230 V - 50 hz	230 V - 50 hz
RATED CURRENT	1.4 A	2.5 A	3.2 A
MAX DEPTH OF IMMERSION	7 m	7 m	7 m
MAX TEMPERATURE OF PUMPED FLUID	40 °C	40 °C	40 °C
START / STOP LEVEL	250 mm / 100 mm	250 mm / 100 mm	250 mm / 100 mm
PUMP BODY	Stainless steel	Stainless steel	Stainless steel
POWER CABLE	10 m H07 RN8-F	10 m H07 RN8-F	10 m H07 RN8-F
MINIMUM DRAINING LEVEL	35 mm (manual)	35 mm (manual)	35 mm (manual)
MAX SIZE OF IMPURITIES	20 mm	20 mm	20 mm
PUMP OUTLET	41,90 mm (1"1/4 M)	41,90 mm (1"1/4 M)	41.90 mm (1" 1/4 M)
IMPELLER	Die-cast STAINLESS steel	Die-cast STAINLESS steel	Die-cast STAINLESS steel
ACCESSORIES	Adjustable connector for hoses Ø 25 and 32 mm	Adjustable connector for hoses Ø 25 and 32 mm	Adjustable connector for hoses Ø 25 and 32 mm

# FLOTEC

## BIOX RANGE



	BIOX 200/8 AUTO	BIOX 300/10 AUTO	BIOX 400/12 AUTO
ARTICLE	N2091020	N2091040	N2091060
EAN CODE	8010583101706	8010583101720	8010583101744
ABSORBED POWER	900 W	1300 W	1600 W
MAX HEAD / PRESSURE	9 m / 0,9 bar	11 m / 1,1 bar	12 m / 1,2 bar
MAX FLOW RATE	17000 l/h	21000 l/h	27000 l/h
VOLTAGE / FREQUENCY	230 V - 50 hz	230 V - 50 hz	230 V - 50 hz
RATED CURRENT	4.1 A	5.8 A	7.2 A
MAX DEPTH OF IMMERSION	7 m	7 m	7 m
MAX TEMPERATURE OF PUMPED FLUID	40 °C	40 °C	40 °C
START / STOP LEVEL	370 mm / 250 mm	400 mm / 300 mm	400 mm / 300 mm
PUMP BODY	Stainless steel	Stainless steel	Stainless steel
POWER CABLE	10 m H07 RN8-F	10 m H07 RN8-F	10 m H07 RN8-F
MINIMUM DRAINING LEVEL	45 mm (manual)	45 mm (manual)	45 mm (manual)
MAX SIZE OF IMPURITIES	40 mm	40 mm	40 mm
PUMP OUTLET	47,8 mm (2" M)	59,61 mm (2" M)	59,61 mm (2" M)
IMPELLER	Die-cast STAINLESS steel	Die-cast STAINLESS steel	Die-cast STAINLESS steel
ACCESSORIES	Reducer nipple 4/1 1"-2/1 1" Adjustable connector for hoses Ø 32 and 40 mm	Reducer nipple 4/1 1"-2/1 1" Adjustable connector for hoses Ø 32 and 50 mm	Reducer nipple 4/1 1"-2/1 1" Adjustable connector for hoses Ø 32 and 50 mm



# SPA BLOWER

## HIGH PERFORMANCE POOL BLOWER



**onga**

### FEATURED HIGHLIGHTS

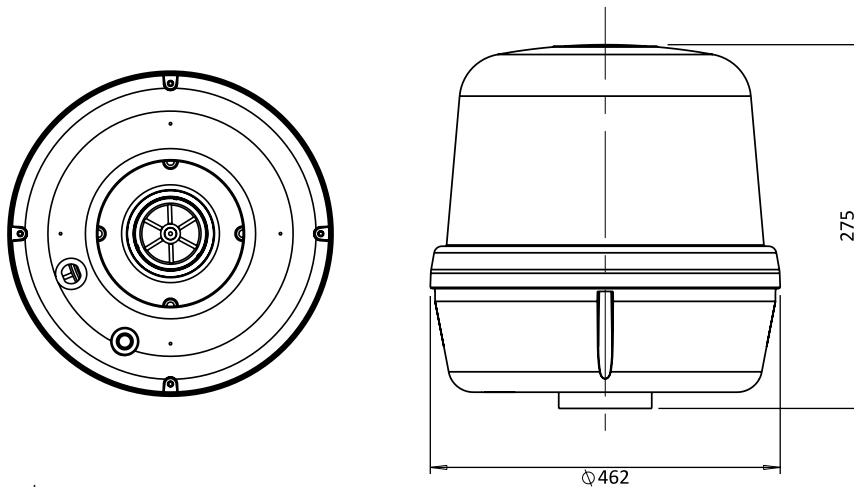
- High performance blower motor moves more energy with less effort.
- Optimised design using acoustic testing to minimise noise output.
- Incorporated sound deadening foam.
- Non-return valve to prevent returning water damage.
- Fits to standard 50mm PVC pipe.
- EMC filter to eliminate radio interference.
- 1 year limited warranty.\*\*

For greater levels of spa indulgence. The Onga blower adds the revitalising touch of warm swirling water enriched with millions of bubbles on your body in the ultimate therapeutic pleasure. In perfect harmony with your spa bath the Onga Spa Pool Blowers deliver a strong, reliable massage.

### ORDERING INFORMATION

Product	Model	Voltage (VAC)	Full Load (A)	Carton Dim (mm)	Carton Wt. (Kg)	Pallet Qty.
HIGH PERFORMANCE SINGLE PHASE						
1043100	1200W Spa Pool Blower No Air Switch	240-230	6.3	280x270x310	4.7	64
1043000	1200W Spa Pool Blower No Air Switch	240-230	6.3	280x270x310	4.7	64

### DIMENSIONS



\*Terms and conditions apply

# PSP SERIES™ 50 HZ

## COMMERCIAL PLASTIC SELF-PRIMING PUMPS WITH AND WITHOUT HAIR AND LINT STRAINER



5PSP 7,5-10-12,5HP



5PSP 3,5 - 4,5 - 5,5HP

### FEATURED HIGHLIGHTS

- Especially designed for swimming pool, aquatic and aquaculture applications.
- Seawater approved up to 4% salt concentration.
- Available with or without large pre-filter.
- Injection molded components of high quality glass-reinforced thermoplastic.
- CE & TUV Approved, IP55 protected, IE2 compliant TEFC motor.
- Corrosion resistant, high grade stainless steel motor shaft.
- Included connections are metric slip fit 110mm ID inlet and 90mm ID - outlet for 3,5 to 5,5HP versions and 110mm ID outlet for 7,5 and 10HP versions.
- High chemical resistance with all metal internal components being stainless steel.
- 2850 RPM Motor

### ORDERING INFORMATION

Product	Voltage	HP	KW	Primary Listings and Certifications	Port Size Metric ISO / DIN INLET	Port Size Metric ISO / DIN OUTLET	Weight	BOX Dimensions (mm)
---------	---------	----	----	-------------------------------------	----------------------------------	-----------------------------------	--------	---------------------

#### Three Phase Pool Pumps with PRE-Filter

5PSP-350-3	λ 380V	3,50	2,60	CE - TÜV	110mm	90mm	32,40 Kg	860 x 375 x 600
5PSP-450-3	λ 380V	4,50	3,30	CE - TÜV	110mm	90mm	35,30 Kg	860 x 375 x 600
5PSP-550-3	λ 380V	5,50	4,00	CE - TÜV	110mm	90mm	35,30 Kg	860 x 375 x 600
5PSP-750-3V2*	Δ 380V*	7,50	5,60	CE - TÜV	110mm	110mm	84 Kg	1030 x 480 x 740
5PSP-1000-3V2*	Δ 380V*	10,00	7,50	CE - TÜV	125mm	110mm	90 Kg	1030 x 480 x 740
5PSP-1250-3V2*	Δ 380V*	12,50	8,90	CE - TÜV	125mm	110mm	94 Kg	1030 x 480 x 740

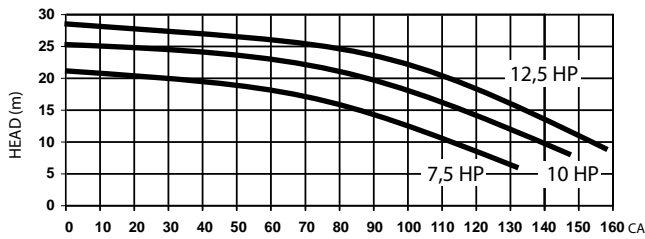
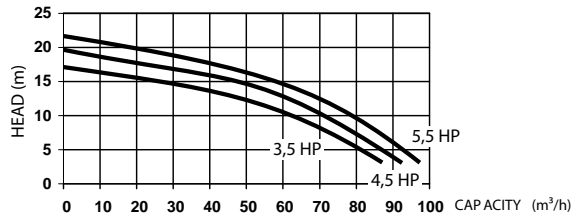
#### Three Phase Pool Pumps without PRE-Filter

5PSP-350WS-3	λ 380V	3,50	2,60	CE - TÜV	110mm	90mm	26,40 Kg	860 x 375 x 600
5PSP-450WS-3	λ 380V	4,50	3,30	CE - TÜV	110mm	90mm	29,60 Kg	860 x 375 x 600
5PSP-550WS-3	λ 380V	5,50	4,00	CE - TÜV	110mm	90mm	29,70 Kg	860 x 375 x 600
5PSP-750WS-3V2*	Δ 380V*	7,50	5,60	CE - TÜV	110mm	110mm	78 Kg	1030 x 480 x 740
5PSP-1000WS-3V2*	Δ 380V*	10,00	7,50	CE - TÜV	125mm	110mm	84 Kg	1030 x 480 x 740
5PSP-1250WS-3V2*	Δ 380V*	12,50	Δ 380V*	CE - TÜV	125mm	110mm	88 Kg	1030 x 480 x 740

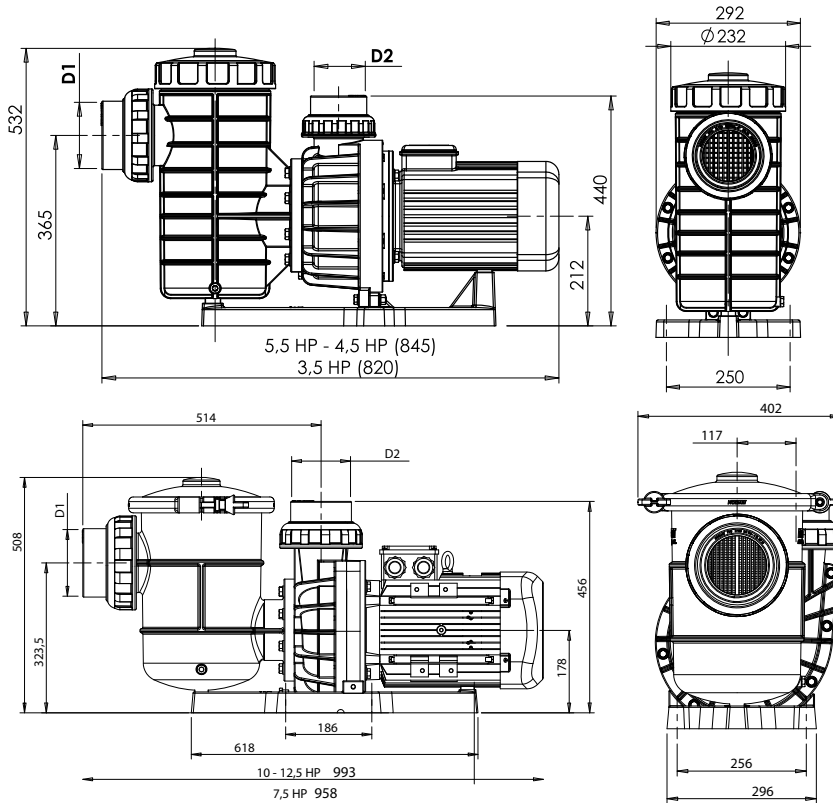
Soft starter required \*

# PSP SERIES® 50 HZ (CONT'D)

COMMERCIAL PLASTIC SELF-PRIMING PUMPS  
WITH AND WITHOUT HAIR AND LINT STRAINER



Model	D1	D2
	mm	mm
3,5HP	110	90
4,5HP	110	90
5,5HP	110	90
7,5HP	110	110
10HP	125	110
12,5HP	125	110



COMMERCIAL

AUTOMATION

FILTERS

VALVES

PUMPS

HEATERS &  
HEAT PUMPS

LIGHTING

CLEANERS

WATER  
FEATURES

CHEMICAL  
CONTROLLERS  
& SANITIZERS

WHITE  
GOODS

MAINTENANCE  
& SAFETY

LIFTS & DECK  
EQUIPMENT

SPA

# XCP SERIES

## COMMERCIAL END SUCTION CENTRIFUGAL PUMP



### FEATURED HIGHLIGHTS

- Motor is suitable for most VFD's.
- Use of Burgmann commercial mechanical seal guarantees best performance.
- SKF bearings are selected to provide the most durable and efficient performance ever.
- Internal three phase thermistor to protect motor.

Commercial Cast Iron pump, especially designed for competition and public swimming pools, aquatic facilities, water parks and water features.

### ORDERING INFORMATION

Product	Product	Voltage	KW	Phase	RPM	Weight
---------	---------	---------	----	-------	-----	--------

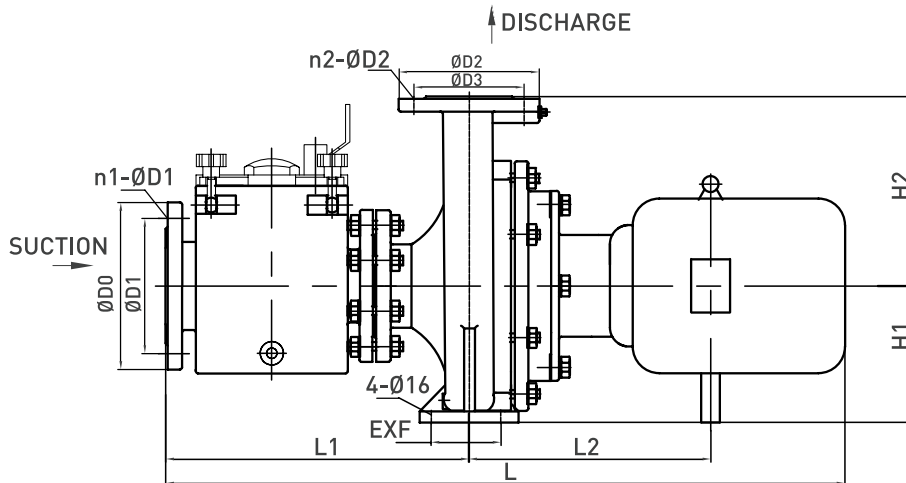
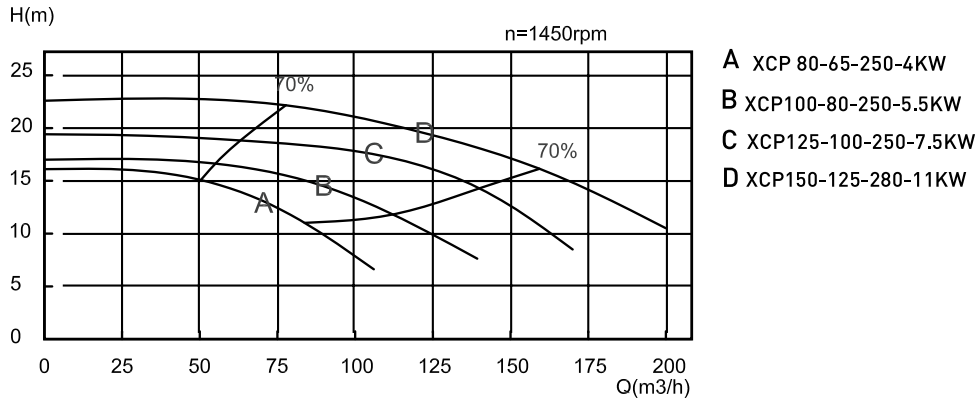
#### CXP - Series

XCP-2501	XCP 80-65-250-4KW with strainer	380 V	4.00 KW	3~	1450	122 Kg
XCP-2502	XCP 100-80-250-5.5KW with strainer	380 V	5.50 KW	3~	1450	127 Kg
XCP-2503	XCP 125-100-250-7.5KW with strainer	380 V	7.50 KW	3~	1450	130 Kg
XCP-2504	XCP 150-125-280-11KW with strainer	380 V	11.00 KW	3~	1450	236 Kg

# XCP SERIES (CONT'D)

COMMERCIAL END SUCTION  
CENTRIFUGAL PUMP

## DIMENSIONS AND PERFORMANCE



### XCP Pumps

XCP Pump Type	Suction Dimension				Discharge Dimension				Outline Dimension					
	DN	D0	D1	n1-Ød1	DN	D2	D3	n2-Ød2	L1	L2	L	ExF	H1	H2
XCP 80-65-250	Ø100	Ø220	Ø180	8-Ø18	Ø65	Ø185	Ø145	4-Ø18	432	320	897	100x315	180	250
XCP 100-80-250	Ø125	Ø250	Ø210	8-Ø18	Ø80	Ø200	Ø160	8-Ø18	484	320	1005	130x315	200	280
XCP 125-100-250	Ø150	Ø285	Ø240	8-Ø22	Ø100	Ø220	Ø180	8-Ø18	587	318	1127	160x315	225	315
XCP 150-125-280	Ø200	Ø340	Ø295	12-Ø22	Ø125	Ø250	Ø210	8-Ø18	653	385	1293	200x315	250	355

All dimensions shown in millimeters.

COMMERCIAL

AUTOMATION

FILTERS

VALVES

PUMPS

HEATERS &  
HEAT PUMPS

LIGHTING

CLEANERS

WATER  
FEATURES

CHEMICAL  
CONTROLLERS  
& SANITIZERS

WHITE  
GOODS

MAINTENANCE  
& SAFETY

LIFTS & DECK  
EQUIPMENT

SPA

# EQ SERIES® 50 & 60 HZ

COMMERCIAL PLASTIC PUMPS  
WITH AND WITHOUT HAIR AND LINT STRAINER

COMMERCIAL



Protected by U.S. Patent Pending and all corresponding foreign counterparts.

Commercial Plastic pump built specifically for commercial and large residential pools. Pump features extraordinary electrical and hydraulic efficiency that pays premiums in low electrical costs, less wear and tear on critical moving parts, and quiet operation.

## FEATURED HIGHLIGHTS

- Nema Premium Grade Efficiency Motors.
- Commercial grade, non-corrosive Plastic Parts for durability and long life.
- Cam and Ramp™ see thru lid.
- Self-priming with Hair and Lint Strainer.
- Drop-in replacement for C Series Pump.
- Compatible with Acu Drive XS VFD.
- Light weight.
- Waterfall models great for low head, high flow applications.
- Easy cleaning and serviceability.



EQ Series Body



EQ Series Strainer

## ORDERING INFORMATION

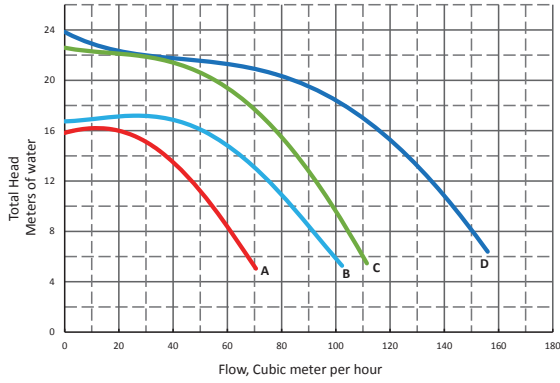
Product	Description	Voltage (V)	Amps	HP	PH	Dim A (mm)	Dim B (mm)	Dim C (mm)	Weight (Kg)
AP340082	EQK-300-AP	230/400	7.01/4.05	3	3	338.8	266.7	1068.3	59
AP340081	EQK-500-AP	230/400	11.8/6.8	5	3	338.8	266.7	1068.3	63
AP340080	EQK-750-AP	230/400	17.3/10.0	7.5	3	360.4	292.1	1126.7	77
AP340049	EQK-1000-AP	230/400	23.1/13.3	10	3	360.4	292.1	1126.7	91
AP340604	EQKT-300-AP	208-230/460	12.7-11.5/5.77	5	3	338.8	266.7	1068.3	59
AP340605	EQKT-500-AP	208-230/460	18.7-17.0/8.48	7.5	3	360.4	292.1	1126.7	76
AP340606	EQKT-750-AP	208-230/460	35.6-33.0/16.5	10	3	360.4	292.1	1126.7	81
AP340607	EQKT-1000-AP	208-230/460	35.6-33.0/16.5	15	3	360.4	292.1	1126.7	91

# EQ SERIES® 50 & 60 HZ (CONT'D)

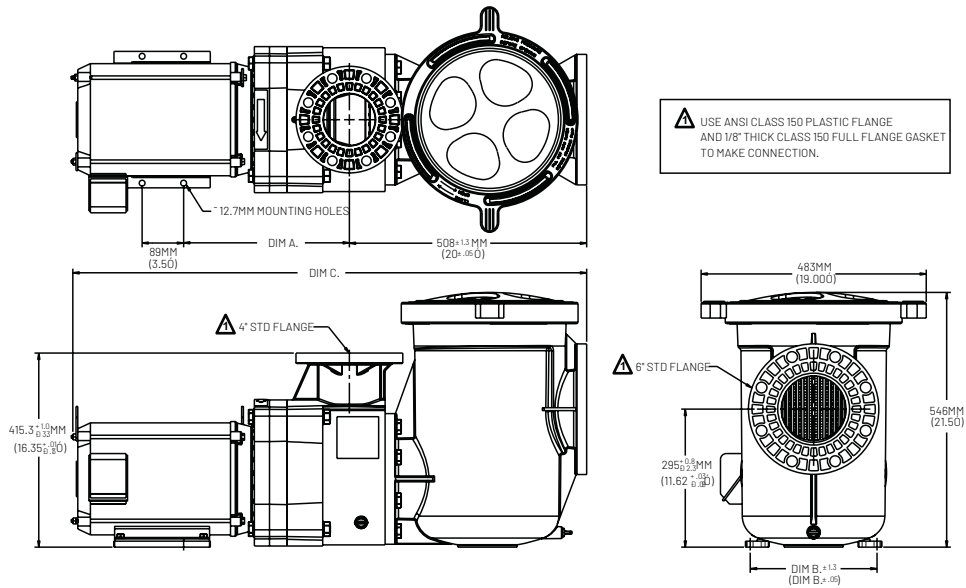
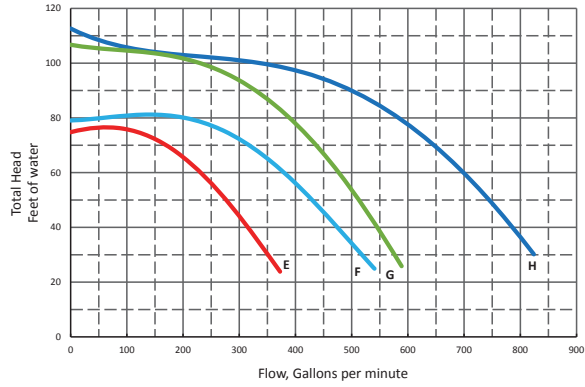
COMMERCIAL PLASTIC PUMPS  
WITH AND WITHOUT HAIR AND LINT STRAINER

## DIMENSIONS AND PERFORMANCE

EQ Series 50Hz Performance Curves



EQ Series 60Hz Performance Curves



COMMERCIAL

AUTOMATION

FILTERS

VALVES

PUMPS

HEATERS & HEAT PUMPS

LIGHTING

CLEANERS

WATER FEATURES

CHEMICAL CONTROLLERS & SANITIZERS

WHITE GOODS

MAINTENANCE & SAFETY

LIFTS & DECK EQUIPMENT

SPA

COMMERCIAL

# CSP/CCSP SERIES™ 60 HZ

COMMERCIAL CAST IRON SELF-PRIMING PUMPS  
WITH AND WITHOUT HAIR AND LINT STRAINER



## FEATURED HIGHLIGHTS

- Especially designed for commercial and public swimming pools and spas, aquatic facilities, water parks and fountain applications where high performance and self-priming are required.
- Pump has enclosed bronze impeller and standard 6 in. x 4 in. A.N.S.I. flange connections (D.I.N. option available for 50 Hz models).
- The pump strainer (order separately) has capacity of 1,100 cubic inches.
- Both pump and strainer can be ordered with optional epoxy coated castings to provide additional performance and corrosion resistance.

## ORDERING INFORMATION

Product	Voltage	Amps <sup>1</sup>	HP	SF	SFHP	Primary Listings and Certifications <sup>4</sup>	Port Size (ANSI Flange)	Carton Wt. (Lbs.)	Curve Key
---------	---------	-------------------	----	----	------	--	-------------------------	-------------------	-----------

### Nema Standard Efficiency Three Phase Cast Iron

CSPHK3-142	208-230/460	21.2-19.2/9.6	7-1/2	1.25	9.38	NSF <sup>2</sup>	6 in. x 4 in.	265	A
CSPHL3-143	208-230/460	27.6-24.4/12.2	10	1.25	12.50	NSF <sup>2</sup>	6 in. x 4 in.	270	B
CSPHM3-144	208-230/460	44.2-40/20	15	1.25	18.75	NSF <sup>2</sup>	6 in. x 4 in.	280	C
CSPHN3-145	208-230/460	55.3-50/25	20	1.25	25.00	NSF <sup>2</sup>	6 in. x 4 in.	325	D

### Accessories for Csp/Ccsp Series

PKG 184	Strainer for CSP/CCSP 6 in. ANSI flange (1,100 cu. in. capacity)	NSF <sup>3</sup>	6 in. x 6 in.	180	I
PKG 184C	Same as PKG 184 Except Strainer is Epoxy Coated	NSF <sup>3</sup>	6 in. x 6 in.	180	I

<sup>1</sup> Amp draw may vary depending on motor manufacturer.

<sup>2</sup> NSF(1) indicates that pump bears a NSF mark signifying evaluation to NSF Standard 50 For Self-Priming Centrifugal Pumps For Swimming Pools And Spas.

<sup>3</sup> NSF(2) indicates that product bears a NSF mark signifying evaluation to NSF Standard 50 For Materials and Components.

<sup>4</sup> Product may have been evaluated to other state and local regulatory standards. Listing status may change. Always confirm status with appropriate agency if in doubt. s must be purchased separately.



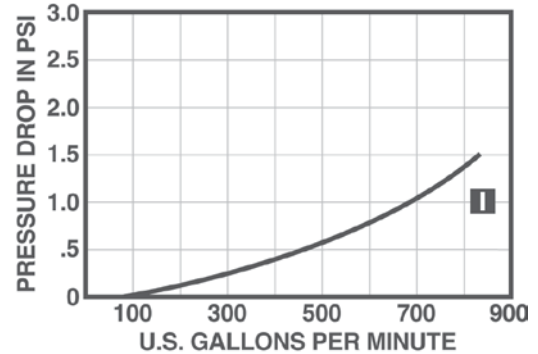
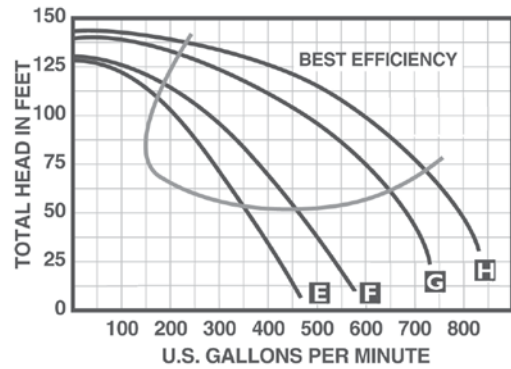
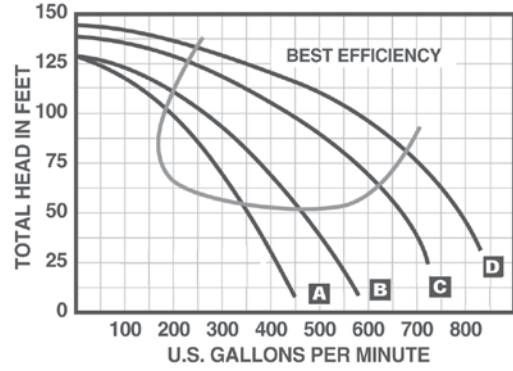
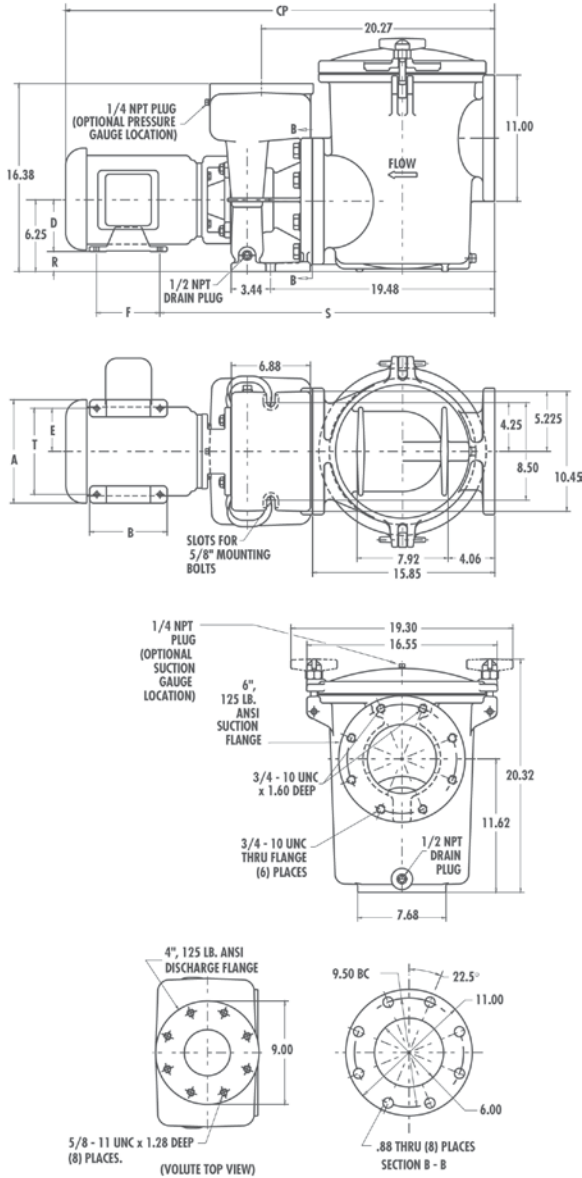
# CSP/CCSP SERIES™ 60 HZ (CONT'D)

COMMERCIAL CAST IRON SELF-PRIMING PUMPS  
WITH AND WITHOUT HAIR AND LINT STRAINER

## DIMENSIONS AND PERFORMANCE

**Options:** CCSP Models feature special epoxy coated castings for maximum performance and corrosion resistance. 60 Hz T.E.F.C., 60 Hz premium efficiency, or 575 volt motors available.

**Note:** Maximum ambient temperature for motor is 104°F (40°C). All pump motors require external overload protection (magnetic starter). Pump strainer must be ordered separately. Full load amps on motor model plate.



Catalog Number	A	B	CP	D	E	F	R	S	T
CSPHK3, CCSPHK3, CSPH2K3	9.00	6.75	40.31	4.50	3.75	5.50	1.75	29.13	7.50
CSPHL3, CCSPHL3	10.62	7.00	41.00	5.25	4.25	5.50	1.00	30.00	8.50
CSPHM3, CCSPHM3	10.62	8.50	42.50	5.25	4.25	7.00	1.00	30.00	8.50
CSPHN3, CCSPHN3	12.50	10.80	46.75	6.25	5.00	8.20	0.00	31.62	10.00

All dimensions shown in inches.

COMMERCIAL

AUTOMATION

FILTERS

VALVES

PUMPS

HEATERS & HEAT PUMPS

LIGHTING

CLEANERS

WATER FEATURES

CHEMICAL CONTROLLERS & SANITIZERS

WHITE GOODS

MAINTENANCE & SAFETY

LIFTS & DECK EQUIPMENT

SPA

# 5CSP/5CCS SERIES™ 50 HZ

COMMERCIAL SELF-PRIMING PUMP

COMMERCIAL



5CSP/5CCSP Series Commercial Self-Priming Pump

## FEATURED HIGHLIGHTS

- Especially designed for commercial and public swimming pools and spas, aquatic facilities, water parks and fountain applications where high performance and self-priming are required
- Pump has enclosed bronze impeller and standard 6 in. x 4 in. A.N.S.I. flange connections
- The pump strainer (order separately) has capacity of 1,100 cubic inches. Both pump and strainer can be ordered with optional epoxy coated castings to provide additional performance and corrosion resistance

Note: 50 hertz pumps cannot be used in North America.

## ORDERING INFORMATION

Product	Voltage	Amps <sup>1</sup>	HP	SF	SFHP	Primary Listings and Certifications <sup>3</sup>	Port Size (ANSI Flange)	Carton Wt. (Lbs.)	Curve Key
---------	---------	-------------------	----	----	------	--	-------------------------	-------------------	-----------

### Single Phase Cast Iron Without Strainer- 50 Hz

5CSPHJ-142	220-240	35.5-32.5	5	1.00	5		6 in. x 4 in.	270	A
5CSPHK-143	220-240	43.0-39.4	7-1/2	1.00	7-1/2		6 in. x 4 in.	280	B

### Single Phase Cast Iron Without Strainer- 50 Hz

5CSPHJ3-142	220-240/ 380-415	13.0/6.9	5	1.00	5		6 in. x 4 in.	260	A
5CSPHK3-143	220-240/ 380-415	20.7-21.5/ 12.0/12.4	7-1/2	1.00	7-1/2		6 in. x 4 in.	270	B
5CSPHL3-144	220-240/ 380-415	27.0-27.5/ 15.6-15.9	10	1.00	10		6 in. x 4 in.	280	C
5CSPHM3-145	220-240/ 380-415	38.9-20.6	15	1.00	15		6 in. x 4 in.	300	D

### Three Phase Epoxy Coated Cast Iron Without Strainer - 50 Hz

5CCSPHJ3-142	220-240/ 380-415	13.0/6.9	5	1.00	5		6 in. x 4 in.	260	A
5CCSPHK3-143	220-240/ 380-415	20.7-11.0	7-1/2	1.00	7-1/2		6 in. x 4 in.	270	B
5CCSPHL3-144	220-240/ 380-415	26.9-14.3	10	1.00	10		6 in. x 4 in.	280	C
5CCSPHM3-145	220-240/ 380-415	38.9-20.6	15	1.00	15		6 in. x 4 in.	300	D

### Accessories For 5Csp/5Csp Series

PKG 184	Strainer for CSP/CCSP 6 in. ANSI flange (1,100 cu. in. capacity)	NSF <sup>4</sup>	6 in. x 6 in.	180	I
PKG 184C	Same as PKG 184 Except Strainer is Epoxy Coated	NSF <sup>4</sup>	6 in. x 6 in.	180	I
357262	Flange 4 in. w/ gasket and SS hardware <sup>2</sup>			20	
357263	Flange 6 in. w/ gasket and SS hardware <sup>2</sup>			23	

<sup>1</sup> Amp draw may vary depending on motor manufacturer. Full load amps on motor model plate.

<sup>2</sup> Thermoplastic PVC socket style.

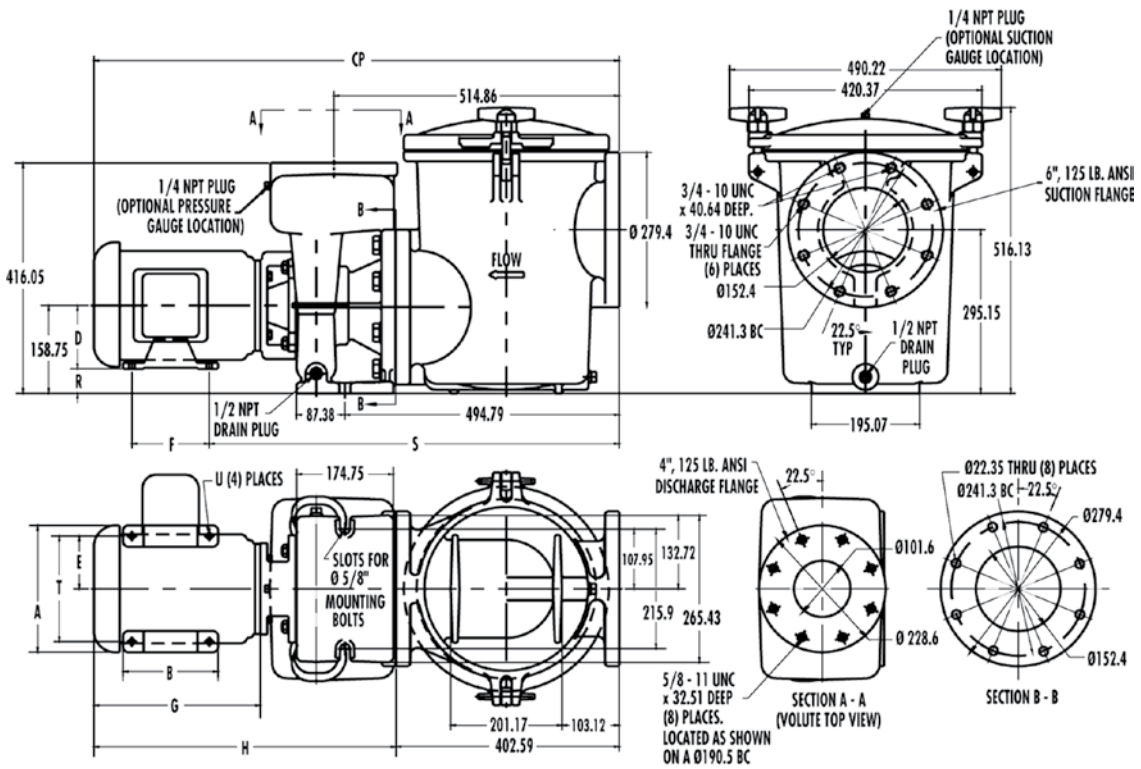
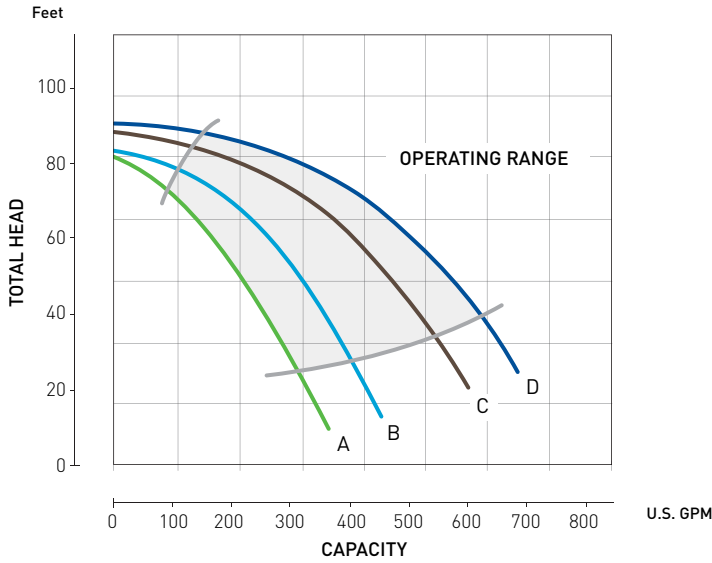
<sup>3</sup> Product may have been evaluated to other state and local regulatory standards. Listing status may change. Always confirm status with appropriate agency if in doubt.

<sup>4</sup> 'NSF(2)' indicates that product bears a NSF mark signifying evaluation to NSF Standard 50 For Materials and Components.

# 5CSP/5CCS SERIES™ 50 HZ (CONT'D)

COMMERCIAL SELF-PRIMING PUMP

## DIMENSIONS AND PERFORMANCE



Catalog Number	A	B	CP	D	E	F	R	S	T
5CSPHJ	269.75	177.8	1039.62	133.25	107.95	139.7	25.4	733.3	215.9
5CSPHK	269.75	215.9	1075.69	133.25	107.95	177.8	25.4	733.3	215.9
5CSPHJ3	228.6	171.45	988.82	133.25	95.25	139.7	44.45	734.06	190.5
5CSPHK3	269.75	177.8	1039.62	133.25	107.95	139.7	25.4	733.3	215.9
5CSPHL3	269.75	215.9	1075.69	133.25	107.95	177.8	25.4	733.3	215.9
5CSPHM3	317.5	274.32	1185.67	158.75	127.0	209.55	-	793.75	254.0

All dimensions shown in millimeters.

# C SERIES® 50 & 60 HZ

COMMERCIAL BRONZE PUMPS WITH HAIR AND LINT STRAINER

COMMERCIAL



## FEATURED HIGHLIGHTS

- Large commercial pump with s/s basket.
- Easy serviceability.
- All-bronze construction for strength and durability.
- 6 in. suction and 4 in. discharge for maximum capabilities.
- Heavy-gauge stainless steel strainer basket with an open area 5 times the area of the suction port.
- Closed impeller for longer motor bearing life.
- Heat-resistant seal capable of operation at up to 150°.
- Available in single and three-phase, 50 and 60-Hertz models.

Bronze volute and pot, coated cast iron foot, flanged connections, 6 in. suction, 4 in. discharge.

## ORDERING INFORMATION

Product	Description	Voltage	Amps	HP	SF	SFHP	Primary Listings and Certifications <sup>2</sup>	Port Size (ANSI Flange)	Carton Wt. (Lbs.)	Curve Key
---------	-------------	---------	------	----	----	------	--	-------------------------	-------------------	-----------

### Nema Standard Efficiency Three Phase 220/440V - 60 Hz

015662	CHK-50	220/440	13.0/6.5	5	1.15	5.75	NSF <sup>1</sup>	6 in. x 4 in.	336	A
015663	CHK-75	220/440	18.4/9.2	7-1/2	1.15	8.63	NSF <sup>1</sup>	6 in. x 4 in.	349	B
015664	CHK-100	220/440	25.3/12.6	10	1.15	11.50	NSF <sup>1</sup>	6 in. x 4 in.	376	C
015665	CHK-150	220/440	37.5/18.8	15	1.15	17.25	NSF <sup>1</sup>	6 in. x 4 in.	398	D
015666	CHK-200	220/440	49.0/24.6	20	1.15	23.00	NSF <sup>1</sup>	6 in. x 4 in.	403	E

Product	Description	Voltage	Amps	HP	SF	SFHP	Primary Listings and Certifications <sup>2</sup>	Port Size (ANSI Flange)	Carton Wt. (Lbs.)	Curve Key
---------	-------------	---------	------	----	----	------	--	-------------------------	-------------------	-----------

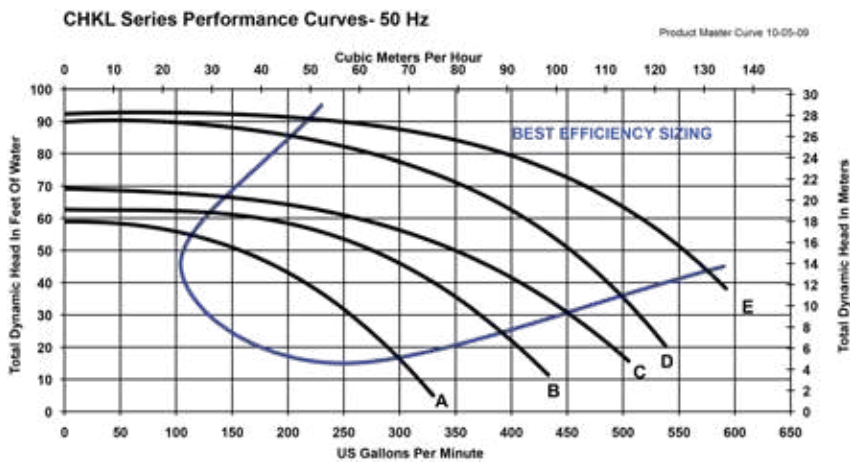
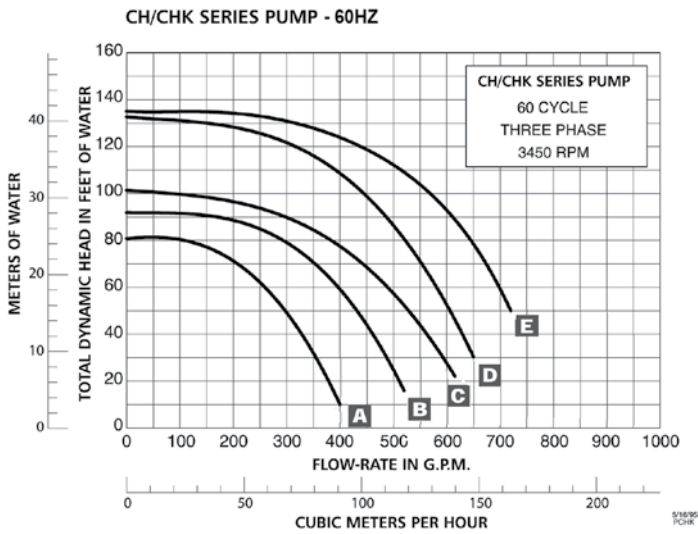
### Nema Standard Efficiency Three Phase 380-415V- 50 Hz

014880	CHKL-50	380-415	7.5-6.8	5	1.15	5.75	-	6 in. x 4 in.	336	A
014881	CHKL-75	380-415	11.0-10.0	7-1/2	1.00	7-1/2	-	6 in. x 4 in.	346	B
014882	CHKL-100	380-415	14.5-14.6	10	1.15	11.50	-	6 in. x 4 in.	374	C
014883	CHKL-150	380-415	20.5-19.0	15	1.15	17.25	-	6 in. x 4 in.	396	D
014884	CHKL-200	380-415	28.0-26.0	20	1.15	23.00	-	6 in. x 4 in.	403	E

# C SERIES® 50 & 60 HZ (CONT'D)

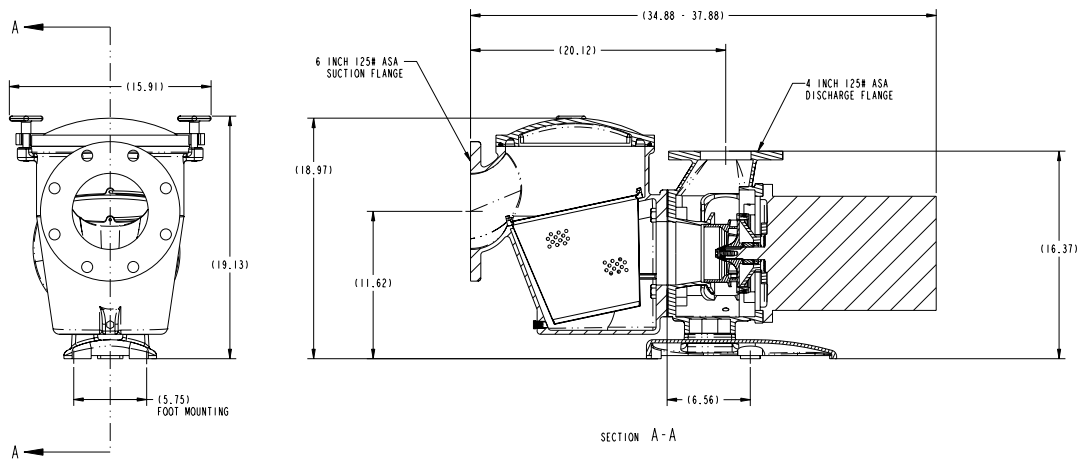
COMMERCIAL BRONZE PUMPS WITH HAIR AND LINT STRAINER

## DIMENSIONS AND PERFORMANCE



Three-Phase Amps  
220 / 440 & 380 / 415 V

Amps	A mm	B mm
14	34.88	19.50
20	35.88	20.50
26	36.88	22.50
38	37.88	22.00
46	37.88	23.50



COMMERCIAL

AUTOMATION

FILTERS

VALVES

PUMPS

HEATERS &  
HEAT PUMPS

LIGHTING

CLEANERS

WATER  
FEATURES

CHEMICAL  
CONTROLLERS  
& SANITIZERS

WHITE  
GOODS

MAINTENANCE  
& SAFETY

LIFTS & DECK  
EQUIPMENT

SPA

# AURORA® ISO

## END SUCTION CENTRIFUGAL PUMPS



**Aurora ISO**  
End Suction Centrifugal  
Pumps



### FEATURED HIGHLIGHTS

- Compact close coupled design.
- Superior hydraulic design and manufacturing methods for significantly higher efficiencies and reduced maintenance.
- High efficiency double curvature impeller vanes.
- 50 to 200mm discharge.
- Cast iron or stainless steel construction.
- AS2129 Table "E" flanges as standard with optional drillings available.
- Back-pullout design does not require the disconnection and removal of suction and discharge lines for maintenance.
- Choice of high quality WEG TEFC IP55 motors with sealed for life (11kW and under) or regreasable (15kW and over) motor bearings.
- Taper mounted and keyed impeller.
- Horizontal or vertical pump discharge mounting.

The Southern Cross ISO end suction pumps are non- self priming, single stage, centrifugal volute pumps with axial suction port, radial discharge port and horizontal shaft. Starline ISO pumps are suitable for all applications in commercial pool.

Below table and charts feature all stainless steel pumps with 1450RPM motors.

### ORDERING INFORMATION

Part	Model	Motor Power Rating (kw)	RPM	Voltage (VAC)	Input Power (P1, kW)	Output Power (P2, kW)	Max Current (A)
------	-------	-------------------------	-----	---------------	----------------------	-----------------------	-----------------

#### Starline Iso

MUFC45S	80X50-200	2.2	1450	400-415	2.54	2.2	4.5
MUFC46S	80X50-200	3	1450	400-415	2.91	2.55	5
MUFD47S	100X65-200	4	1450	400-415	4.51	4	7.8
MUFE48S	125X80-200	5.5	1450	400-415	6.17	5.5	10.2
MUFF49S	125X100-200	7.5	1450	400-415	8.25	7.47	13.5
MUGF49S	125x100-250	7.5	1450	400-415	8.29	7.5	13.6
MUGG51S	150x125-250	11	1450	400-415	12.05	11	20.7
MUGG52S	150x125-250	15	1450	400-415	16.34	15	28.1
MUGG53S	150x125-250	18.5	1450	400-415	19.81	18.5	34.4
MUHH54S	200x150-315	22	1450	400-415	23.48	22	38.4
MUHH55S	200x150-315	30	1450	400-415	31.98	30	54.9
MUHJ57S	250x200-315	37	1450	400-415	39.53	37	63.7

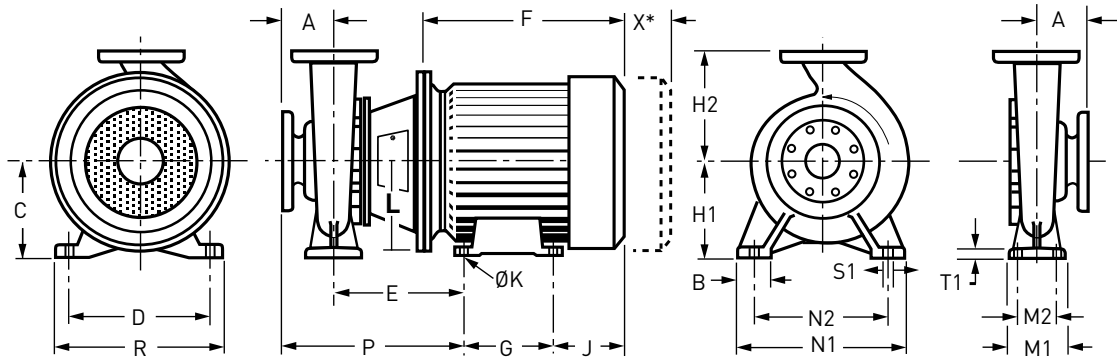
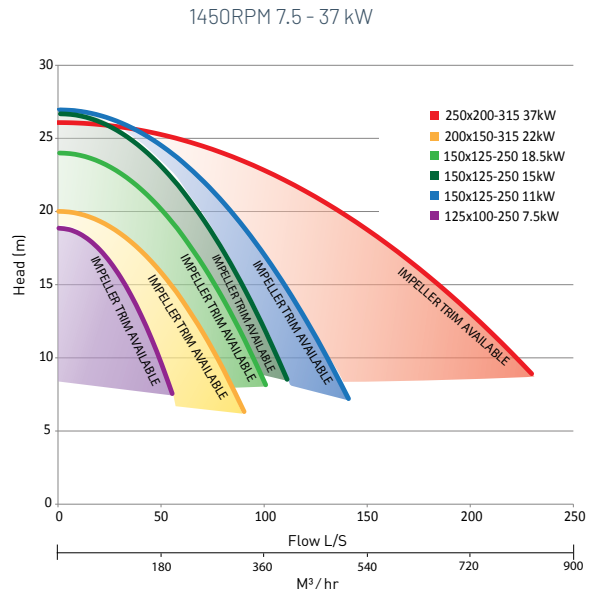
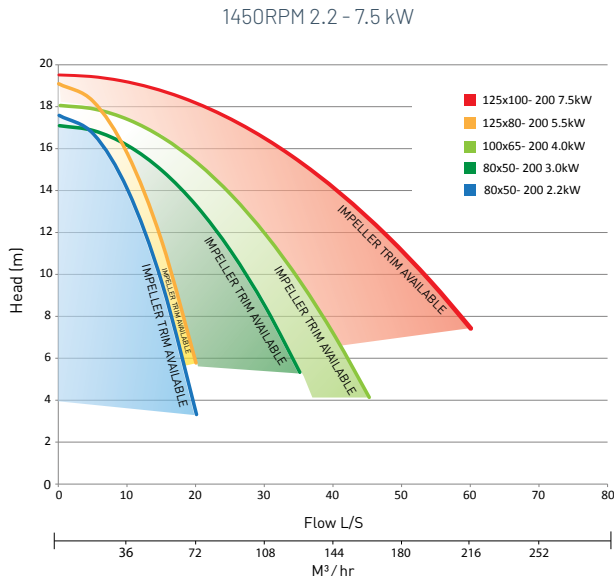
\*All models available with impeller trims to match best efficiency point with duty point. Contact Pentair for optional engineered solutions.

\*\*Pump model consists of suction size X discharge size - nominal impeller diameter.

# AURORA® ISO

END SUCTION CENTRIFUGAL PUMPS

## DIMENSIONS AND PERFORMANCE\*



Pump Model	80X50-200 2.2KW	80X50-200 3KW	100X65-200 4KW	125X80-200 5.5KW	125X100-200 7.5KW	125X100-250 7.5KW	150X125-250 11KW	150X125-250 15KW	150X125-250 18.5KW	200X150-315 22KW	200X150-315 30KW	250X200-315 37KW
A (mm)	100	100	100	125	125	140	140	140	140	160	160	180
B (mm)	50	50	65	65	80	80	80	80	80	100	100	100
C (mm)	100	100	100	132	132	132	160	160	160	180	200	225
D (mm)	160	160	160	216	216	216	254	254	279	279	318	356
E (mm)	225	225	229	274	275	295	349	349	362	461	473	489
F (mm)	325	325	325	390	430	430	505	560	575	615	643	660
G (mm)	140	140	140	140	178	178	210	254	241	279	305	286
H1 (mm)	160	160	180	180	200	225	250	250	250	315	315	315
H2 (mm)	200	200	225	250	280	280	355	355	355	400	400	450
J (mm)	122	122	122	161	163	163	187	198	213	215	205	225
K (mm)	12	12	12	12	12	12	15	15	15	15	19	19
L (mm)	125	125	125	150	150	150	175	175	175	175	200	225
M1 (mm)	100	100	125	125	160	160	160	160	160	210	210	210
M2 (mm)	70	70	95	95	120	120	120	120	120	150	150	150
N1 (mm)	265	265	320	345	360	400	400	400	400	540	540	540
N2 (mm)	212	212	250	280	280	315	315	315	315	450	450	450
P (mm)	325	325	329	399	400	435	489	489	502	621	633	669
R (mm)	205	205	205	270	270	270	320	320	355	355	395	435
ST1 (mm)	14	14	14	14	18	18	18	18	18	22	22	22
T1 (mm)	13	13	15	16	17	18	19	19	19	20	20	25
GAP X*(mm)	100	100	140	140	140	140	140	140	140	180	180	180
Weight (kg)	80	84	92	132	151	177	241	262	300	463	543	597

# AURORA® 340 SERIES

## COMMERCIAL SINGLE STAGE END SUCTION PUMPS

COMMERCIAL



341A

### FEATURED HIGHLIGHTS

- Computer machine components
- Precision-cast, dynamically balanced, enclosed impeller
- Oil seals and Neoprene rotating slingers protect bearings
- Mechanical seal
- Heavy-duty power frame
- Hydrostatic tested pumps
- Bronze fitted pump standard
- Back pull-out design simplifies disassembly
- Conveniently located lubrication fittings
- Epoxy coating options
- ODP and TEFC motor options
- Case wearing rings prevent wear
- NSF Std 50 options available

### ECONOMICAL WATER HANDLING SOLUTIONS

Today, pump installations demand a high standard for efficiency. The Aurora 340 Series pump meets this demand and exceeds the expectations of aquatic designers, and municipal and commercial pool management. Conceived from 90 years of design expertise the Aurora 340 Series pump is quiet, smooth running and provides a long reliable service life. Flexibility makes the 340 Series pump the answer for your custom aquatic features. Interchangeable standards and options help to easily configure any 340 Series pump. Capacities can be customized to 2500 GPM, heads up to 100 feet and temperature ranges to 106°F. This single-stage end suction pump is the work horse of an energy-efficient aquatic facility. Let Pentair Commercial Aquatics™ customize a 340 Series pump for your water feature or pool.

### ORDERING INFORMATION

Please contact us for applications sizing, pricing, and availability.

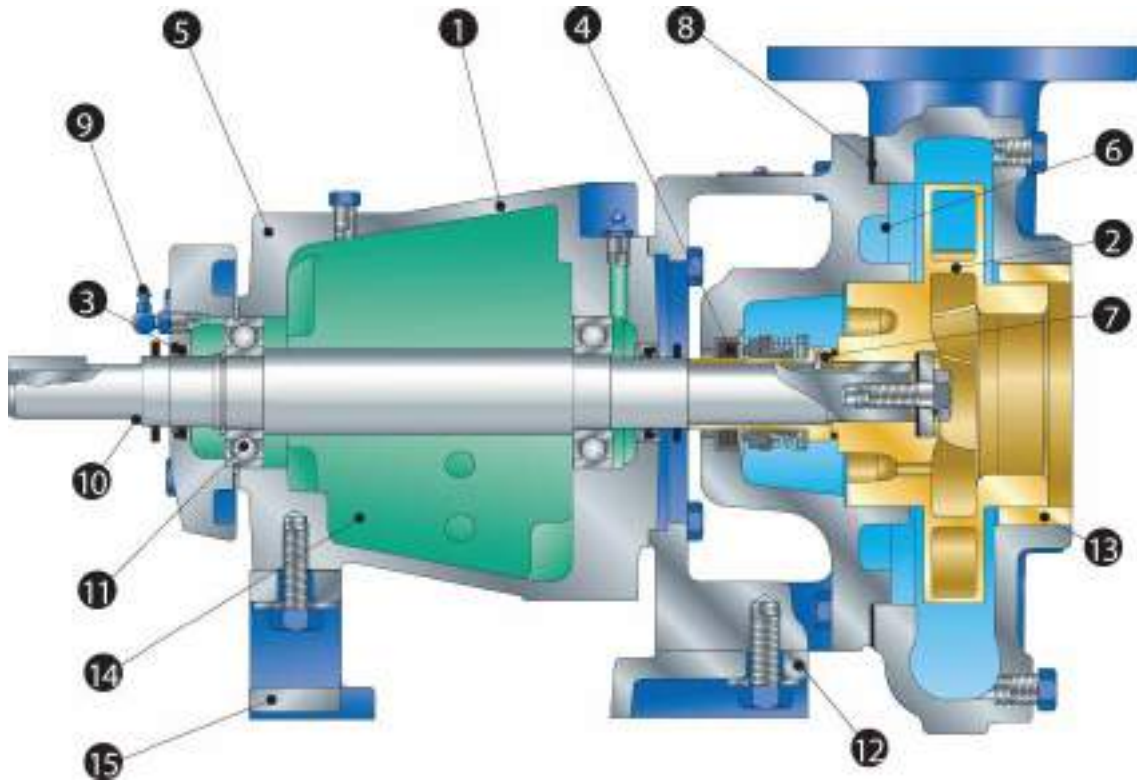
### DESIGN DETAILS

Pump Part	Standard Fitted	Bronze Fitted	All-Iron	All-Bronze
Casing	Cast Iron ASTM A48	Cast Iron ASTM A48	Cast Iron ASTM A48	Bronze ASTM B62
Case Wearing Ring	Bronze ASTM B62	Bronze ASTM B62	Cast Iron ASTM A48	Bronze ASTM B62
Impeller	Cast Iron ASTM A48	Bronze ASTM B584	Cast Iron ASTM A48	Bronze ASTM B584
Motor Bracket	Cast Iron ASTM A48	Cast Iron ASTM A48	Cast Iron ASTM A48	Cast Iron ASTM A48
Shaft	Steel AISI C1045	Steel AISI C1045	Steel AISI C1045	Steel AISI C1045
Power Frame	Cast Iron ASTM A48	Cast Iron ASTM A48	Cast Iron ASTM A48	Cast Iron ASTM A48
Mechanical Seal	303 Stainless steel metal parts, "Buna-N" elastomer parts, Ni-Resist seat and carbon washer			303 Stainless steel metal parts, viton, elastomer, ceramic seat and carbon washer
Stuffing Box	Cast Iron ASTM A48	Cast Iron ASTM A48	Cast Iron ASTM A48	Bronze ASTM B62



# AURORA® 340 SERIES (CONT'D)

COMMERCIAL SINGLE STAGE END SUCTION PUMPS



## DESIGN HIGHLIGHTS

1. Computer machined major components with 360-degree register fit to assure concentricity of all pump parts.
2. Precision-cast, dynamically-balanced, enclosed impeller is keyed to the shaft extension and secured by a capscrew and washer. Gaskets are used to prevent leakage to shaft end.
3. Oil seals and non-sparking Neoprene rotating slingers protect both bearings during pump operation and washdown.
4. Mechanical seal has hot water carbon against Ni-Resist face for optimum hot water performance. Long life is also assured with 303 stainless steel metal parts and «Buna-N» elastomer.
5. Power frame provides heavy duty maximum interchangeability for flexible coupled applications.
6. Hydrostatic test of pumps at factory guarantees casting and seal integrity.
7. Bronze shaft sleeve prevents shaft wear, is slip fit over the shaft, key locked and extends the full length of the seal box to eliminate corrosion of the shaft by the pumped liquid. This cancels the requirement for high cost, special stainless steel or alloy shafts.
8. Back pull-out design simplifies disassembly. The suction and discharge piping is not disturbed at disassembly.
9. Lubrication fittings are conveniently located for quick accessibility and provides positive bearing lubrication. Oil lubrication optionally available.
10. Carbon steel shaft designed for minimum deflection. Not to exceed .002» at sealing faces at maximum load.
11. Bearings selected for 3-year minimum life at maximum load. Average bearing life 5x minimum. Grease lube standard.
12. Close coupled motors in smaller frame sizes are supported off of the motor bracket for maximum rigidity.
13. Case wearing ring prevents wear on casing and is easily and inexpensively replaced. Impeller rings are available. Front case wearing rings are standard on all models and size pumps. Front impeller wearing rings are optional on all models and size pumps. Rear impeller wearing rings are optional only on 2» discharge and larger model 340 Series pumps.
14. Large capacity oil reservoir is provided on power frame model 344 pumps for optional oil lube.
15. Rear support foot provides support and simplifies coupling alignment. All supports are slotted to simplify back pull-out of power frame.

COMMERCIAL

AUTOMATION

FILTERS

VALVES

PUMPS

HEATERS &  
HEAT PUMPS

LIGHTING

CLEANERS

WATER  
FEATURES

CHEMICAL  
CONTROLLERS  
& SANITIZERS

WHITE  
GOODS

MAINTENANCE  
& SAFETY

LIFTS & DECK  
EQUIPMENT

SPA

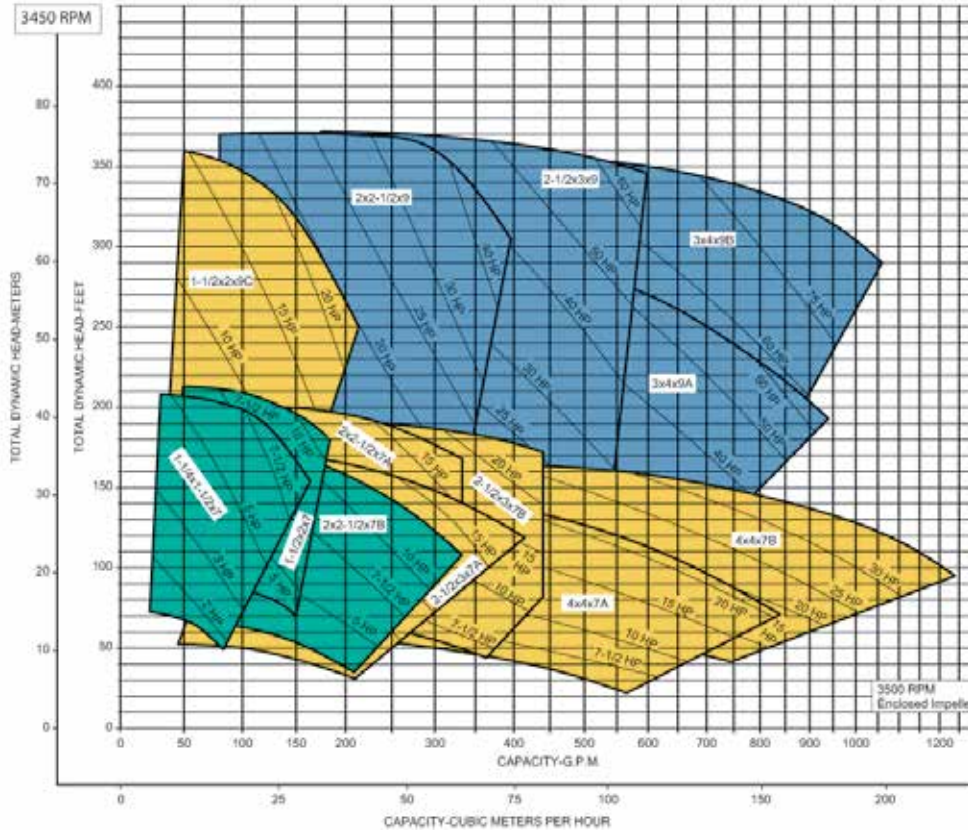
# AURORA® 340 SERIES (CONT'D)

COMMERCIAL SINGLE STAGE END SUCTION PUMPS

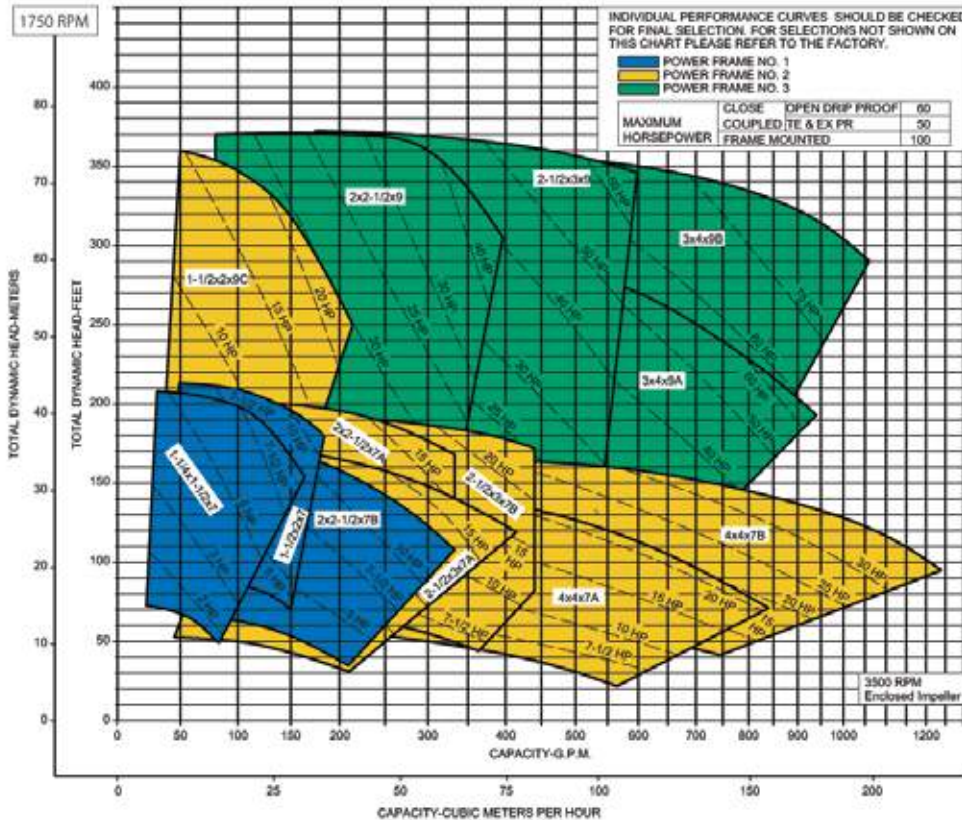
## CLEARANCE AREA

COMMERCIAL

340 Series



340 Series



- AUTOMATION
- FILTERS
- VALVES
- PUMPS
- HEATERS & HEAT PUMPS
- LIGHTING
- CLEANERS
- WATER FEATURES
- CHEMICAL CONTROLLERS & SANITIZERS
- WHITE GOODS
- MAINTENANCE & SAFETY
- LIFTS & DECK EQUIPMENT
- SPA

# AURORA® 340 SERIES (CONT'D)

## COMMERCIAL SINGLE STAGE END SUCTION PUMPS

### DIMENSIONS

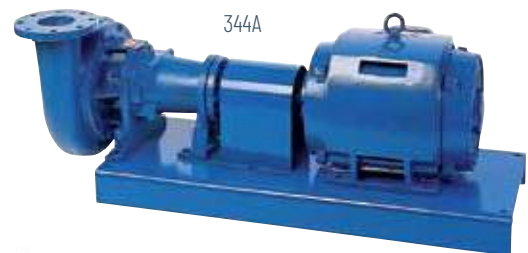
Pumps with Threaded Connections								340 Series			342 Series		
Pump Size			X	Y	Z	DC	DD	DF			Vertical Pumps		
Discharge	Suction	Case Bore						Frame 1 143JM- 215JM	Frame 2 or 3 254JM- 256JM	Frame 2 or 3 284JM- 326JM	VD	VE	VY
1¼	1½	7	5¼	2½	4¾	4¾	5¾	4¾	N/A	N/A	9¾	3¾	4
1¼	1½	98	6¾	2½	5¾	6¾	6¾	4½	N/A	N/A	9¾	3¾	4
1½	2	7	5¾	2½	4¾	5¾	5¾	4¾	N/A	N/A	10¾	4½	4½
1½	2	9	6¾	2½	5½	6¾	6¾	4¾	5¾	5¾	10¾	4½	4½
1½	2	11	9	2¾	6¾	7¾	7¾	N/A	5¾	5¾	10½	4½	4½
1½	2	12	7¾	2¾	7½	8	8¼	N/A	5¾	N/A	10¾	4½	4½

### Pumps with ANSI Standard 125 lb. Flanged Connections

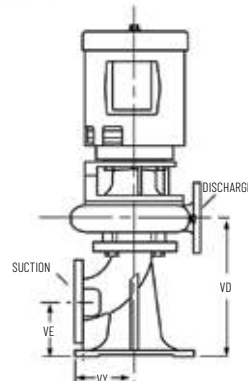
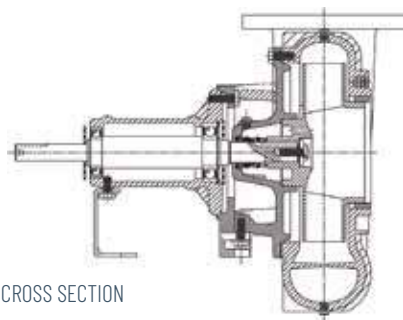
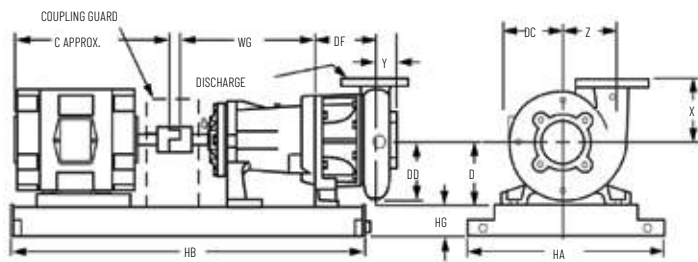
2	2½	7	5½	1½	4¾	5¾	5¾	4¾	5¾	N/A	11½	4½	5
2	2½	9	7	1½	5½	6½	4¾	5¾	5¾	5¾	11½	4½	5
2	2½	12	8	1½	7¾	8¾	8½	5	6	N/A	11½	4½	5
2	3	11	8	2¾	6½	7	7¾	5½	6½	N/A	12¾	5	5½
2½	3	7	5½	2	4¾	5¾	6¼	5½	6½	N/A	12¾	5	5½
2½	3	9	7¼	2	5¾	6¾	7¼	5	6	6	12¾	5	5½
2½	3	112	8¼	2	7¾	8¾	8¾	5½	6½	N/A	12¾	5	5½
3	4	9	7½	2½	6½	6¾	7½	5½	6½	6½	14½	6	6½
3	4	11	9	2¾	7	7¾	8¾	5½	6½	N/A	15¼	6	6½
3	4	12	8½	2½	7¾	8¾	8¾	5½	6½	6½	14½	6	6½
4	4	7	6½	2½	5½	6¾	7¾	5½	6½	6½	14¾	6	6½
4	5	9A	7¼	3½	5¾	6¾	7¾	5¼	6¼	6¼	17¾	6½	7½
4	5	9B	7¾	2½	6¾	8¾	8¾	5¾	6¾	N/A	16½	6½	7½
4	5	11	9	3	7¼	7¾	8¾	5¾	6¾	6¾	17	6½	7½
4	5	12	8¾	2½	7¾	8¾	9¾	N/A	6¾	6¾	16½	6½	7½
5	6	11	9	3½	8¾	8¾	10½	6	7	7	18½	7	8
5	6	12	9	2¾	8¾	9¼	10½	N/A	7	7	17¾	7	8
6	6	9	8¼	2¾	7	8	9	5½	6½	6½	18¼	7	8
6	6	11	9¼	3½	8¾	9¾	10¾	N/A	7¼	7¼	18¼	7	8
6	6	11A	9¼	3½	8¾	9¾	10¾	N/A	7¼	7¼	18¼	7	8
6	6	12B	9¼	3½	8¾	9¾	10¾	N/A	7¼	7¼	18¼	7	8
6	8	15	18	6	—	10¾	14½	N/A	N/A	N/A	N/A	N/A	N/A
8	10	15	19	6	—	11	14½	N/A	N/A	N/A	N/A	N/A	N/A



342A



344A



340 PUMP CROSS SECTION  
6x6x12

COMMERCIAL

AUTOMATION

FILTERS

VALVES

PUMPS

HEATERS &  
HEAT PUMPS

LIGHTING

CLEANERS

WATER  
FEATURES

CHEMICAL  
CONTROLLERS  
& SANITIZERS

WHITE  
GOODS

MAINTENANCE  
& SAFETY

LIFTS & DECK  
EQUIPMENT

SPA

# AURORA® 340 SERIES AND 410 SERIES

END SUCTION AND SPLIT CASE PUMPS

COMMERCIAL



341A



342A



344A

## FEATURED HIGHLIGHTS

- Multiple configurations available
- Models to 100 ft. TDH
- Compatible with Acu Drive™ XS VF Drive
- Cast Iron Bronze Fitted Models
- Flooded Suction applications
- Highly reliable performance
- NSF approved models available
- Various flow capabilities for all applications
- Epoxy Coating option available
- ODP and TEFC motors in Standard and Premium efficiency available
- PS Series In-line Strainers match up to most Aurora pumps.

Pentair now offers the Aurora 340 Series End Suction and the 410 Series Split Case Pumps for commercial pools, spas, and other water applications. The 340 and 410 Series are available in horizontal and vertical configurations in horsepower's to 150 and flows to 8,000 GPM.

## ORDERING INFORMATION

Pump	Power	RPM	HP Range
<b>341 A Series; Closed-Coupled End Suction W/ Epoxy Coated Casing. Tefc/Odp Motor Options, 3Ph, 1800 Rpm</b>			
2.5 X 3 X 9	3 PH	1800	7.5HP-10HP
3 X 4 X 9B	3 PH	1800	15HP-20HP
4 X 5 X 9A	3 PH	1800	7.5HP-10HP
4 X 5 X 9A	3 PH	1800	15HP-20HP
4 X 5 X 9B	3 PH	1800	7.5HP-10HP
4 X 5 X 9B	3 PH	1800	15HP-20HP

Pump	Power	RPM	HP Range
<b>341 A Series; Closed-Coupled End Suction W/ Epoxy Coated Casing. Tefc/Odp Motor Options, 3Ph, 1800 Rpm</b>			
6 X 6 X 9	3 PH	1800	7.5HP-10HP
6 X 6 X 9	3 PH	1800	15HP-20HP
5 X 6 X 11	3 PH	1800	15HP-20HP
5 X 6 X 11	3 PH	1800	25HP-30HP
6 X 6 X 11	3 PH	1800	15HP-20HP
6 X 6 X 11	3 PH	1800	25HP-30HP

230/460V and 575V motors available.

Product	Description	Carton Wt. (Lbs.)
<b>Aurora Pump Accessories Flange Assembly Kits</b>		
357259	Flange 2-1/2 in. w/ gasket and SS hardware <sup>1</sup>	16
357260	Flange 5 in. w/ gasket and SS hardware <sup>1</sup>	22
357261	Flange 3 in. w/ gasket and SS hardware <sup>1</sup>	18
357262	Flange 4 in. w/ gasket and SS hardware <sup>1</sup>	20
357263	Flange 6 in. w/ gasket and SS hardware <sup>1</sup>	23

<sup>1</sup> Thermoplastic PVC socket style.

**Please contact our factory (1-800-831-7133) for other pump models, applications sizing, pricing, and availability or email [PoolApplicationRFQ@pentair.com](mailto:PoolApplicationRFQ@pentair.com).**

# BERKELEY® B-SERIES

CENTRIFUGAL COMMERCIAL PUMPS



Berkeley B-Series

## FEATURED HIGHLIGHTS

Where a large volume of water is needed, in flooded suction applications, Berkeley brand pumps can accommodate almost any water-moving needs. Berkeley brand pumps have been one of the top names in the water systems for decades. Once recognized for only being affiliated with irrigation and water systems, Berkeley pumps are now available in many configurations to be used in the following applications:

- Water features
- Water parks
- Aquaculture
- Commercial pools and spas

The pumps pictured above and included in the chart below show just a small sampling of the many pump sizes and designs that are available. In addition, we offer a wide range of gpm/head configurations; 1200, 1750, or 3450 rpm motors; 50 or 60 Hz; optional high-efficiency motors; voltage, horsepower, and service factor options; lead-free bronze impellers; flange or threaded connection in many sizes; and packing or mechanical shaft seal design pumps. Flooded suction required. For a complete selection guide to help you size the pump(s) that best fit your needs, call our customer service at 1-800-831-7133, or use the convenient Berkeley Electronic Catalog (BEC) located at [www.berkeleypumps.com](http://www.berkeleypumps.com); or email [PoolApplicationRFQ@pentair.com](mailto:PoolApplicationRFQ@pentair.com)

- **Berkeley Pumps are not NSF approved.**

## ORDERING INFORMATION

### CALL FOR QUOTE

Product	General Pump Design Model	HP	Best Operating Performance G.P.M.	Connection at X ft. of Head	RPM	Flange (inches)
B71943S	B3ZPMS	5 HP	350	40	1800	3 x 4
B71945S	B3ZPMS	7.5 HP	400	53	1800	3 x 4
B71947S	B3ZPMS	10 HP	500	60	1800	3 x 4
B71949S	B3ZPMS	15 HP	600	63	1800	3 x 4
B76775	B5EPHS	20 HP	950	60	1800	5 x 6
B76776	B5EPHS	25 HP	1050	65	1800	5 x 6
B75861	B4GPBHS	30 HP	1100	85	1800	4 x 6
B74945	B6JPBMS	40 HP	1500	80	1800	6 x 8
B76786	B8GPBMS	50 HP	2700	50	1800	8 x 10

Options: The above pumps have silicon bronze impellers, flanged connections, close-coupled, open drip-proof motors, and mechanical shaft seals. As mentioned in the text at the top of the page, many options are available. Please call our Customer Service at 800-831-7133 or try using the convenient "BEC" system at [www.berkeleypumps.com](http://www.berkeleypumps.com).

COMMERCIAL

AUTOMATION

FILTERS

VALVES

PUMPS

HEATERS & HEAT PUMPS

LIGHTING

CLEANERS

WATER FEATURES

CHEMICAL CONTROLLERS & SANITIZERS

WHITE GOODS

MAINTENANCE & SAFETY

LIFTS & DECK EQUIPMENT

SPA

# PS SERIES™

## IN-LINE STRAINER FOR COMMERCIAL PUMPS

COMMERCIAL



New **PS Series™ In-line Strainers** from Pentair Commercial Pool and Aquatics™ are designed for ease of installation and hydraulic efficiencies in commercial aquatics applications. In three standard sizes and with the addition of eccentric reducers, PS Series strainers fit with almost any plumbing configuration. The design of the PS Series accommodates the high-flow performance in a variety of applications. ANSI flange bolt pattern allows for ease of installation and peace of mind.

### FEATURED HIGHLIGHTS

- Superior design for hydraulic performance.
- Clear lid with easy access allows for simple visibility of debris.
- Extra-large stainless steel strainer basket.
- 150 psi rating.
- NSF listed.
- The strainer shall consist of a nonmetallic fiberglass-reinforced plastic body, a clear cover that extends over the entire top, an O-ring seal, manually capable (no tools required) stainless steel/plastic screw fasteners, and a stainless steel basket.
- The strainer body shall be able to be fitted with PVC plastic piping connections. These connections shall be capable of accommodating Van Stone Flanges™, concentric reducers, and non-concentric reducers. The strainer shall have a removable drain for winterizing and a pressure relief valve set at 50 psi.
- The strainer pipe sizes and basket characteristics shall meet and be listed to NSF/ANSI Standard 50.

### ORDERING INFORMATION

Product	Description	Flange Size		Typical Max. Flow (GPM)	A (inches)	B (inches)	B (inches)
		Inlet (suction)	Outlet (pump)				

#### PS Series 6 inch Suction

PS6X6	Straight	6 in.	6 in.	540	13-5/8 in.	25-1/2 in.	23-5/8 in.
PS6X5E	Eccentric Reducing	6 in.	5 in.	540	13-5/8 in.	25-1/2 in.	35-1/4 in.
PS6x4E	Eccentric Reducing	6 in.	4 in.	540	13-5/8 in.	25-1/2 in.	32-7/8 in.
PS6X3E	Eccentric Reducing	6 in.	3 in.	540	13-5/8 in.	25-1/2 in.	38 in.

#### PS Series 8 inch Suction

PS8X8	Straight	8 in.	8 in.	930	13-5/8 in.	25-1/2 in.	23-3/8 in.
PS8X6E	Eccentric Reducing	8 in.	6 in.	930	13-5/8 in.	25-1/2 in.	35-7/8 in.
PS8X5E	Eccentric Reducing	8 in.	5 in.	930	13-5/8 in.	25-1/2 in.	43-1/2 in.
PS8X4E	Eccentric Reducing	8 in.	4 in.	930	13-5/8 in.	25-1/2 in.	41-1/4 in.

#### PS Series 10 inch Suction

PS10X10	Straight	10 in.	10 in.	1470	20-5/8 in.	32-1/2 in.	24-1/2 in.
PS10X8E	Eccentric Reducing	10 in.	8 in.	1470	20-5/8 in.	32-1/2 in.	38-3/4 in.
PS10X6E	Eccentric Reducing	10 in.	6 in.	1470	20-5/8 in.	32-1/2 in.	47 in.
PS10X5E	Eccentric Reducing	10 in.	5 in.	1470	20-5/8 in.	32-1/2 in.	54-1/2 in.

# PS SERIES™ (CONT'D)

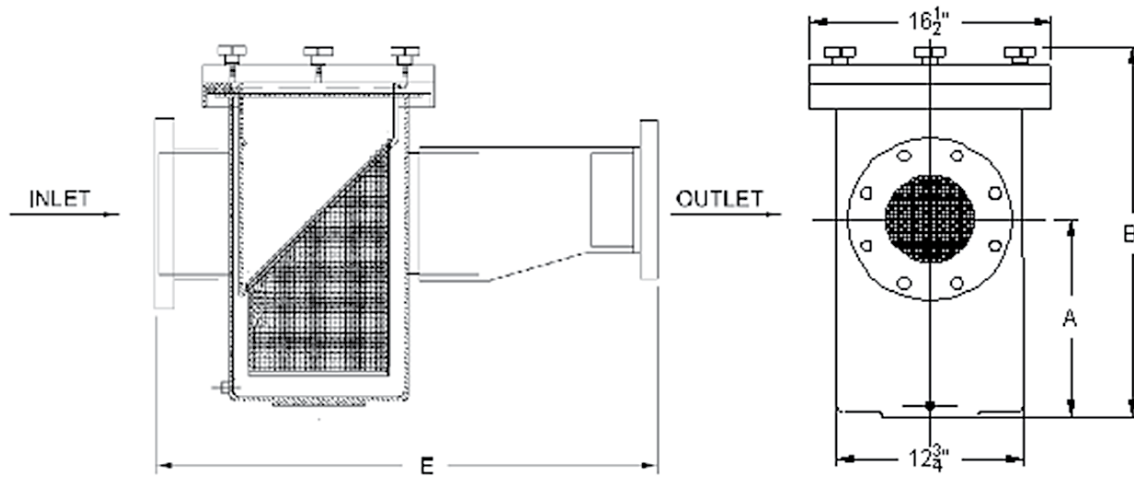
## IN-LINE STRAINER FOR COMMERCIAL PUMPS

Model	PS6	PS8	PS10
-------	-----	-----	------

### PS Series™ In-Line Strainer

<b>Inlet Pipe Size</b>	6 in. (DIN 150)	8 in. (DIN 200)	10 in. (DIN 250)
<b>Maximum Pressure</b>	50 psi (345 kPa)	50 psi (345 kPa)	50 psi (345 kPa)
<b>Maximum Temperature</b>	125° F (50° C)	125° F (50° C)	125° F (50° C)
<b>Maximum Flow Rate</b>	540 GPM (2040 LPM)	930 GPM (3520 LPM)	1470 GPM (5560 LPM)
<b>Basket Open Area</b>	224 sq. in. (1445 sq. cm)	224 sq. in. (1445 sq. cm)	335 sq. in. (2161 sq. cm)
<b>Cover Material</b>	Clear Acrylic	Clear Acrylic	Clear Acrylic
<b>Basket Material</b>	Stainless Steel	Stainless Steel	Stainless Steel
<b>Body Material</b>	Engineered Fiberglass	Engineered Fiberglass	Engineered Fiberglass

### DIMENSIONS AND PERFORMANCE



1. Select inlet size based on size of suction pipe.  
Use chart above to determine Typical Max.  
Flow in pipe size based on flow velocity of 6 fps.
2. Select strainer outlet size to match pump inlet  
where practical.
3. Also available with custom flange sizes.  
Call factory for more information.

Strainer Size	"OD"	"A"	"B"	"C"
6	12.8	13.6	25.5	22.8
8	12.8	13.6	25.5	22.8
10	12.8	20.6	32.5	22.8

COMMERCIAL

AUTOMATION

FILTERS

VALVES

PUMPS

HEATERS &  
HEAT PUMPS

LIGHTING

CLEANERS

WATER  
FEATURES

CHEMICAL  
CONTROLLERS  
& SANITIZERS

WHITE  
GOODS

MAINTENANCE  
& SAFETY

LIFTS & DECK  
EQUIPMENT

SPA

# HAIR AND LINT STRAINER PACKAGES



PKG 76



PKG 98 - 8 in.



PKG 184 - 8 in.



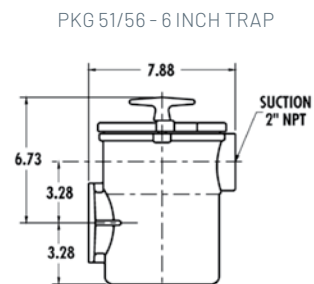
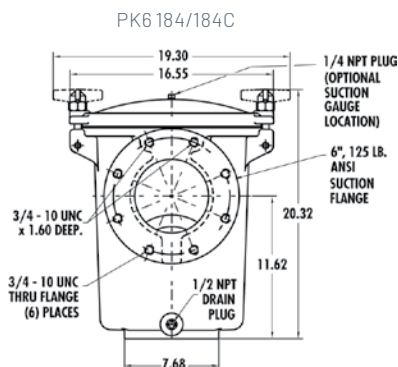
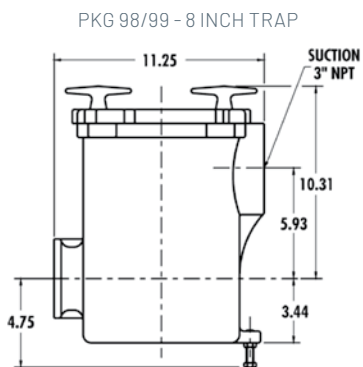
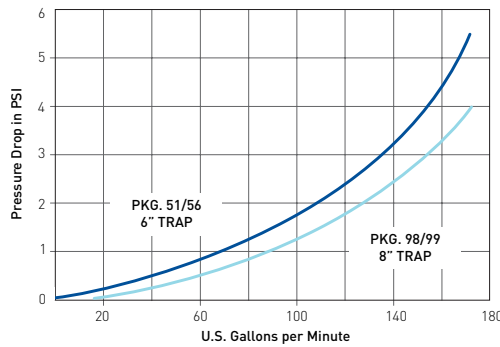
PKG 51 - 5 in. OR 6 in.

COMMERCIAL

## ORDERING INFORMATION

Product	Description	Suction Port Size	Carton Wt. (Lbs.)
<b>Hair and Lint Strainer Packages</b>			
PKG 115	5 in. Trap with Basket (For Dura-Glas, Max-E-Glas and JWP Pumps)	1-1/2 in. NPT	5
PKG 51	6 in. Cast Iron Trap with Basket (For C, CC, and D Series Pumps)	2 in. NPT	20
PKG 56	6 in. Bronze Trap with Basket (For C, CC, and D Series Pumps)	2 in. NPT	20
PKG 98	8 in. Cast Iron Trap with Basket (For C, CC, and D Series Pumps)	3 in. NPT	40
PKG 99	8 in. Bronze Trap with Basket (For C, CC, and D Series Pumps)	3 in. NPT	40
PKG 76	Cast Iron Flange for Remote Trap Install	3 in. NPT	4
PKG 161	6 in. PPO Resin Strainer (For P2R, PE Series, Dura-Glas and Max-E-Glas Pumps)	2 in. NPT	6
PKG 184	CSP Series Hair and Lint Strainer (1100 cu. in. capacity)	6 in. ANSI Flange	180
PKG 184C	CCSP Series Hair and Lint Strainer - Coated (1100 cu. in. capacity)	6 in. ANSI Flange	180
PKG 73	3 in. Suction Flange (For C, CC, and D Series Pumps)		
PKG 72	2.5 in. Suction Flange (For C, CC, and D Series Pumps)		
PKG 52	1.5 in. Suction Flange (For C, CC, and D Series Pumps)		
PKG 53	1.5 in. Suction Flange (For C, CC, and D Series Pumps)		

## DIMENSIONS AND PERFORMANCE





# COMMERCIAL ACU DRIVE™ XS

VARIABLE FREQUENCY DRIVE



## FEATURED HIGHLIGHTS

The Acu Drive XS VFD drive offers built-in intelligence for increased performance in all aquatic pump applications. Specified to save energy, space, costs and time, the Acu Drive XS VFD drive is built to be the heart of the pump room. With minimal payback time due to energy savings, the Acu Drive XS VFD drive is equipped with a feature that continuously displays the time remaining until the drive pays for itself. Built with powerful standard and optional features specifically designed for energy optimization, the Acu Drive XS VFD drive is perfectly matched with the full line of pumps by Pentair Commercial Aquatics™.

- High efficiency up to 98%
- Automatic energy optimization
- Built-in DC-link reactors for harmonic suppression—no need for external AC input line reactors
- Integrated disconnects and fusing
- Sensorless control
- Dry-pump and end-of-curve detection
- Two-step ramps (initial ramp)
- Real-time clock
- Overload trip protection
- Outdoor-rated enclosures
- One drive type for the full power range
- Single Phase input - Three Phase output; Three Phase input - Three Phase output drives available

COMMERCIAL

AUTOMATION

FILTERS

VALVES

PUMPS

HEATERS &  
HEAT PUMPS

LIGHTING

CLEANERS

WATER  
FEATURES

CHEMICAL  
CONTROLLERS  
& SANITIZERS

WHITE  
GOODS

MAINTENANCE  
& SAFETY

LIFTS & DECK  
EQUIPMENT

SPA



### User-friendly display

#### Graphical Display

- Informative overview
- Six lines of display
- Graphical or numerical display of information
- Readout in user-selectable engineering units
- Select from up to 27 languages
- Backlit for increase visibility

#### Quick Menus

- User-personalized Quick Menu
- Changes Made Menu displays the parameters to which changes have been made
- Function Setup Menu provides quick set-up for specific applications
- Logging Menu provides access to operation history

#### Illumination

- Illuminated LED lights indicate which function is active

#### Menu Structure

- Based on the field-proven matrix system used in previous series drives
- Menu shortcuts access specific functions
- Edit and operate in different setups simultaneously

#### Additional Buttons

- Info: an "onboard manual" that provides specific information about each parameter
- Cancel: exits the current parameter without saving changes
- Alarm log: easy access to a list of all previous alarm conditions

# COMMERCIAL ACU DRIVE™ XS

## VARIABLE FREQUENCY DRIVE

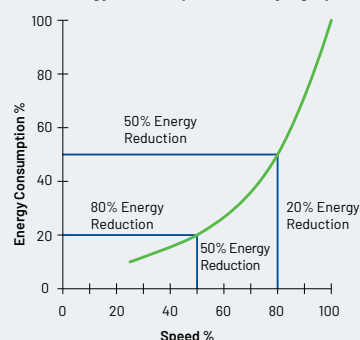
COMMERCIAL

### Modular Design

- Cooling concept improves efficiency
- Reduces contaminants in electronics
- Fieldbus options(A-options) Select any common fieldbus protocols
- Local Control Panel (LCP) Six-line graphical LCP display
- Up to 6 digital inputs
- Two 0-10 analog inputs
- 24V supply option (D-option)
- Conformally coated PCBs (optional) Durable in aggressive environments
- AC main disconnect (optional)
- Every Acu Drive XS, regardless of horse power size, has the same user interface and basic features
- Every Acu Drive XS is produced and factory tested with a load connected, as a complete assembly
- Built in DC-link reactors reduce harmonic noise and protect the drive. Integrated EMC filters are also available to minimize RFI interference (meets EN55011 A2, A1 or B)
- Energy savings using an Acu Drive XS are achieved with even a modest reduction in speed



Ideal Energy Consumption at Varying Speed



### Acu Drive XS Specification

- Main supply (L1, L2, L3):
  - Supply voltage 200-240V±10%
  - Supply voltage 380-480V±10%
  - Supply voltage 525-690V±10%
  - Supply frequency 50/60Hz
- Digital Inputs:
 

Programmable digital inputs (standard)	6
Additional digital inputs with MCB101	2
- Output data (U, V, W)
 

Output voltage	0-100% supply
Output frequency	0-120Hz
Rated motor frequency	50/60Hz
Ramp times	1-3600 sec.

### The AcuDrive XS helps maximize system reliability with built-in protection against:

- System overloads
- Motor failures
- Motor and drive overheating
- Voltage disturbances
- Power surges
- Loss of phase
- Phase-to-phase and phase-to-ground
- Short circuit
- Ground fault
- Switching on input/output
- Electrical disturbances
- Over-voltage
- Over-current
- Under-voltage
- External fault
- Over-temperature

# COMMERCIAL ACU DRIVE™ XS

VARIABLE FREQUENCY DRIVE

## INTELLIGENCE DRIVEN INCREASE PERFORMANCE MAXIMUM PERFORMANCE & SYSTEM PROTECTION

### Minimize motor noise and heating with ASFM

- With the ASFM (Adjustable Switching Frequency Modulation) function, the switching frequency is adjusted automatically in relation to the speed of the motor. As speed is reduced, the switching frequency increases to ensure optimally low noise and reduce motor heating
- Input line protection from extreme running conditions

### Short circuit

- The AcuDrive XS is protected against short circuits by measuring the current in each of the three motor phases. A short circuit between two output phases will shut down the drive as soon as the current exceeds the maximum value

### Line disturbances and transients

- To protect itself from AC line voltage disturbances, the drive monitors all three phases and interrupts drive operation in the event of phase loss or imbalance

### Voltage sags and surges

- The Acu Drive XS is designed for a wide range of operating conditions. The 480 volt drive will operate from 342-528VAC. The 230 volt drives will operate on 180-264VAC

### Maximum protection features

- Output protection for longer motor life
- Acu Drive XS incorporates both DC-link reactors or motor output protection as standard design features

### Thermal protection for the drive and motor

- The ETR (Electronic Thermal Relay) is an open loop method built into the Acu Drive XS software to guard against motor overheating, requiring no additional sensors or wiring
- This function is UL recognized (Class 20) as an effective guard against motor thermal overload

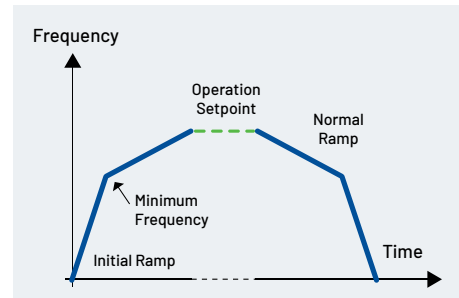
The Acu Drive XS has built-in thermal protection and also accepts thermistor signal input from the motor to create closed loop thermal protection for the entire system.

### Initial final ramp

Initial ramp provides rapid acceleration of pumps to a desired minimum speed, at which time the normal ramp takes over.

This prevents damage to thrust bearings and overheating of the pump.

The final ramp decelerates pumps to avoid unintended closure of check valves and water hammer.



### Compatible with Pentair pumps and any three-phase pump model



Aurora 342A Pump

CSP Pump



Aurora 341A Pump

Pentair EQ Series Pump



C Series  
Commercial  
Bronze Pump

COMMERCIAL

AUTOMATION

FILTERS

VALVES

PUMPS

HEATERS &  
HEAT PUMPS

LIGHTING

CLEANERS

WATER  
FEATURES

CHEMICAL  
CONTROLLERS  
& SANITIZERS

WHITE  
GOODS

MAINTENANCE  
& SAFETY

LIFTS & DECK  
EQUIPMENT

SPA





# HEATERS & HEAT PUMPS



# EASYLINE HEAT PUMP

## SWIMMING POOL HEAT PUMP



### FEATURED HIGHLIGHTS

- Easy Control
- Double Refrigerants R32 & R410A
- Cost Effective with a COP of up to 5.0 the units save energy and maintain cost-effective for users

### ORDERING INFORMATION

Model Number	PASRW010-P-AI	PASRW015-P-AI	PASRW020-P-AI	PASRW030-P-AI	PASRW035-P-AI
Operating air temperature (°C)	-7~43 °C				
<b>Performance Condition (Air 27 °C/Water 26 °C/Humid. 80%)</b>					
Heating Capacity(kW)	3.40	5.00	8.00	11.00	12.30
Heating Capacity(Btu)	11560	17000	27200	37400	41820
Consumed power (kW)	0.66	0.96	1.55	2.16	2.33
COP	5.15	5.20	5.16	5.10	5.28
<b>Heating Capacity (Air 24 °C/Water 26 °C/Humid.62 %)</b>					
Heating Capacity(kW)	2.90	4.37	7.00	9.50	10.50
Heating Capacity(Btu)	9860	14858	23800	32300	35700
Consumed power (kW)	0.60	0.91	1.45	2.00	2.24
COP	4.83	4.80	4.83	4.75	4.68
<b>Heating Capacity (Air 24 °C/Water 26 °C/Humid.62 %)</b>					
Heating Capacity(kW)	2.60	3.40	5.20	7.60	8.40
Heating Capacity(Btu)	8840	11560	17680	25840	28560
Consumed power (kW)	0.77	0.90	1.33	1.97	2.27
COP	3.40	3.78	3.90	3.85	3.70
Power Supply	220~240V~/1Ph~				
Fan Speed (RPM)	870				
Sound Pressure 1m dB(A)	49	51	53	54	55
Water Connection (mm)	50				
Net Dimensions L/W/H (mm)	805×300×545			850×320×700	
Refrigerant	R410A/R32				

# I-FORCELINE MAX INVERTOR HEAT PUMP

INVERTER SWIMMING POOL HEAT PUMP



## FEATURED HIGHLIGHTS

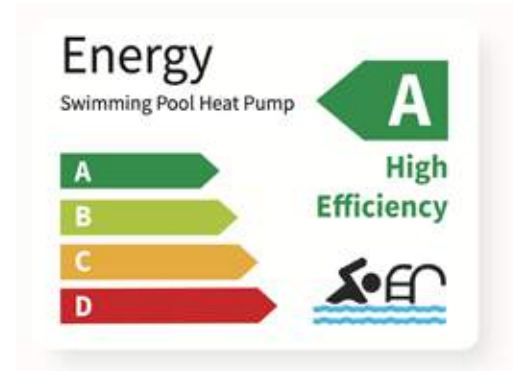
- Full DC Inverter Technology
- 28dB(A) Low Noise at 10m Distance
- Smart App Remote Control
- Soft Starter
- Sliding Defrost Technology

## Full DC Inverter Technology

Pentair full DC inverter technology enables the heat pump to adjust its strength from 10% to 90% according to the requirements.

## 28dB (A) Low Noise at 10m Distance

Pentair i-ForceLine Max Pool Heat Pump is specially designed with a silence mode to create a comfortable living environment at night for users. Under silence mode, the heat pump is running at 28dB (A) low noise.



## Smart App Remote Control

On a business trip or a holiday travel? Set and check your pool temperature via the app in your smart phone. The pool temperature is just at your fingertips.



# I-FORCELINE MAX INVERTOR HEAT PUMP

INVERTER SWIMMING POOL HEAT PUMP

## ORDERING INFORMATION

Model Number	PASRW030-U-P-BP4	PASRW040-U-P-BP4	PASRW050-U-P-BP4	PASRW050S-U-P-BP4	
Operating air temperature (°C)					
<b>Performance Condition (Air 27 °C/Water 26 °C/Humid. 80%)</b>					
Heating Capacity (kW)	2.8~12	3.9~17.1	4.9~21.0	5.1~21.6	
Heating Capacity (Btu)	9520~40800	13300~58200	16660~71400	17340~73440	
Consumed power (kW)	0.23~2.12	0.31~3.05	0.43~4.08	0.43~4.29	
COP	5.66~12.17	5.61~12.58	5.15~11.4	5.03~11.86	
<b>Heating Capacity (Air 15 °C/Water 26 °C/Humid. 70%)</b>					
Heating Capacity (kW)	2.2~9.7	2.9~12.2	3.8~16.2	3.9~16.3	
Heating Capacity (Btu)	7480~32980	9860~41500	12920~55080	13090~55420	
Consumed power (kW)	0.33~2.08	0.42~2.86	0.57~3.86	0.59~3.82	
COP	4.66~6.67	4.27~6.9	4.2~6.67	4.27~6.53	
<b>Heating Capacity (Air 10 °C/Water 26 °C/Humid. 64%)</b>					
Heating Capacity (kW)	1.9~8.0	2.6~10.8	3.4~14.1	3.5~14.0	
Heating Capacity (Btu)	6460~27200	8840~36700	11696~47940	11798~47600	
Consumed power (kW)	0.33~1.95	0.45~2.64	0.62~3.52	0.62~3.59	
COP	4.10~5.76	4.1~5.78	4.01~5.55	3.90~5.60	
Power Supply	230V/1P/50Hz	230V/1P/50Hz	230V/1P/50Hz	380V/3P/50Hz	
Casing type					
Breaker size (amp)	30	30	40	20	
Amps (A)	10	13	17.9	6.97	
Refrigerant					
Compressor Quantity					
Compressor Type					
Fan Quantity					
Fan Direction					
Fan Power Input (W)	200	200	200	200	
Fan Speed (RPM)	500-750	500-750	500-750	500-750	
Sound Pressure 1m dB (A)	44-54	46-56	48-58	48-58	
Sound Pressure in silence mode 1m dB (A)	44	46	48	48	
Sound Pressure 10m dB (A)	24-34	26-36	28-38	28-38	
Sound Pressure in silence mode 10m dB (A)	24	26	28	28	
Water Connection (mm)					
Water Flow Volume (m3/h)	4.2	5.5	6.8	7.1	
Water Pressure Drop (max) kPa	4.5	4.5	3.3	3.3	
Net Dimensions (L/W/H)(mm)	723×835×865	723×835×865	770×990×970	770×990×970	
Shipping Dimensions (L/W/H)(mm)	773×885×915	773×885×915	820×1040×1000	820×1040×1000	



# I-FORCELINE MAX INVERTOR HEAT PUMP

## INVERTER SWIMMING POOL HEAT PUMP

	PASRW060-U-P-BP4	PASRW060S-U-P-BP4	PASRW070-U-P-BP4	PASRW070S-U-P-BP4	PASRW080S-U-P-BP4
(-15~43)					
	5.9~24.6	5.8~24.4	6.7~28.6	7.0~29.5	8.2~34.7
	20060~83460	19720~82960	22780~97240	23800~100300	27880~117980
	0.47~4.94	0.47~4.65	0.53~5.4	0.55~5.6	0.66~6.9
	4.98~12.55	5.25~12.34	5.3~12.64	5.27~12.7	5.03~12.42
	4.8~18.4	4.5~19.0	5.5~23.4	5.8~24.6	6.5~27.7
	16252~62560	15198~64600	18700~79560	19652~83640	22100~94180
	0.73~4.64	0.68~4.39	0.82~5.4	0.99~4.53	0.97~6.46
	3.96~6.55	4.33~6.57	4.33~6.71	4.53~5.84	4.29~6.7
	4.3~18.2	4.0~17.0	4.9~20.9	4.9~20.9	6.1~25.9
	14552~61880	13600~57800	16660~71060	16660~71060	20740~88060
	0.74~4.35	0.70~4.10	0.86~5.05	0.84~4.93	1.07~6.32
	4.18~5.78	4.15~5.71	4.14~5.7	4.24~5.83	4.1~5.7
	230V/1P/50Hz	380V/3P/50Hz	230V/1P/50Hz	380V/3P/50Hz	380V/3P/50Hz
ABS					
	50	20	60	30	30
	20.8	7.77	26.2	9.29	10.96
R32					
1					
Rotary / inverter					
1					
Vertical					
	200	200	200	200	200
	600-800	600-800	600-800	600-800	350-750
	50-60	50-60	53-62	53-62	55-65
	50	50	53	53	55
	30-40	30-40	33-43	33-43	35-45
	30	30	33	33	35
50					
	8.3	8.1	9.5	9.8	11.5
	6	6	11		
	770×990×970	770×990×970	920×960×1025	920×960×1025	920×960×1025
	820×1040×1000	820×1040×1000	970×1010×1075	970×1010×1075	970×1010×1075

AUTOMATION

FILTERS

VALVES

PUMPS

HEATERS & HEAT PUMPS

LIGHTING

CLEANERS

WATER FEATURES

CHEMICAL CONTROLLERS & SANITIZERS

WHITE GOODS

MAINTENANCE & SAFETY

LIFTS & DECK EQUIPMENT

SPA

# I-FORCELINE INVERTOR HEAT PUMP

FULL INVERTER SWIMMING POOL HEAT PUMP



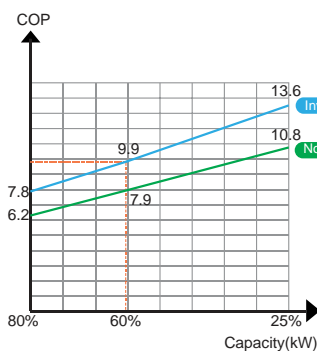
## FEATURED HIGHLIGHTS

- R32 Refrigerant
- Save Energy and Speed up Heating Time
- Full DC Inverter Technology
- Stepless control
- Stay Silent and Peaceful
- 5-inch Colorful Touch Screen
- Multiple Smart Display For Option
- Smart PCB

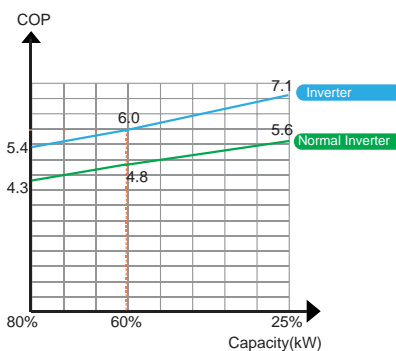
Featured with mature Inverter technology, i-ForceLine X Full Inverter Swimming Pool Heat Pump achieves an extremely high COP compared with normal heat pumps in the market. Besides, its heating speed is much faster, which greatly saves energy and enables you to enjoy swimming without waiting for a long time.

## Maintain High COP in Different Ambient Conditions

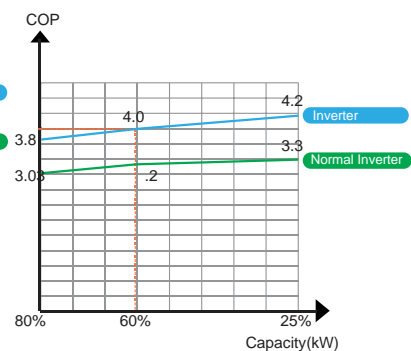
No matter it's cold or warm outside, i-ForceLine X can always keep high COP.



**Performance condition:**  
Air 27°C/Water 26°C/  
Humidity 80%



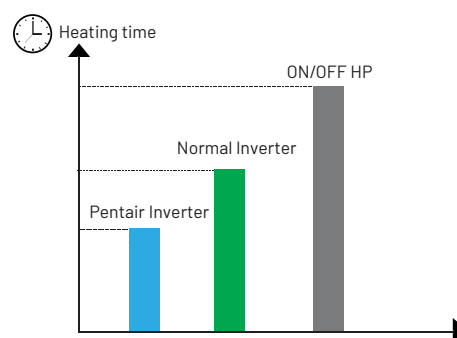
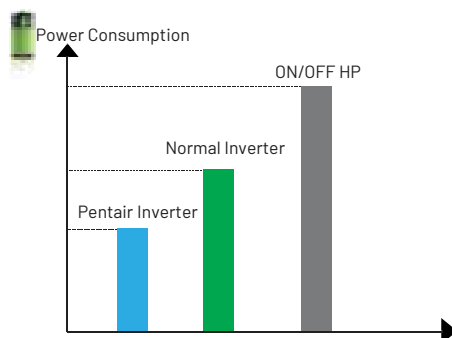
**Performance condition:**  
Air 15°C/Water 26°C/  
Humidity 70%



**Performance condition:**  
Air 2°C/Water 26°C/  
Humidity 80%

## Save Energy and Speed up Heating Time

With short heating time, users don't need to wait for a long time before enjoying swimming. In the meanwhile, it saves more energy than ON/OFF heat pump and normal inverter heat pump.

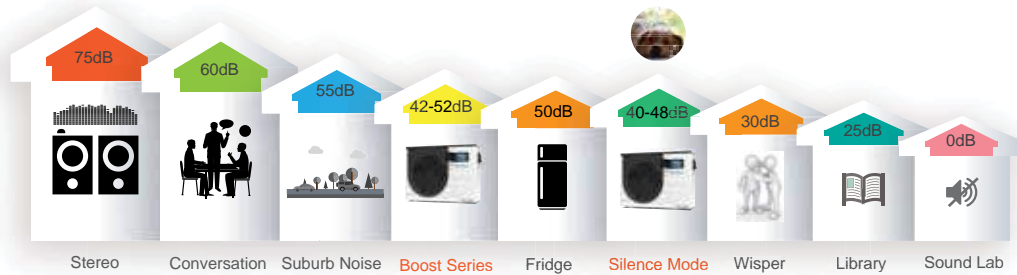


# I-FORCELINE INVERTOR HEAT PUMP

FULL INVERTER SWIMMING POOL HEAT PUMP

## Stay Silent and Peaceful

i-ForceLine X inverter heat pump works very silently thanks to its unique ventilation internal system. Pentair specially provides a silence mode to make sure a peaceful life for you as well as your neighbor.



## 5-inch Colorful Touch Screen

Unlike normal inverter pool heater, Pentair Inverter has a high-end controller with 5-inch colorful touch screen. Temperature and power consumption curve makes users always be clear of the energy use situation.



## Smart PCB

Smart PCB in the heat pump manages the parts and functions of the unit to work in order, making inverter stronger.



# I-FORCELINE INVERTOR HEAT PUMP

## FULL INVERTER SWIMMING POOL HEAT PUMP

### ORDERING INFORMATION

Model	020-BP	030-BP	040-BP	050-BP	060-BP	070-BP	050S-BP	060S-BP	070S-BP
Advised Pool Volume (m³)	50-25	60-30	75-40	95-50	120-65	169-90	95-50	120-65	169-90

Operating Air Temperature (°C): -43~15

Performance Condition: Air 27°C/Water 26°C/Humidity %80

Heating Capacity(kW)	9~2.15	12~2.85	17~3.77	19.5~4.6	24.2~5.7	28.3~6.7	19.5~4.6	24.2~5.7	28.3~6.7
Heating Capacity(Btu)	30600~7310	40800~9690	57800~12818	66300~15640	82280~19380	96220~22780	66300~15640	82280~19380	96220~22780
Consumed Power(kW)	1.6~0.16	2.12~0.21	3.02~0.3	3.94~0.37	4.8~0.46	5.57~0.54	3.94~0.37	4.8~0.46	5.57~0.54
COP	5.63~13.44	5.66~13.57	5.63~12.57	4.95~12.43	5.04~12.39	5.08~12.41	4.95~12.43	5.04~12.39	5.08~12.41

Performance Condition: Air 15°C/Water 26°C/Humidity %70

Heating Capacity(kW)	7.4~1.75	9.7~2.25	12.4~2.92	15.4~3.84	19.9~4.68	23.3~5.46	15.4~3.84	19.9~4.68	23.3~5.46
Heating Capacity(Btu)	25160~5950	32980~7650	42160~9928	52360~13056	67660~15912	79220~18564	52360~13056	67660~15912	79220~18564
Consumed Power(kW)	1.6~0.25	2.08~0.32	2.86~0.44	3.81~0.6	4.74~0.72	5.49~0.83	3.81~0.6	4.74~0.72	5.49~0.83
COP	4.63~7	4.66~7.03	4.34~6.64	4.04~6.4	4.2~6.5	4.24~6.58	4.04~6.4	4.2~6.5	4.24~6.58

Performance Condition: Air 10°C/Water 26°C/Humidity %64

Heating Capacity (kW)	6.1~1.42	8~1.88	10.7~2.5	14.4~3.38	17.8~4.2	20.8~4.9	14.4~3.38	17.8~4.2	20.8~4.9
Heating Capacity (Btu)	20740~4828	27200~6392	36380~8500	48960~11492	60520~14280	70720~16660	48960~11492	60520~14280	70720~16660
Consumed Power (kW)	1.5~0.25	1.95~0.33	2.64~0.45	3.62~0.62	4.4~0.75	5.1~0.87	3.62~0.62	4.4~0.75	5.1~0.87
COP	4.07~5.68	4.1~5.7	4.05~5.56	3.98~5.45	4.05~5.6	4.08~5.63	3.98~5.45	4.05~5.6	4.08~5.63

Power Supply	240-220V~/1Ph						400-380V~/3Ph		
Casing Type	ABS	ABS	ABS	ABS	ABS	ABS	ABS	ABS	ABS
Compressor Quantity	1	1	1	1	1	1	1	1	1
Compressor	Rotary	Rotary	Rotary	Rotary	Rotary	Rotary	Rotary	Rotary	Rotary
Fan Quantity	1	1	1	1	2	2	1	2	2
Fan Power Input(W)	75	75	75	75	75	75	75	75	75
Fan Speed (RPM)	800-400	800-400	750-500	900-500	800-400	900-400	900-500	800-400	900-400
Fan Direction	Horizontal	Horizontal	Horizontal	Horizontal	Horizontal	Horizontal	Horizontal	Horizontal	Horizontal
Sound Pressure 1m dB(A)	50-40	52-42	53-44	56-45	57-46	58-48	56-45	57-46	58-48
Silence Mode 1m dB(A)	40	42	44	45	46	48	45	46	48
Sound Pressure 10m dB(A)	30-20	32-22	33-24	36-25	37-26	38-28	36-25	37-26	38-28
Silence Mode 10m dB(A)	20	22	24	25	26	28	25	26	28
Water Connection (mm)	50	50	50	50	50	50	50	50	50
Water Flow Volume (m³/h)	3.5	4.7	5.4	6.7	8.6	10.0	6.7	8.5	10.0
Water Pressure Drop (max.) kPa	4	4.5	5	6	11	15	6	11	15
Net Dimensions (L/W/H) (mm)	950x400x620		1100x480x870		1165x470x1275		1100x480x870	1165x470x1275	
Qty per 20ft/40ft	171/78		86/40		43/20		86/40	43/20	
Refrigerant Gas	R410A/R32								

# I-FORCELINE NEO INVERTOR HEAT PUMP

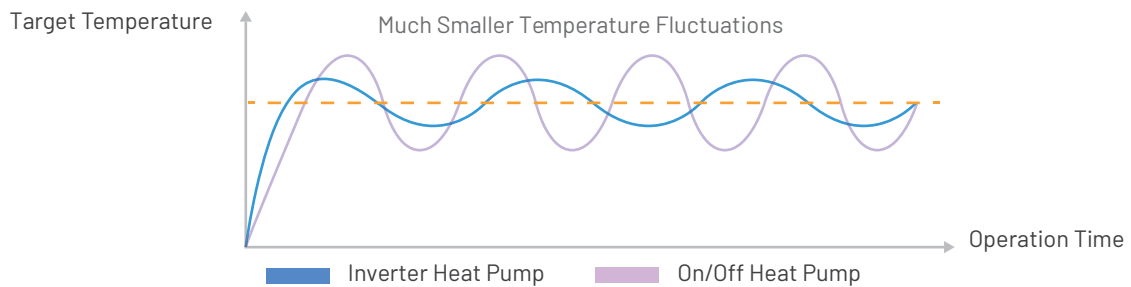
FULL INVERTER SWIMMING POOL HEAT PUMP



## FEATURED HIGHLIGHTS

- Easy Control
- Heating and cooling
- Easy maintenance
- Low Noise
- Intelligent defrosting

The application of an improved compressor and inverter technology synergies is a crucial element for the unit to be a top performer which can raise the energy efficiency and provide homeowners with greater cost-savings.



Full Inverter Tech



Low Transportation Cost



Cost - Effective



Easy Control



RS485 Connection



Easy Maintenance



Heating & Cooling



Intelligent Defrosting



Low Noise

## LinkedGo Smart Display

Pentair endeavors to provide users easy and smart control experience for heat pumps. Throughout market trial and testing year on year, the smart display family becomes Pentair core strength.



# I-FORCELINE NEO INVERTOR HEAT PUMP

## FULL INVERTER SWIMMING POOL HEAT PUMP



### Aqua Temp

Pentair provides two ways to let you get control of your heat pumps.

- Apps for Apple® and Android™ smartphones and tablets
- Webpage works on virtually any other smart device including PC



## ORDERING INFORMATION

i-ForceLine Neo		010-BP12	015-BP12	020-BP12	030-BP12	035-BP12	040-BP12	050-BP12	060-BP12	060S-BP12	070S-BP12		
Operating Air Temperature	°C	-7-43											
Refrigerant Type	/	R32											
Certification	/	CE											
Performance condition: Air 27°C/Water 26°C/Humidity 80%													
Heating Capacity	kW	2.0-5.4	2.0-7.0	2.4-9.0	2.56-11.5	3.2-13.2	4.05-15.5	4.38-18.4	4.7-24.0	9.8-24.6	7.7-28.0		
Consumed Power	kW	0.20-0.87	0.20-1.21	0.24-1.55	0.25-1.92	0.31-2.28	0.4-2.63	0.44-3.17	0.36-4.0	0.70-3.52	0.59-4.7		
COP	/	10.2-6.2	10.2-5.8	10.0-5.8	10.4-6.0	10.3-5.8	10.1-5.6	10.0-5.8	13.0-6.0	14.0-7.0	13.0-6.0		
Heating capacity: Air 15°C/Water 26°C/Humidity 70%													
Heating Capacity	kW	1.1-3.8	1.1-5.0	1.2-6.5	1.5-8.5	1.78-9.95	2.2-11.4	2.4-13.8	4.4-18.5	7.2-19.1	6.4-21.8		
Consumed Power	kW	0.18-0.88	0.18-1.25	0.2-1.57	0.24-1.97	0.29-2.26	0.35-2.59	0.39-3.07	0.61-4.02	0.94-3.60	0.88-4.74		
COP	/	6.0-4.32	6.0-4.0	6.0-4.1	6.2-4.3	6.2-4.4	6.2-4.4	6.1-4.5	7.2-4.6	7.6-5.3	7.3-4.6		
Heating capacity: Air 10°C/Water 26°C/Humidity 64%													
Heating Capacity	kW	1.3-3.5	1.3-4.6	1.56-5.9	1.66-7.5	2.15-8.75	2.63-10.0	2.84-12.0	5.0-15.6	5.7-15.6	5.7-17.8		
Consumed Power	kW	0.26-0.91	0.26-1.28	0.31-1.64	0.33-1.97	0.42-2.30	0.52-2.56	0.56-3.08	0.82-3.91	0.90-3.54	0.90-4.13		
COP	/	5.0-3.8	5.0-3.6	5.0-3.6	5.0-3.8	5.0-3.8	5.0-3.9	5.1-3.9	6.1-4.0	6.3-4.4	6.3-4.3		
Power Supply	/	220-240V~/1Ph									380V~/3Ph		
Fan Quantity	/	1											
Fan Speed	RPM	500-700	500-700	500-700	500-850	500-850	500-750	500-750	400-800	600-700	400-800		
Water Connection	mm	50											
Water Flow Volume	m3/h	2.3	3.0	4.0	4.7	5.2	6.3	7.5	10.0	10.0	12.0		
Water Pressure Drop (max)	kPa	1.8	1.8	2.8	2.7	3.0	6.0	6.0	14.0	14.0	17.0		
Sound Pressure 1m	dB(A)	38-46	38-47	38-48	38-48	39-51	40-52	42-53	44-53	47-53	47-55		
Sound Pressure 10m	dB(A)	18-30	18-31	20-32	22-33	22-34	24-35	24-36	25-46	25-46	25-47		
Net Dimensions L/W/H	mm	888×360×608					1002×453×767.5			1160×490×862			

# ON - OFF HEAT PUMP

COMMERCIAL SWIMMING POOL HEAT PUMP



## FEATURED HIGHLIGHTS

- Economic and High-Efficient
- Intelligent Defrosting
- Environmentally-Friendly
- Long Operating life
- Fashionable Casing



COMMERCIAL

AUTOMATION

FILTERS

VALVES

PUMPS

HEATERS & HEAT PUMPS

LIGHTING

CLEANERS

WATER FEATURES

CHEMICAL CONTROLLERS & SANITIZERS

WHITE GOODS

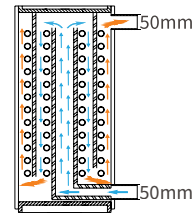
MAINTENANCE & SAFETY

LIFTS & DECK EQUIPMENT

SPA

## Dual Coil Titanium Heat Exchanger

Compared with normal single coil heat exchangers, Pentair patented dual coil titanium heat exchanger enlarges the heat exchanging surface that increases efficiency by providing an sufficient action area.



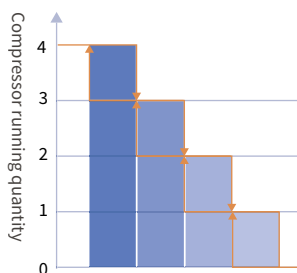
Titanium tube heat exchanger

## Electric Expansion Valve

The units automatically adjust the refrigerant flow rate, ensuring that the units operate with high efficiency in all weather conditions.

## Fin Heat Exchanger

Highly customizable, at least three kinds of fin heat exchangers can be opted, including the golden fin heat exchanger, blue fin heat exchanger, hydrophilic fin heat exchanger.



## Compressor

Compressor with precise energy stage settings ensures the working unit to achieve the desired energy saving effect.

# ON - OFF HEAT PUMP (R410A)

## COMMERCIAL SWIMMING POOL HEAT PUMP



COMMERCIAL

### ORDERING INFORMATION

PART NUMBER	PASRW020-U	PASRW030-U	PASRW050-U	PASRW060S-V	
Operating air temperature(°C)					
<b>Performance Condition (Air 24 °C/Water 26 °C/Humid. 62.8%)</b>					
Heating Capacity (kW)	9.19	13.8	17	26	
Consumed power (kW)	1.98	2.95	4.69	4.91	
COP	4.65	4.68	4.69	5.3	
<b>Heating Capacity (Air 15°C/Water 26°C/Humid. 70.9%)</b>					
Heating Capacity(kW)	7.61	12.30	19.08	21.10	
Consumed power (kW)	1.99	2.95	4.66	4.69	
COP	3.83	4.17	4.09	4.50	
<b>Heating Capacity (Air 7 °C/Water 26 °C/Humid. 86.9%)</b>					
Heating Capacity(kW)	6.20	11.10	15.74	18.20	
Consumed power (kW)	1.96	2.93	4.46	5.00	
COP	3.17	3.79	3.54	3.64	
<b>Cooling Capacity (Air 35 °C/Water 30 °C/Humid. 60%)</b>					
Cooling Capacity(kW)	6.15	9.3	12.96	10.892	
Consumed power (kW)	1.87	2.6	5.01	5.245	
EER	3.29	3.57	2.59	2.08	
<b>Cooling Capacity (Air 43 °C/Water 30 °C/Humid. 70%)</b>					
Cooling Capacity(kW)	4.63	8.02	10.64	8.34	
Consumed power (kW)	2.15	2.94	5.73	4.48	
EER	2.15	2.73	1.86	1.72	
Power Supply	230V/1/50HZ R410A				
Heat exchanger					
Compressor Quantity	1	1	1	1	
Compressor	Rotary	Rotary	Rotary	Scroll	
Fan Quantity	1	1	1	1	
Fan Direction					
Fan Power Input (W)	120×1	120×1	200×1	390×1	
Fan Speed (RPM)	850	850	850	900	
Sound Pressure 1m dB(A)	51	54	58	58	
Water Connection (mm)	50	50	50	50	
Water Flow Volume (m3/h)	3.0	4.0	7.5	9.5	
Water Pressure Drop (max) kPa	10	10	12	12	
Net Dimensions(L/W/H)(mm)	580×545×750	690×655×730	745×700×845	985×735×1130	
Shipping Dimensions(L/W/H)(mm)	600×575×770	710×685×750	765×735×860	1040×790×1350	
Net Weight/Gross Weight(Kg)	61/70	65/85	95/120	146/186	



# ON - OFF HEAT PUMP (R410A)

## COMMERCIAL SWIMMING POOL HEAT PUMP



	PASRW080S-U	PASRW100S-U	PASRW130S-V	PASRW200S-U	PASRW250S-V	PASRW300S-V	PASRW500S-V
(-15~43)							
	36.00	46.00	56.00	91.000	120	145.000	190
	7.10	9.30	12.80	17.300	21	25.500	32.8
	5.35	5.05	4.45	5.490	5.7	5.69	5.79
	33.60	41.78	46.67	72.5	103	120.000	160
	6.50	8.90	11.30	16	20.5	23.500	30.8
	5.17	4.65	4.13	4.53	5.02	5.11	5.19
	28.40	33.00	33.00	56.00	78.00	100.000	125
	5.95	8.15	8.15	13.70	18.00	21.500	29.4
	4.76	4.05	4.05	4.09	4.33	4.65	4.24
	18.33	24.04	29.70	37.248	51.804	59.560	95.795
	7.80	8.89	11.80	17.751	20.288	27.450	37.879
	2.35	2.71	2.52	2.10	2.55	2.17	2.53
	17.93	24.15	18.14	35.21	38.7	46.060	55.07
	8.43	10.49	10.82	15.63	22.96	33.220	21.82
	2.13	2.30	1.68	2.25	1.69	1.39	2.52
380V~415V/3N/50HZ R410A							
Titanium tube heat exchanger with PVC Case							
	2	2	2	2	2	2	4
	Scroll	Scroll	Scroll	Scroll	Scroll	Scroll	Scroll
	2	2	2	3	2	2	2
Vertical							
	200×2	390×2	390×2	200×3	615×2	615×2	2000×2
	850	830	830	750	700	700	920
	61	61	61	61	69	71	67
	60.3	63	63	110	110	110	110
	12.0	15.0	19.5	29.0	35.0	62.0	60.0
	12	12	15	16	16	16	21
	1464×735×1130	1464×735×1130	1464×735×1130	2180×1072×1900	2175×1070×2030	2175×1070×2030	2180×1070×2060
	1500×790×1140	1500×790×1140	1500×790×1140	2230×840×1470	2300×1170×2200	2330×1220×2200	2330×1220×2230
	210/242	229/265	227/262	380/433	648/677	664/693	891/964

COMMERCIAL

AUTOMATION

FILTERS

VALVES

PUMPS

HEATERS & HEAT PUMPS

LIGHTING

CLEANERS

WATER FEATURES

CHEMICAL CONTROLLERS & SANITIZERS

WHITE GOODS

MAINTENANCE & SAFETY

LIFTS & DECK EQUIPMENT

SPA

# ON - OFF HEAT PUMP (R407C)

COMMERCIAL SWIMMING POOL HEAT PUMP



## ORDERING INFORMATION

COMMERCIAL

Part Number		PASRW030-U-T3	PASRW050S-U-T3	PASRW060S-V-T3	PASRW080S-U-T3	
Heating: Outdoor air temp: 24°C/19°C , Inlet water temp:27°C						
Heating Capacity	kW	13	21	25	35	
Heating Capacity	BTU/h	44000	72000	86000	119400	
Heating Power Input	kW	2.65	4.3	5	7.6	
COP		4.91	4.88	5.00	4.61	
Running Current (C/H)	Amp	14.3/13.6	8.2/7.3	10.3/8.9	15.0/13.6	
Power Supply		240V~/50Hz	415V/3N~/50Hz	415V/3N~/50Hz	415V/3N~/50Hz	
Compress Quantity	Nos.	1	1	1	2	
Compress Type		Rotary	Scroll	Scroll	scroll	
Heat Exchanger		Twisted double coil titanium heat exchanger				
Fan Quantity	Nos.	1	1	2	2	
Fan Power Input	W	200	200	120×2	260×2	
Fan Speed	RPM	830	830	850	920	
Air flow volume	m³/h	4000	5500	3200×2	4200×2	
Fan Direction						
Noise	db(A)	58	58	56	61	
Water Connection	mm	50	50	50	63	
Water Flow Volume	m3/hr	3	5	6	8	
Water Pressure Drop	kPA	10	12	12	15	
Ambient Temperature	°C	-7-53				
Refrigerant		R407C				
Cooling: Outdoor air temp: 43°C/32°C ,Inlet water temp: 32°C						
Cooling Capacity	kW	8.8	14.5	17	25	
Cooling Capacity	BTU/h	30000	49500	59500	85300	
Cooling Power Input	kW	2.85	5.1	5.8	8.4	
EER		3.09	2.84	2.93	2.98	
Net dimension	mm	743x700x830	743x700x830	1440x562x860	1490x735x1130	
Shipping Dimensions (l/w/h)	mm	765x735x860	765x735x860	1470x620x990	1510x790x1305	
Net weight/Shipping weight	kg	82/94	110/123	128/152	226/249	

# ON - OFF HEAT PUMP (R407C)

COMMERCIAL SWIMMING POOL HEAT PUMP



COMMERCIAL

	PASRW100S-U-T3	PASRW130S-U-T3	PASRW200S-U-T3	PASRW250S-V-T3	PASRW400S-U-T3	PASRW500S-V-T3
Heating: Outdoor air temp: 24°C/19°C, Inlet water temp: 27°C						
	45	55	82	108	160	210
	45	187000	280000	360000	550000	714000
	9	10.8	20	22.4	34.2	44.8
	5.00	5.09	4.10	4.82	4.68	4.69
	16.4/15.7	16.8/17.5	34.2/35	37.9/38.3	74.2/61.0	92.8/79.8
	415V/3N~/50Hz	415V/3N~/50Hz	415V/3N~/50Hz	415V/3N~/50Hz	415V/3N~/50Hz	415V/3N~/50Hz
	2	2	3	4	3	4
	scroll	scroll	scroll	scroll	scroll	scroll
Twisted double coil titanium heat exchanger						
	2	2	3	3	2	2
	260×2	260×2	200×3	200×3	1780×2	2000×2
	830	830	830	830	870	920
	5300×2	6000×2	5800×3	8000×3	20000×2	23000×2
vertical						
	61	61	65	66	65	67
	63	63	63	110	110	110
	10	13	20	25	40	50
	10	13	20	25	24	24
-7~53						
R407C						
Cooling: Outdoor air temp: 43°C/32°C, Inlet water temp: 32°C						
	30	38	58	72	120	150
	102000	130000	198000	245000	410000	510000
	9.5	10.3	19.5	21.6	41.6	52.1
	3.16	3.69	2.97	3.33	2.88	2.88
	1448x750x1280	1448x750x1280	2150x760x1310	2170x1065x1930	2170x1065x2305	2180x1080x2060
	1540x770x1395	1540x770x1395	2240x830x1450	2240x1180x2000	2210x1210x2370	2240x1220x2120
	240/284	247/282	360/418	695/755	752/790	960/1005

AUTOMATION

FILTERS

VALVES

PUMPS

HEATERS & HEAT PUMPS

LIGHTING

CLEANERS

WATER FEATURES

CHEMICAL CONTROLLERS & SANITIZERS

WHITE GOODS

MAINTENANCE & SAFETY

LIFTS & DECK EQUIPMENT

SPA

# ULTRATEMP ETi™ HEATER

HIGH PERFORMANCE HYBRID HEATER

## TRADEGRADE



First-Ever Dual-Fuel Heating Technology, delivering the fastest and most economical heating options

### FEATURED HIGHLIGHTS

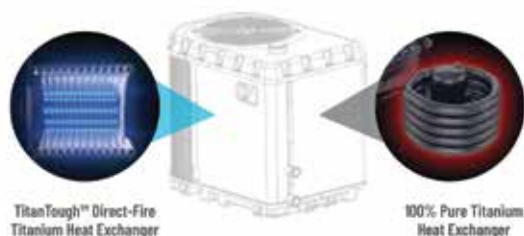
- Gas-Fired functionality for quick heat-ups
- Onboard intelligence delivers outstanding efficiency
- TitanTough™ Direct-Fire Pure Titanium gas heat exchanger assures corrosion-free performance for extra long life
- 93% thermal efficiency gas engine coupled with high performance heat pump
- Smart controls and space savings versus installing two separate units, gas heater and heat pump
- Automation ready with seamless interfacing with Pentair Control Systems
- High efficiency design (four selectable modes: Heat Pump only, Gas only, Hybrid, Dual)
- In “Dual” mode the heater runs both the heat pump and gas heater simultaneously for maximum heat output
- In “Hybrid” mode the heater runs state-of-the-art programming logic to determine the fastest and most economical way to heat your pool based on user input water temperature differential and time period
- Dual internal water bypass assembly automatically adjusts for water flows up to 120 GPM without the need for an external water bypass

### ORDERING INFORMATION

Part #		Model	80/80/80* BTU/COP	80/63/80* BTU/COP	50/63/80* BTU/COP	Gas BTU	Freq (Hz)	Breaker Size (amp)	Phase	Volt	Ctn Qty.	Ctn Wt.
BLACK	ALMOND											
<b>Ultratemp 220K Eti Heater</b>												
460970	460969	220K	108,000/5.8	100,000/5.6	70,000/4.0	110,000	60	50	1	230	1	450

\* Rating in accordance with ARI Standard 1160 (air temp. °F. / % relative humidity / water temp °F.)

### Two heating technologies in a single unit



With both gas-fired and heat pump technologies in a single unit, the UltraTemp ETi Hybrid Pool Heater delivers the combination of speed and efficiency to be ready exactly when you are.



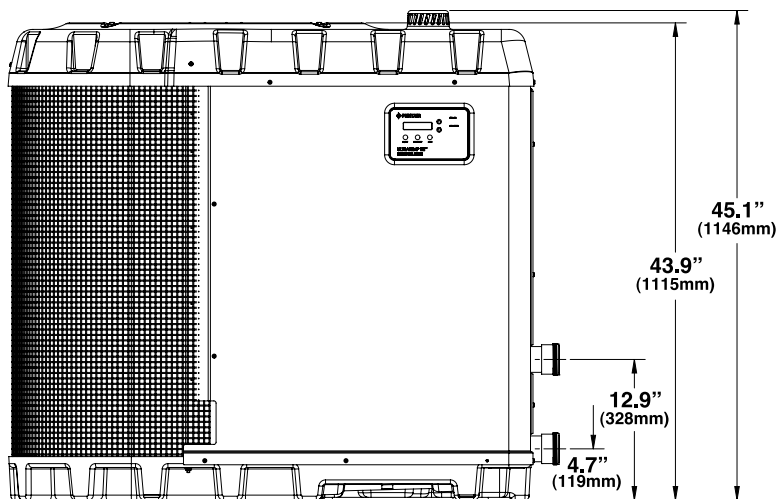
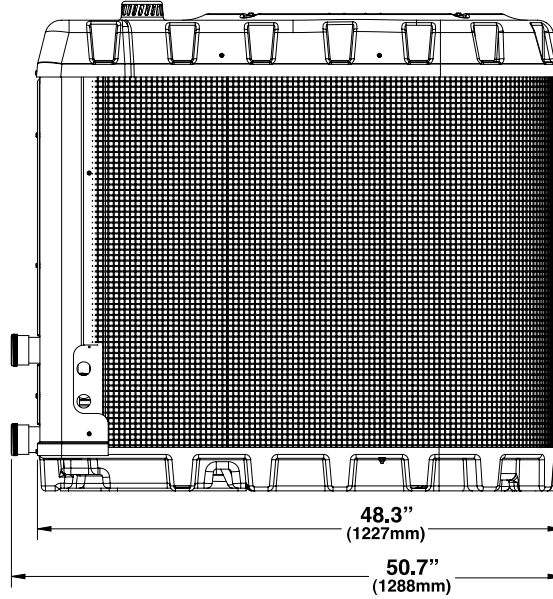
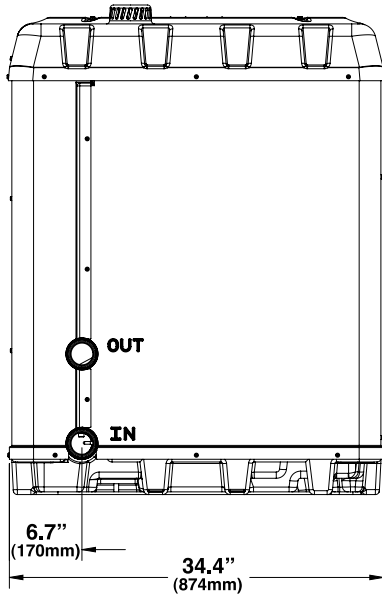
The AHRI Certified® Mark is applied only to HVACR equipment and components that have been independently tested to certify manufacturers' performance claims are accurate. Visit [www.ahridirectory.org](http://www.ahridirectory.org) for a complete list of certified products.

CEC indicates that Heat Pump has been evaluated to California Title-20, listed in the California Energy Commission's (CEC) database of compliant heat pumps, and certified to use on Residential Swimming Pool Filtration Systems.

# ULTRATEMP ETi™ HEATER

HIGH PERFORMANCE HYBRID HEATER

## DIMENSIONS AND PERFORMANCE



AUTOMATION

FILTERS

VALVES

PUMPS

HEATERS &  
HEAT PUMPS

LIGHTING

CLEANERS

WATER  
FEATURES

CHEMICAL  
CONTROLLERS  
& SANITIZERS

WHITE  
GOODS

MAINTENANCE  
& SAFETY

LIFTS & DECK  
EQUIPMENT

SPA

# MASTERTEMP®

## HIGH PERFORMANCE ECO-FRIENDLY HEATERS



### FEATURED HIGHLIGHTS

- Heats up fast so no long waits before enjoying your pool or spa.
- Best-in-class energy efficiency\*.
- Manual gas shut-off when service is required.
- Eco-friendly MasterTemp® is certified for low NOx emission and outperforms industry standards.
- Rotating digital display allows for easy viewing.
- Tough, rustproof exterior handles the heat and weathers the elements.

New **MasterTemp®** heaters offer all the efficiency, convenience and reliability features you want in a pool heater, plus a lot more. As easy to use as your home heating system, plus, user-friendly indicator lights make system operation and monitoring a snap. The compact design and super-quiet operation won't intrude on your poolside leisure time.

### ORDERING INFORMATION

Exp No	Product	Gas Type	BTU (000's)	Carton Qty.	Carton Wt. (Lbs.)
--------	---------	----------	-------------	-------------	-------------------

#### MasterTemp Heaters

	460792	Natural	75	1	128
	460793	Propane	175	1	128
461095	460730	Natural	200	1	128
	460731	Propane	200	1	128
	460732	Natural	250	1	133
	460733	Propane	250	1	133
461097	460734	Natural	300	1	136
	460735	Propane	300	1	136
461098	460736	Natural	400	1	136
	460737	Propane	400	1	136

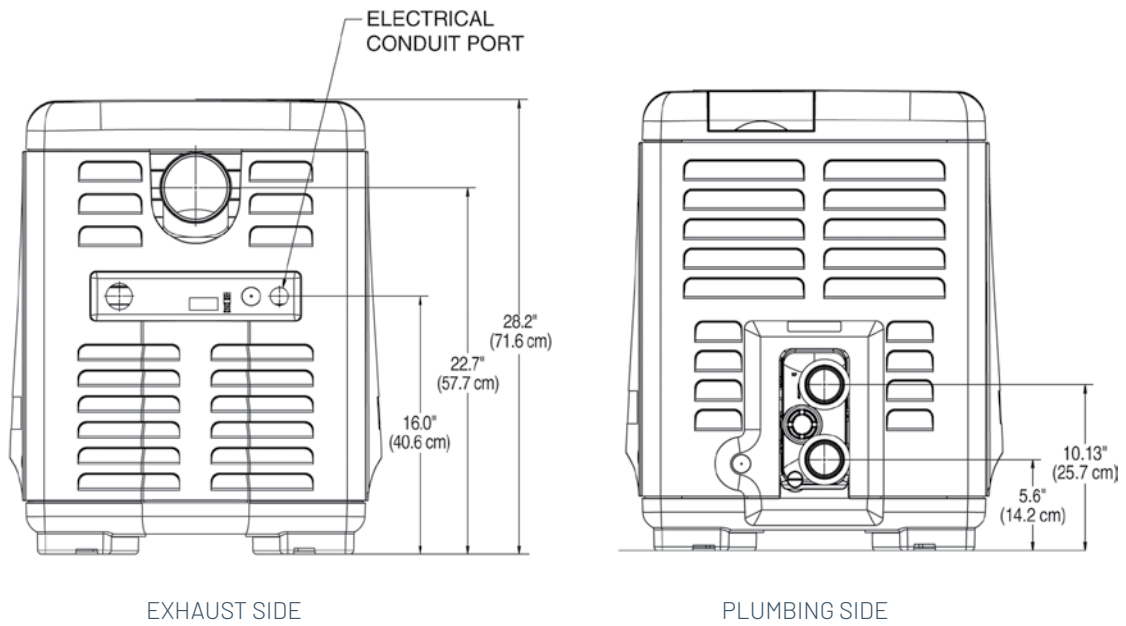
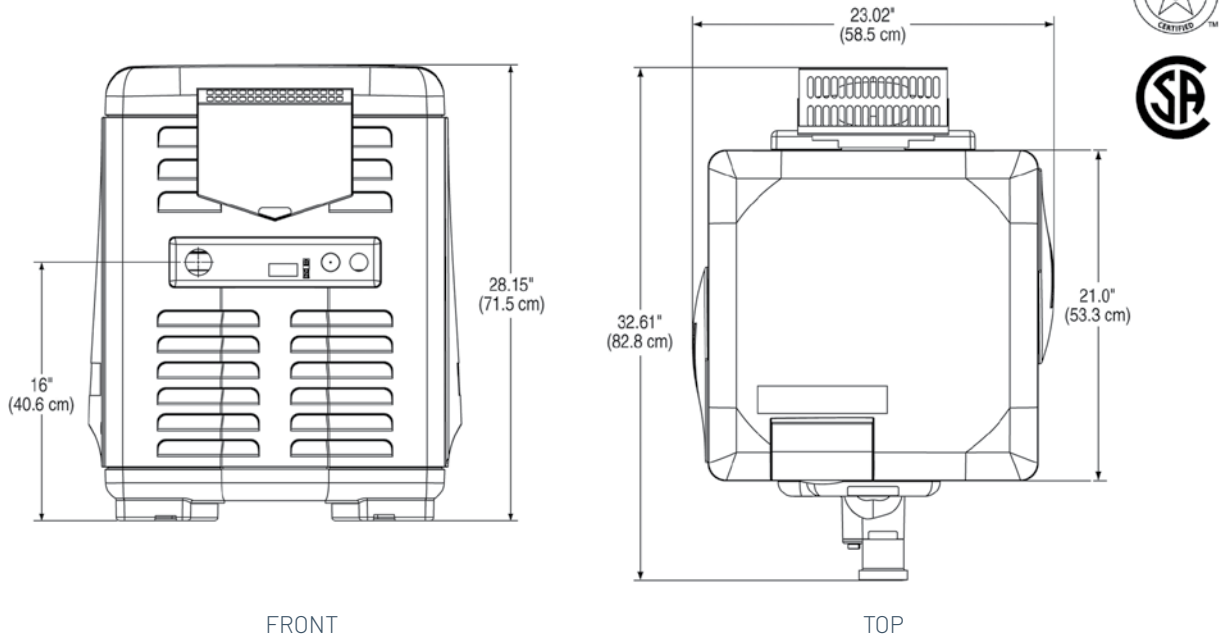
Note: The MasterTemp® is certified for low NOx emissions.

\*Standard Copper Heat Exchanger 84% Efficient. Heavy Duty (HD) Cupro-Nickel Heat Exchanger 81% Efficient.

# MASTERTEMP® (CONT'D)

HIGH PERFORMANCE ECO-FRIENDLY HEATERS

## DIMENSIONS AND CERTIFICATIONS



# ULTRATEMP®

## HIGH PERFORMANCE HEAT PUMPS



The industry's first heat pump charged with non-ozone depleting refrigerant, R410A.

### FEATURED HIGHLIGHTS

- 100% pure titanium heat exchanger assures corrosion-free performance for extra long life.
- LCD control board displays an intuitive menu-driven read out with easy to follow full word messages... no more codes.
- AutoSet (time clock over-ride) feature monitors water temperature and turns the water circulation pump on and off as needed to maintain desired pool temperatures.
- Automatic defrost feature senses refrigerant temperature and prevents ThermalFlo from freezing, allowing the heat pump to operate at even lower temperatures.
- Compatible with ALL automated control packages.
- Long-life corrosion resistant plastic composite cabinet stands up to severe climates and pool chemicals.
- Emerson Copeland Scroll Compressor on 60 Hz, single phase models.
- ETL listed for safe operation.
- Thermostatic Expansion Valve (TXV) controls refrigerant flow for optimum efficiency and BTU output over a wider operating range.
- Highest efficiency available, meets or exceeds existing codes and standards.
- BTU and efficiency performance independently certified by the Air-Conditioning, Heating and Refrigeration Institute, AHRI.

### ORDERING INFORMATION

Epo No	Part # Almond	Model	80/80/80 <sup>1</sup> BTU/COP	80/63/80 <sup>1</sup> BTU/COP	50/63/80 <sup>1</sup> BTU/COP	Freq (Hz)	Breaker Size (amp)	Phase	Wire Size	Volt	Ctn Qty.	Ctn Wt. (Lbs.)	"A" Dim.
<b>Ultratemp Heat Pumps</b>													
461068	460930	70	75,000/5.9	70,000/5.7	50,000/4.1	60	40	1	10	230	1	230	33.5
461015	460931	90	90,000/5.8	84,000/5.5	60,000/4.0	60	50	1	8	230	1	250	33.5
461016	460932	110	108,000/5.8	101,000/5.5	72,000/4.0	60	50	1	8	230	1	270	45.5
461017	460933	120	125,000/5.5	117,000/5.3	82,000/4.0	60	50	1	8	230	1	270	45.5
462000	460934	140	140,000/5.8	132,000/5.5	88,000/4.0	60	50	1	8	230	1	320	45.5
461018	460935	120 R H/C	125,000 Heat/5.4 71,000 Cool/4.1	117,000/5.2	82,000/4.0	60	50	1	8	230	1	278	45.5
461064	460958	140 R H/C	140,000 Heat/5.7 80,000 Cool/4.1	132,000/5.4	85,000/4.0	60	50	1	8	230	1	320	34.5
461066	460936	901	85,000/5.7	81,000/5.4	56,000/4.0	50	30	3	10	380	1	250	33.5
461019	460937	120 C	125,000/6.1	115,000/5.8	81,000/4.3	60	50	3	8	230	1	280	45.5
461065	460938	1001	102,000/5.9	96,000/5.6	67,000/4.0	50	50	1	8	230	1	280	41.5

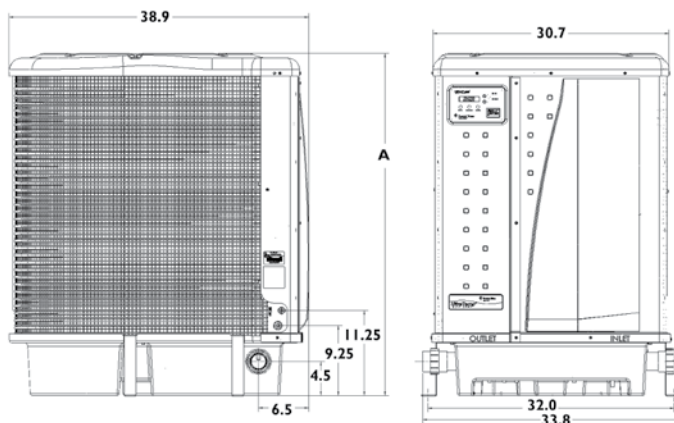
<sup>1</sup> Valves represent air temp°F. / % relative humidity / water temp°F.

### DIMENSIONS AND CERTIFICATIONS

The AHRI Certified™ Mark is applied only to HVACR equipment and components that have been independently tested to certify manufacturers' performance claims are accurate.



Visit [www.ahridirectory.org](http://www.ahridirectory.org) for a complete list of certified products.





# I-MEGALINE COMMERCIAL INVERTOR HEAT PUMP

INVERTER COMMERCIAL SWIMMING POOL HEAT PUMP



## FEATURED HIGHLIGHTS

- Soft Starting
- Low Noise
- Centralized Control (RS485)
- PID Control
- Precise Control
- Automatic Defrost
- Full Inverter Technology
- Free WIFI Module as standard;
- High COP & Efficiency
- 5 inch Colorful touch screen display
- Heating & Cooling
- Self-developed driver board with gas cooling technology

COMMERCIAL

AUTOMATION

FILTERS

VALVES

PUMPS

HEATERS & HEAT PUMPS

LIGHTING

CLEANERS

WATER FEATURES

CHEMICAL CONTROLLERS & SANITIZERS

WHITE GOODS

MAINTENANCE & SAFETY

LIFTS & DECK EQUIPMENT

SPA

## ORDERING INFORMATION

Model Number		PASRW150S-V-P-BP	PASRW300S-P-BP	PASRW600S-P-BP
Gas Quantity	kg	5.00	13.40	24.80
GWP	/	2088	2088	2088
C02	Ton	10.44	27.98	51.78
Refrigerant			R410a	
<b>Performance (Heating)</b>				
Air 27 °C/Water 26 °C /Humid. 80%	Power Boost Mode(kW)	80.00	175.00	300.00
	Heating Capacity(kW)	12.20-65.00	28.20-130.00	61.30-250.00
	Consumed power (kW)	0.76-10.65	1.76-20.97	3.81-40.85
	COP	6.10-16.10	6.20-16.00	6.12-16.10
Air 15 °C/Water 26 °C /Humid. 70%	Power Boost Mode(kW)	60.00	135.00	230.00
	Heating Capacity(kW)	9.60-50.10	22.20-100.00	50.00-190.00
	Consumed power (kW)	1.14-10.20	2.61-20.41	5.81-38.00
	COP	4.91-8.40	4.90-8.50	5.00-8.60
<b>Performance (Cooling)</b>				
Air 35 °C/Water 30 °C/ Humid. 60%	Power Boost Mode(kW)	42.00	96.00	170.00
	Cooling Capacity(kW)	15.00-30.20	59.40-73.4	90.00-130.00
	Consumed power (kW)	2.94-7.37	11.21-17.07	16.36-28.89
	EER	4.10-5.10	4.30-5.30	4.50-5.50
Air 43 °C/Water 26 °C/ Humid. 70%	Power Boost Mode(kW)	25.00	75.00	140.00
	Cooling Capacity(kW)	8.2-18.4	44.00-54.80	58.30-110.00
	Consumed power (kW)	2.02-6.13	10.73-17.79	14.05-35.48
	EER	3.00-4.05	3.08-4.10	3.10-4.15
<b>Technical data</b>				
Power Supply		380-415V~/3Ph~		
Fan Quantity		2	2	2
Fan Speed (RPM)		750	700	700
Sound Pressure 1m dB(A)		63	64	70
Sound Pressure in silence mode 1m dB(A)		49	51	59
Water Connection (mm)		63	110	110
Water Flow Volume (m3/h)		27.5	53.0	100.0
Water Pressure Drop (max) kPa		25	37	100
Net Dimensions L/W/H (mm) R32		1750×840×1750	2170×1150×2130	2540×1330×2370
Qty per 20'GP/40'GP/40'HQ		6/13/13	4/9/9	*/1/4

# COMMERCIAL MEGATHERM®

## HIGH PERFORMANCE ELECTRONIC IGNITION HEATER



Commercial MegaTherm Heater

### FEATURED HIGHLIGHTS

- Electronic ignition
- Built-in draft diverter (indoor models) simplifies installation
- Integral pump assures proper water flow (models 500-1825)
- High temperature refractory firebox liner to 2000° F for greater efficiency
- Easy-to-service header flanges
- Corrosion-resistant glass-lined headers
- CSA Certified
- **CSD-1 and other options available. Contact factory for part numbers**
- Start-up service by an authorized representative is strongly recommended before regular operation

Powerful, efficient, and reliable, MegaTherm Pool Heaters are designed for commercial, institutional and large residential where economical performance and rapid heat-up are required. Available in indoor and outdoor models in both natural and propane. MegaTherm is design verified to the ANSI Z21.56 Standard for Gas-Fired Pool Heaters (Outdoor 5--1825 units are certified for use without the addition of a draft diverter or external vent. Indoor units incorporate a built-in draft diverter and require only vent piping.)

### ORDERING INFORMATION

Product	BTUs (000's)	Installation	Gas Type	Pump System	Heat Exchanger	Carton Wt. (Lbs.)
<b>Commercial Megatherm Natural Gas Models</b>						
MT0500IN09C1PC	500	Indoor	Natural	Pump Mounted	Copper	808
MT0600IN09C1PC	600	Indoor	Natural	Pump Mounted	Copper	819
MT0715IN09C1PC	715	Indoor	Natural	Pump Mounted	Copper	873
MT0850IN09C1PC	850	Indoor	Natural	Pump Mounted	Copper	945
MT0999IN09C1PC	999	Indoor	Natural	Pump Mounted	Copper	1041
MT1010IN09C1PC	1010	Indoor	Natural	Pump Mounted	Copper	1041
MT1200IN09C1PC	1200	Indoor	Natural	Pump Mounted	Copper	1199
MT1430IN09C1PC	1430	Indoor	Natural	Pump Mounted	Copper	1280
MT1670IN09CBPC	1670	Indoor	Natural	Pump Mounted	Copper	1445
MT1825IN09CBPC	1825	Indoor	Natural	Pump Mounted	Copper	1570
MT0500IN09C1PN	500	Indoor	Natural	Pump Mounted	CuproNickel	808
MT0600IN09C1PN	600	Indoor	Natural	Pump Mounted	CuproNickel	819
MT0715IN09C1PN	715	Indoor	Natural	Pump Mounted	CuproNickel	873
MT0850IN09C1PN	850	Indoor	Natural	Pump Mounted	CuproNickel	945
MT0999IN09C1PN	999	Indoor	Natural	Pump Mounted	CuproNickel	1041
MT1010IN09C1PN	1010	Indoor	Natural	Pump Mounted	CuproNickel	1041
MT1200IN09C1PN	1200	Indoor	Natural	Pump Mounted	CuproNickel	1199
MT1430IN09C1PN	1430	Indoor	Natural	Pump Mounted	CuproNickel	1280
MT1670IN09CBPN	1670	Indoor	Natural	Pump Mounted	CuproNickel	1445
MT1825IN09CBPN	1825	Indoor	Natural	Pump Mounted	CuproNickel	1570
MT0500EN09CBPC	500	Outdoor	Natural	Pump Mounted	Copper	855
MT0600EN09CBPC	600	Outdoor	Natural	Pump Mounted	Copper	949
MT0715EN09CBPC	715	Outdoor	Natural	Pump Mounted	Copper	1050
MT0850EN09CBPC	850	Outdoor	Natural	Pump Mounted	Copper	1100
MT0999EN09CBPC	999	Outdoor	Natural	Pump Mounted	Copper	1240
MT1010EN09CBPC	1010	Outdoor	Natural	Pump Mounted	Copper	1240
MT1200EN09CBPC	1200	Outdoor	Natural	Pump Mounted	Copper	1410
MT1430EN09CBPC	1430	Outdoor	Natural	Pump Mounted	Copper	1570
MT1670EN09CBPC	1670	Outdoor	Natural	Pump Mounted	Copper	1622
MT1825EN09CBPC	1825	Outdoor	Natural	Pump Mounted	Copper	1725
MT0500EN09CBPN	500	Outdoor	Natural	Pump Mounted	CuproNickel	855

# COMMERCIAL MEGATHERM® (CONT'D)

HIGH PERFORMANCE ELECTRONIC IGNITION HEATER

Product	BTUs (000's)	Installation	Gas Type	Pump System	Heat Exchanger	Carton Wt. (Lbs.)
---------	--------------	--------------	----------	-------------	----------------	-------------------

## Commercial Megatherm Natural Gas Models

MT0600EN09CBPN	600	Outdoor	Natural	Pump Mounted	CuproNickel	949
MT0715EN09CBPN	715	Outdoor	Natural	Pump Mounted	CuproNickel	1050
MT0850EN09CBPN	850	Outdoor	Natural	Pump Mounted	CuproNickel	1100
MT0999EN09CBPN	999	Outdoor	Natural	Pump Mounted	CuproNickel	1240
MT1010EN09CBPN	1010	Outdoor	Natural	Pump Mounted	CuproNickel	1240
MT1200EN09CBPN	1200	Outdoor	Natural	Pump Mounted	CuproNickel	1410
MT1430EN09CBPN	1430	Outdoor	Natural	Pump Mounted	CuproNickel	1570
MT1670EN09CBPN	1670	Outdoor	Natural	Pump Mounted	CuproNickel	1622
MT1825EN09CBPN	1825	Outdoor	Natural	Pump Mounted	CuproNickel	1725
MT2000IN18CCAC	2000	Indoor	Natural	Less Pump	Copper	1950
MT2450IN18CCAC	2450	Indoor	Natural	Less Pump	Copper	2100
MT3050IN18CCAC	3050	Indoor	Natural	Less Pump	Copper	2250
MT3500IN18CCAC	3500	Indoor	Natural	Less Pump	Copper	2510
MT4050IN18CCAC	4050	Indoor	Natural	Less Pump	Copper	2750
MT4500IN18CCAC	4500	Indoor	Natural	Less Pump	Copper	2900
MT5000IN18CCAC	5000	Indoor	Natural	Less Pump	Copper	3200
MT2000IN18CCAN	2000	Indoor	Natural	Less Pump	CuproNickel	1950
MT2450IN18CCAN	2450	Indoor	Natural	Less Pump	CuproNickel	2100
MT3050IN18CCAN	3050	Indoor	Natural	Less Pump	CuproNickel	2250
MT3500IN18CCAN	3400	Indoor	Natural	Less Pump	CuproNickel	2510
MT4050IN18CCAN	4050	Indoor	Natural	Less Pump	CuproNickel	2750
MT4500IN18CCAN	4500	Indoor	Natural	Less Pump	CuproNickel	2900
MT5000IN18CCAN	5000	Indoor	Natural	Less Pump	CuproNickel	3200
MT2200EN18CCAC	2200	Outdoor	Natural	Less Pump	Copper	2320
MT2800EN18CCAC	2800	Outdoor	Natural	Less Pump	Copper	2500
MT3200EN18CCAC	3200	Outdoor	Natural	Less Pump	Copper	2840
MT3600EN18CCAC	3600	Outdoor	Natural	Less Pump	Copper	3175
MT4000EN18CCAC	4000	Outdoor	Natural	Less Pump	Copper	3940
MT4500EN18CCAC	4500	Outdoor	Natural	Less Pump	Copper	3790
MT2200EN18CCAN	2200	Outdoor	Natural	Less Pump	CuproNickel	2320
MT2800EN18CCAN	2800	Outdoor	Natural	Less Pump	CuproNickel	2500
MT3200EN18CCAN	3200	Outdoor	Natural	Less Pump	CuproNickel	2840
MT3600EN18CCAN	3600	Outdoor	Natural	Less Pump	CuproNickel	3175
MT4000EN18CCAN	4000	Outdoor	Natural	Less Pump	CuproNickel	3940
MT4500EN18CCAN	4500	Outdoor	Natural	Less Pump	CuproNickel	3790

## Commercial Megatherm Propane Models

MT0500IP09C1PC	500	Indoor	Propane	Pump Mounted	Copper	808
MT0600IP09C1PC	600	Indoor	Propane	Pump Mounted	Copper	819
MT0715IP09C1PC	715	Indoor	Propane	Pump Mounted	Copper	873
MT0850IP09C1PC	850	Indoor	Propane	Pump Mounted	Copper	945
MT0999IP09C1PC	999	Indoor	Propane	Pump Mounted	Copper	1041
MT1010IP09C1PC	1010	Indoor	Propane	Pump Mounted	Copper	1041
MT1200IP09C1PC	1200	Indoor	Propane	Pump Mounted	Copper	1199
MT1430IP09C1PC	1430	Indoor	Propane	Pump Mounted	Copper	1280
MT1670IP09CBPC	1670	Indoor	Propane	Pump Mounted	Copper	1445
MT1825IP09CBPC	1825	Indoor	Propane	Pump Mounted	Copper	1570
MT0500IP09C1PN	500	Indoor	Propane	Pump Mounted	CuproNickel	808
MT0600IP09C1PN	600	Indoor	Propane	Pump Mounted	CuproNickel	819
MT0715IP09C1PN	715	Indoor	Propane	Pump Mounted	CuproNickel	873
MT0850IP09C1PN	850	Indoor	Propane	Pump Mounted	CuproNickel	945

COMMERCIAL

AUTOMATION

FILTERS

VALVES

PUMPS

HEATERS & HEAT PUMPS

LIGHTING

CLEANERS

WATER FEATURES

CHEMICAL CONTROLLERS & SANITIZERS

WHITE GOODS

MAINTENANCE & SAFETY

LIFTS & DECK EQUIPMENT

SPA

# COMMERCIAL MEGATHERM® (CONT'D)

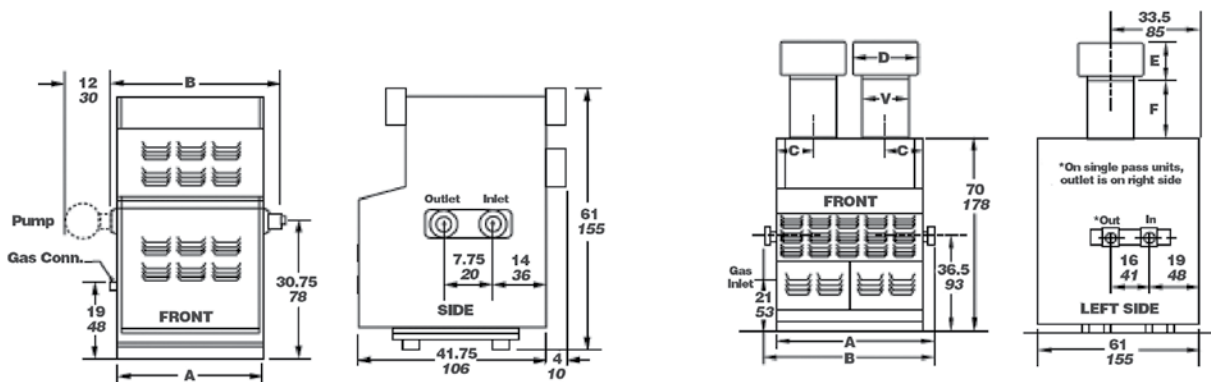
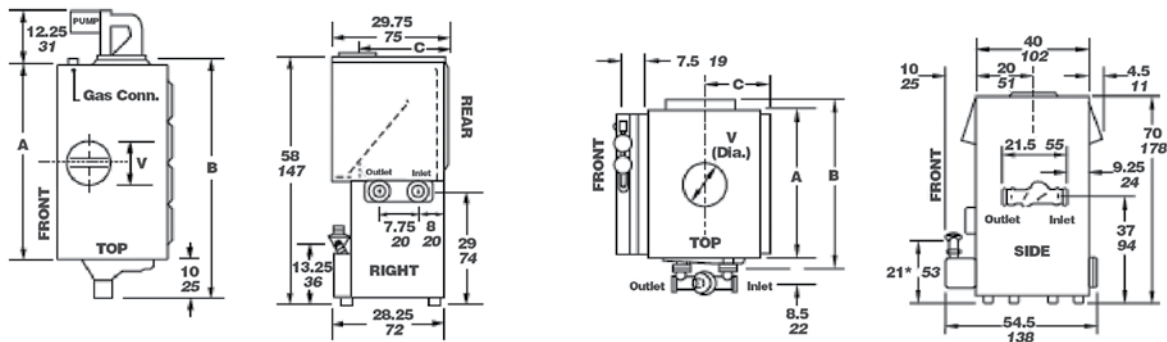
HIGH PERFORMANCE ELECTRONIC IGNITION HEATER

Product	BTUs (000's)	Installation	Gas Type	Pump System	Heat Exchanger	Carton Wt. (Lbs.)
---------	--------------	--------------	----------	-------------	----------------	-------------------

## Commercial Megatherm Propane Models

MT0999IP09C1PN	999	Indoor	Propane	Pump Mounted	CuproNickel	1041
MT1010IP09C1PN	1010	Indoor	Propane	Pump Mounted	CuproNickel	1041
MT1200IP09C1PN	1200	Indoor	Propane	Pump Mounted	CuproNickel	1199
MT1430IP09C1PN	1430	Indoor	Propane	Pump Mounted	CuproNickel	1280
MT1670IP09CBPN	1670	Indoor	Propane	Pump Mounted	CuproNickel	1445
MT1825IP09CBPN	1825	Indoor	Propane	Pump Mounted	CuproNickel	1570
MT0500EP09CBPC	500	Outdoor	Propane	Pump Mounted	Copper	855
MT0600EP09CBPC	600	Outdoor	Propane	Pump Mounted	Copper	949
MT0715EP09CBPC	715	Outdoor	Propane	Pump Mounted	Copper	1050
MT0850EP09CBPC	850	Outdoor	Propane	Pump Mounted	Copper	1100
MT0999EP09CBPC	999	Outdoor	Propane	Pump Mounted	Copper	1240
MT1010EP09CBPC	1010	Outdoor	Propane	Pump Mounted	Copper	1240
MT1200EP09CBPC	1200	Outdoor	Propane	Pump Mounted	Copper	1410
MT1430EP09CBPC	1430	Outdoor	Propane	Pump Mounted	Copper	1570
MT1670EP09CBPC	1670	Outdoor	Propane	Pump Mounted	Copper	1622
MT1825EP09CBPC	1825	Outdoor	Propane	Pump Mounted	Copper	1725
MT0500EP09CBPN	500	Outdoor	Propane	Pump Mounted	CuproNickel	855
MT0600EP09CBPN	600	Outdoor	Propane	Pump Mounted	CuproNickel	949
MT0715EP09CBPN	715	Outdoor	Propane	Pump Mounted	CuproNickel	1050
MT0850EP09CBPN	850	Outdoor	Propane	Pump Mounted	CuproNickel	1100
MT0999EP09CBPN	999	Outdoor	Propane	Pump Mounted	CuproNickel	1240

## DIMENSIONS AND PERFORMANCE









# LIGHTING



# INTELLIBRITE®

## ARCHITECTUAL SERIES POOL AND SPA LIGHTING



▲ IntelliBrite® Architectural Series Pool Lights

▲ IntelliBrite® Architectural Series Spa Lights

### FEATURED HIGHLIGHTS

- **More light, more energy efficient**—now **60%** brighter and **50%** more energy efficient.\*
- **Spreads light widely and evenly** in all directions using a 3D light engine and convex lens.
- **Provides cleaner white light** with no color separation thanks to improved optics.
- **Color for every mood** with five brilliant colorlights and seven dynamic color-changing light shows.
- **High-quality components** add durability to the dazzle due to long-lasting construction.
- **Compatibility with Pentair 10" and 6" niches** enables an ideal upgrade from incandescent or first-generation LED lights.
- **Adds instant ambiance** with easy customer pool control through a Pentair automation system, if available, or a Color Sync™ Controller for Pentair Color LED Lights.

### REDISCOVER NIGHTTIME POOL MAGIC. IN A WHOLE NEW LIGHT

Introducing the next generation of pool illumination.

Help your customers rediscover the magic of the nighttime pool experience – in a whole new light. Presenting IntelliBrite® Architectural Series Pool and Spa Lighting. This significant innovation helps you deliver a more dazzling and dynamic LED pool lighting experience using an advanced proprietary design from a trusted pool lighting leader.



# Instant ambiance. At your fingertips.

### SUCH VIBRANT VERSATILITY

With five vibrant colors and seven dynamic color changing light shows, the Color Sync Controller makes you the automated artist of your pool.

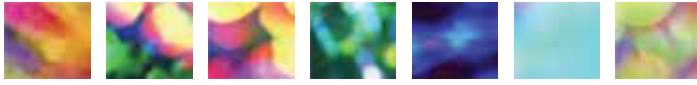




# INTELLIBRITE®

## ARCHITECTUAL SERIES POOL AND SPA LIGHTING

### Dynamic color-changing light shows



California  
Sunset

Caribbean

Party

Royal

American

Romance

Sam

### Brilliant color choices



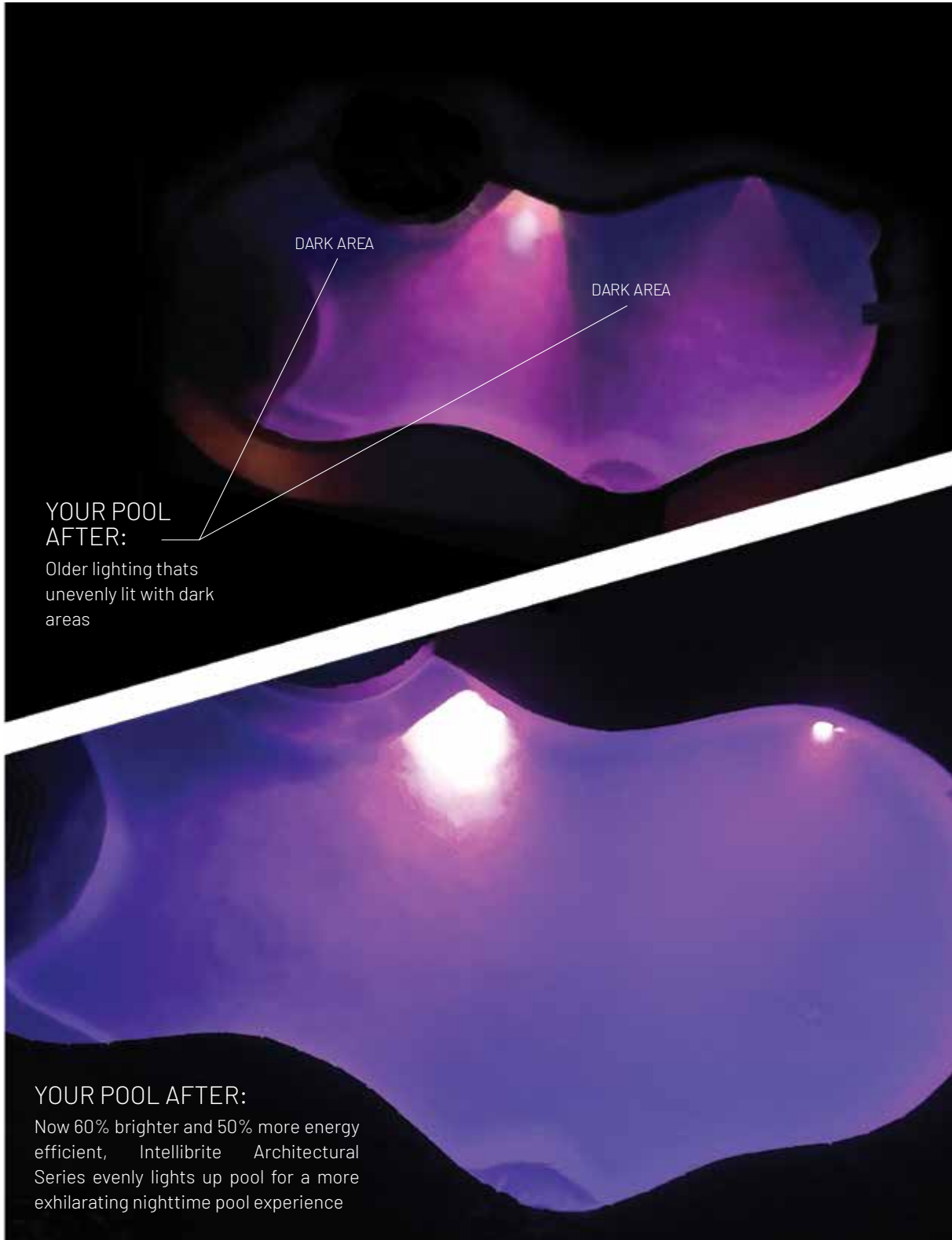
Blue

Green

Magenta

White

Red



### YOUR POOL AFTER:

Older lighting that unevenly lit with dark areas

### YOUR POOL AFTER:

Now 60% brighter and 50% more energy efficient, Intellibrite Architectural Series evenly lights up pool for a more exhilarating nighttime pool experience

AUTOMATION

FILTERS

VALVES

PUMPS

HEATERS &  
HEAT PUMPS

LIGHTING

CLEANERS

WATER  
FEATURES

CHEMICAL  
CONTROLLERS  
& SANITIZERS

WHITE  
GOODS

MAINTENANCE  
& SAFETY

LIFTS & DECK  
EQUIPMENT

SPA

# INTELLIBRITE®

## ARCHITECTUAL SERIES POOL AND SPA LIGHTING

### ORDERING INFORMATION

Product	Size	Model	Voltage	Power	Cord Length (ft)	Incandescent Equivalency
602185	Pool	Multi-Color	120V	28W	30	N/A
602186	Pool	Multi-Color	120V	28W	50	N/A
602187	Pool	Multi-Color	120V	28W	100	N/A
602188	Pool	Multi-Color	120V	28W	150	N/A
602206	Pool	Multi-Color	120V	28W	250	N/A
602151	Pool	Multi-Color	12V	28W	30	N/A
602152	Pool	Multi-Color	12V	28W	50	N/A
602153	Pool	Multi-Color	12V	28W	100	N/A
602154	Pool	Multi-Color	12V	28W	150	N/A
602201	Spa	Multi-Color	120V	18W	30	N/A
602202	Spa	Multi-Color	120V	18W	50	N/A
602203	Spa	Multi-Color	120V	18W	100	N/A
602204	Spa	Multi-Color	120V	18W	150	N/A
602205	Spa	Multi-Color	120V	18W	250	N/A
602197	Spa	Multi-Color	12V	18W	30	N/A
602198	Spa	Multi-Color	12V	18W	50	N/A
602199	Spa	Multi-Color	12V	18W	100	N/A
602200	Spa	Multi-Color	12V	18W	150	N/A
602181	Pool	White	120V	26W	30	300W
602182	Pool	White	120V	26W	50	300W
602183	Pool	White	120V	26W	100	300W
602184	Pool	White	120V	26W	150	300W
602207	Pool	White	120V	26W	250	300W
602143	Pool	White	12V	26W	30	300W
602144	Pool	White	12V	26W	50	300W
602145	Pool	White	12V	26W	100	300W
602146	Pool	White	12V	26W	150	300W
602177	Pool	White	120V	31W	30	500W
602178	Pool	White	120V	31W	50	500W
602179	Pool	White	120V	31W	100	500W
602180	Pool	White	120V	31W	150	500W
602208	Pool	White	120V	31W	250	500W
602139	Pool	White	12V	31W	30	500W
602140	Pool	White	12V	31W	50	500W
602141	Pool	White	12V	31W	100	500W
602142	Pool	White	12V	31W	150	500W
602177	Pool	White	120V	31W	30	500W
602178	Pool	White	120V	31W	50	500W

# INTELLIBRITE®

## ARCHITECTUAL SERIES POOL AND SPA LIGHTING

### ORDERING INFORMATION

Product	Size	Model	Voltage	Power	Cord Length (ft)	Incandescent Equivalency
602179	Pool	White	120V	31W	100	500W
602180	Pool	White	120V	31W	150	500W
602208	Pool	White	120V	31W	250	500W
602139	Pool	White	12V	31W	30	500W
602140	Pool	White	12V	31W	50	500W
602141	Pool	White	12V	31W	100	500W
602142	Pool	White	12V	31W	150	500W
602193	Spa	White	120V	18W	30	100W
602194	Spa	White	120V	18W	50	100W
602195	Spa	White	120V	18W	100	100W
602196	Spa	White	120V	18W	150	100W
602209	Spa	White	120V	18W	250	100W
618015	Spa	White	12V	18W	30	100W
618016	Spa	White	12V	18W	50	100W
618017	Spa	White	12V	18W	100	100W
618018	Spa	White	12V	18W	150	100W
602147	Pool	Warm White	12V	31W	30	N/A
602148	Pool	Warm White	12V	31W	50	N/A
602149	Pool	Warm White	12V	31W	100	N/A
602150	Pool	Warm White	12V	31W	150	N/A
602189	Pool	Warm White	120V	31W	30	N/A
602190	Pool	Warm White	120V	31W	50	N/A
602191	Pool	Warm White	120V	31W	100	N/A
602192	Pool	Warm White	120V	31W	150	N/A
602221	Pool	Warm White	120V	31W	250	N/A
602238	Spa	Warm White	12V	18W	30	N/A
602239	Spa	Warm White	12V	18W	50	N/A
602240	Spa	Warm White	12V	18W	100	N/A
602241	Spa	Warm White	12V	18W	150	N/A
602225	Spa	Warm White	120V	18W	30	N/A
602226	Spa	Warm White	120V	18W	50	N/A
602227	Spa	Warm White	120V	18W	100	N/A
602228	Spa	Warm White	120V	18W	150	N/A
602229	Spa	Warm White	120V	18W	250	N/A
602236	Pool	Turtle	12V	TBD	150	N/A
602223	Pool	Turtle	120V	TBD	150	N/A
602242	Spa	Turtle	12V	18W	150	N/A
602231	Spa	Turtle	120V	18W	150	N/A
602249	Spa	Multi-Color (Royal)	120V	18W	150	N/A

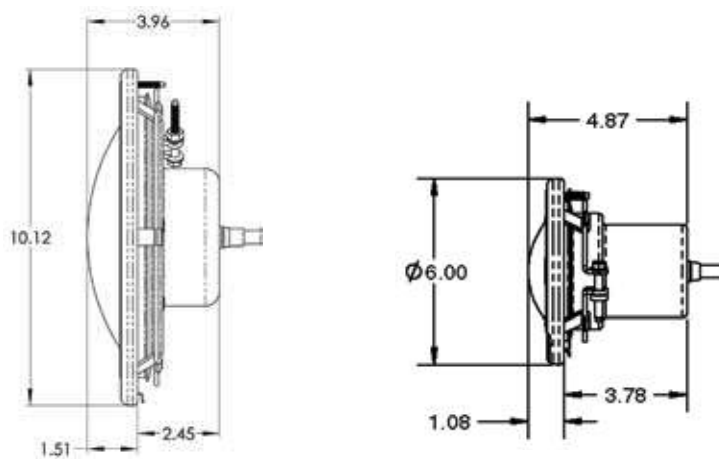
# INTELLIBRITE®

## ARCHITECTUAL SERIES POOL AND SPA LIGHTING

### ORDERING INFORMATION

Product	Size	Model	Voltage	Power	Cord Length (ft)
602248	Spa	Multi-Color (Royal)	12V	18W	150
EC-602232	Pool	Multi-Color	120V	28W	100
EC-602237	Pool	Multi-Color	12V	28W	100
EC-602233	Spa	Multi-Color	120V	18W	100
EC-602247	Spa	Multi-Color	12V	18W	100
EC-602253	Pool	White	120V	31W	100
EC-602234	Pool	White	12V	31W	100
EC-602230	Spa	White	120V	18W	100
EC-602254	Spa	White	12V	18W	100
EC-602222	Pool	Warm White	120V	31W	100
EC-602235	Pool	Warm White	12V	31W	100
EC-602224	Spa	Warm White	120V	18W	100
EC-602255	Spa	Warm White	12V	18W	100
602178	Pool	White	120V	31W	50

### Dimensions



# AMERBRITE® WHITE AND COLOR LED LIGHTS

UNDERWATER LED REPLACEMENT LAMP FOR AMERLITE® LIGHT SERIES



AmerBrite LED Light



The AmerBrite Color and White LED lamps bring the luminous splendor of LED technology to the best-selling Amerlite light series. Its convenient Edison screw base offer a 'plug-and-play' replacement for Amerlite incandescent bulbs. Pool owners will experience the vivid luminance and efficiency of today's best and brightest pool light technology.

## FEATURED HIGHLIGHTS

- The only UL and cUL Certified LED replacement lamp for Amerlite incandescent fixtures
- White lamps are available in 300, 400 or 500 watt equivalencies in 120V or 12V versions
- AmerBrite Color lamps use 36 watts of power. AmerBrite White lamps use 34 to 51 watts of power
- Color lamps feature 5 brilliant fixed colors; 7 dazzling pre-programmed light shows
- The brightest and most efficient LED replacement pool lamp on the market
- Superior reflector design creates more uniform light distribution
- Lens can be rotated 180 degrees to provide wide or narrow beam pattern
- LED technology provides longer life
- Solid state technology with no internal filament
- Box contains replacement lamp, silicone gasket, wide/narrow glass lens and new clamp. Must install inside original Amerlite pool light housing

**Warning:** The IntelliBrite White LED light cannot be used on a dimmer circuit. Using a dimmer switch will result in permanent damage to the light.



Amerlite Housing

AmerBrite Lamp

Note: Must install inside original Amerlite pool light.



Kit includes screw-in power supply, LED light engine, torque limiting nut, unitension clamp ring, silicone gasket and replacement glass lens.

## ORDERING INFORMATION

Product	Description	Voltage	Incandescent Equivalency	Carton Qty.	Carton Wt. (Lbs.)
---------	-------------	---------	--------------------------	-------------	-------------------

### Amerbrite White Led

602070	AmerBrite White 12V	12	300	1	6 lb.
602075	AmerBrite White 120V	120	300	1	7.5 lb.
602071	AmerBrite White 12V	12	400	1	6 lb.
602076	AmerBrite White 120V	120	400	1	7.5
602072	AmerBrite White 12V	12	500	1	6 lb.
602077	AmerBrite White 120V	120	500	1	7.5

### Amerbrite Color Led

602060	AmerBrite Color 12V	12	N/A	1	6 lb.
602065	AmerBrite Color 120V	120	N/A	1	8 lb.

## Dimensions and Certifications

All Pentair UL Listed underwater lights are certified for use in fresh water with up to 6,000 ppm salinity.



# INTELLIBRITE®-E POOL

UNDERWATER LED LIGHTS FOR SWIMMING POOLS AND SPAS



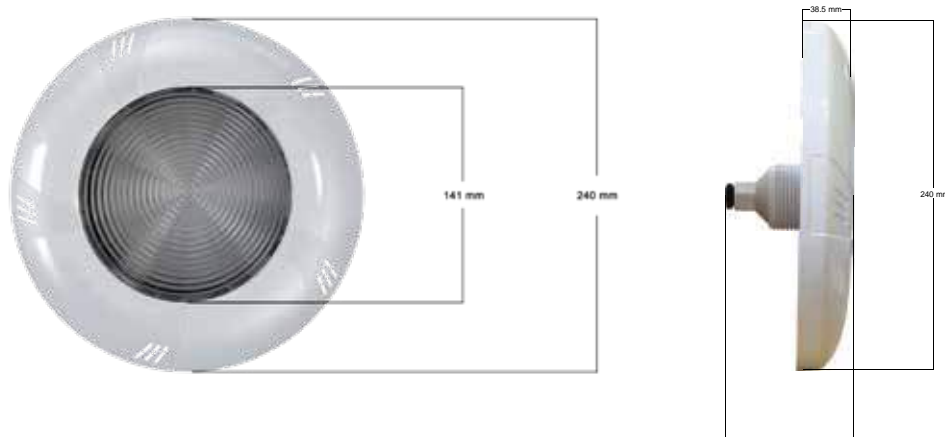
## FEATURED HIGHLIGHTS

- Available in white and color-changing.
- Power- and Mid-power LED technology.
- Extra flat design for perfect integration in the pool design.
- Graphite heat dissipator for extended product life.
- Unpluggable for easy maintenance.
- Two mounting ways, directly in 1.1/2" or 2" wall fittings or with the IntelliBrite-E Niche.
- Compatible with any IntelliBrite controller.
- Synchronizes with the Magicstream® Laminars as well as any other IntelliBrite compatible lights.
- Provided with 3m cable.

## ORDERING INFORMATION

Model	Description
INTB-EPWT	IntelliBrite®-E POOL WHITE 44W for 1 1/2" wall fitting or 2" with adaptor*
INTB-EPCT	IntelliBrite®-E POOL COLOR 40W for 1 1/2" wall fitting or 2" with adaptor*
INTB-EPWN	IntelliBrite®-E POOL WHITE 44W for IntelliBrite-E Niche*
INTB-EPCN	IntelliBrite®-E POOL COLOR 40W for IntelliBrite-E Niche*

Model	Type	Mounting	Voltage	Watts	Lumen output
INTB-EPWT	WHT	1 1/2" wall fitting	12V	44 W	4400 lm
INTB-EPCT	RGBW	1 1/2" wall fitting	12V	40 W	1150 lm
INTB-EPWN	WHT	IntelliBrite-E niche	12V	44 W	4400 lm
INTB-EPCN	RGBW	IntelliBrite-E niche	12V	40 W	1150 lm



# LACUS SURFACE MOUNT LED LIGHTS

HIGH POWER UNDERWATER LED LIGHT



## FEATURED HIGHLIGHTS

- Ultra-Thin LED panel technology
- Superior geometric lens strengthen the light beam throughout the wide angle lens and lighten the entire pool
- Unlike other LED lights, Pentair high power LED light keeps working even a single LED bulb goes out
- Waterproof Standard: IP68
- With 2.5m safety rubber cable
- Direct wall-mount design for simple installation

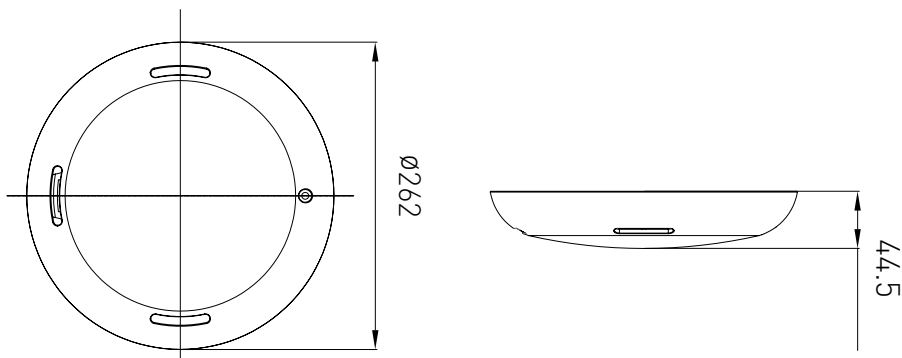


Pentair high power LED light is the industrial leading nicheless LED pool and Spa light, designed to delivery brilliant and vibrant colors by a single light.

## ORDERING INFORMATION

Part Number	Description	Voltage	Wattage	Chord Length (meter)	Facing Ring Dia' (mm)
LED8W	Surface Mounted LED Light 198 LEDs White	12V	8	2.5	260
LED20W	Surface Mounted LED Light 252 LEDs Warm White	12V	20	2.5	262
LED35W	Surface Mounted LED Light 441 LEDs Warm White	12V	35	2.5	262

## Dimensions



# INTELLIBRITE®-E SPA

UNDERWATER LED LIGHTS FOR SWIMMING POOLS AND SPAS



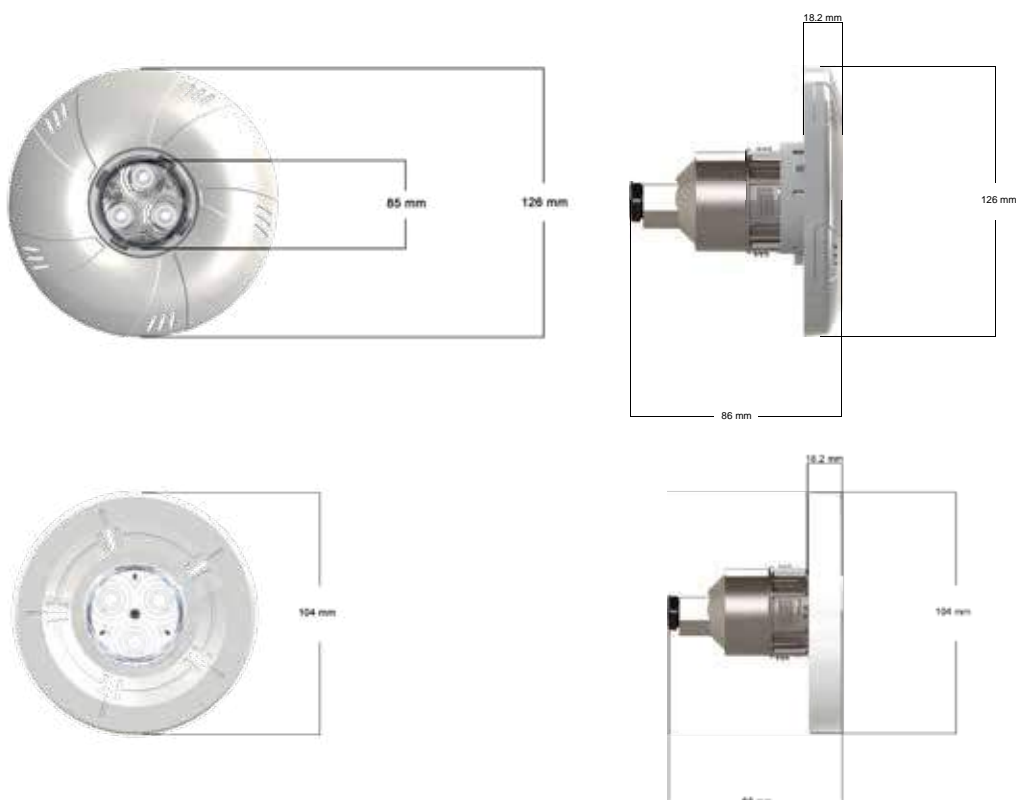
## FEATURED HIGHLIGHTS

- Power- and Mid-power LED technology.
- Extra flat and compact design for perfect integration in pool stairs, thalaso or kids' corner.
- Graphite heat dissipator for extended product life.
- Unpluggable for easy maintenance.
- Two mounting ways, either directly in 1.1/2" or 2" wall fittings or in IntelliBrite-E universal niche.
- Compatible with any IntelliBrite compatible controller.
- Synchronizes with the Magicstream® Laminars as well as any other IntelliBrite compatible lights.
- Provided with 3m cable.

## ORDERING INFORMATION

Model	Description
INTB-ESW	IntelliBrite®-E Spa WHITE 14W
INTB-ESC	IntelliBrite®-E Spa COLOR 12W

Model	Type	Mounting	Voltage	Watts	Lumen output
INTB-ESW	WHT	1.1/2" wall fitting or IntelliBrite-E Niche	12V	14 W	866 lm
INTB-ESC	RGBW	1.1/2" wall fitting or IntelliBrite-E Niche	12V	12 W	411 lm





# INTELLIBRITE®-PAR56 WHITE AND COLOR

UNDERWATER LED LIGHTS FOR SWIMMING POOLS AND SPAS



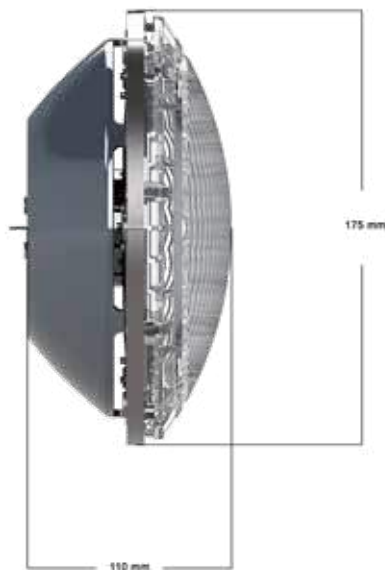
## FEATURED HIGHLIGHTS

- Available in white and color-changing.
- Power- and Mid-power LED technology.
- Unpluggable for easy maintenance.
- Fit in all pools equipped with PAR56 niches.
- Can be used for both new pool and as replacement of conventional incandescent bulbs.
- Automatic intensity reduction, cooling fins and Graphite heat dissipator protect light from overheating for extended product life.
- Compatible with any IntelliBrite compatible controller.
- Synchronizes with the Magicstream® Laminars as well as any other IntelliBrite compatible lights.

## ORDERING INFORMATION

Model	Description
INTB-P56W	IntelliBrite®-PAR56 WHITE 44W
INTB-P56C	IntelliBrite-PAR56 COLOR 40W

Model	Type	Mounting	Voltage	Watts	Lumen output
INTB-P56W	WHT	In most common PAR56 niche	12V	44 W	4400 lm
INTB-P56C	RGBW	In most common PAR56 niche	12V	40 W	1100 lm



# MICROBRITE™

COLOR, WHITE AND WARM WHITE LED LIGHT



MicroBrite LED Lights give pools a brilliant lighting upgrade without the installation difficulties. Only 3.5-in. long, they fit easily into standard 1.5-in. wall fittings and are suitable for retrofit into many pools with older fiber optic systems.

All Pentair UL Listed underwater lights are certified for use in fresh water with up to 6,000 ppm salinity.

## Featured Highlights

- Energy-saving, LED efficiency from the industry's most compact 12V LED plastic light
- Only 3.5 inches long, fits into narrow walls and tight spaces
- No niche required – installs in any standard 1.5 inch pool wall fitting
- Suitable for retrofit into many pools with older fiber-optic systems
- Can be installed horizontally or vertically
- Connect to any Pentair control system or the Pentair IntelliBrite® Controller
- cULus Certified

Product	Description	Voltage	Wattage
<b>Microbrite Led Light</b>			
620424-EU	MicroBrite, Color, 3 meters of cable	12V	12W
620428-EU	MicroBrite, White, 3 meters of cable	12V	12W
620457-EU	MicroBrite, Warm White, 3 meters of cable	12V	12W

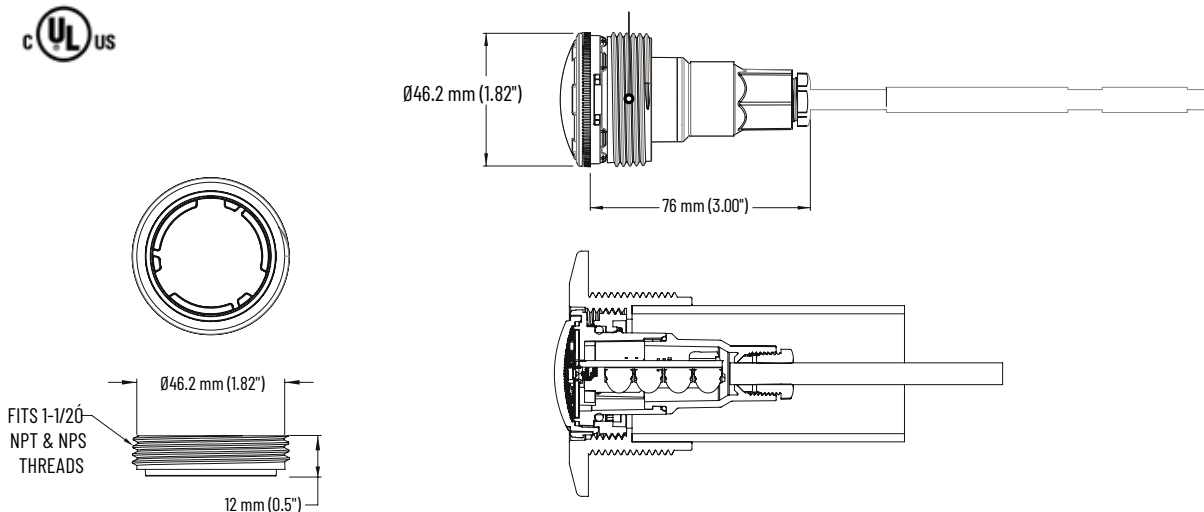
## Replacement Kits

620460	MicroBrite Light Adaptor (replacement)		
602158Z	Installation Tool (replacement)		
620463	Conduit Seal O-Ring (replacement)		

## Transformers (Landscape And Pool Rated)

619962	12V-14V		100W
619963	12V-14V		300W

## DIMENSIONS AND CERTIFICATIONS



# GLOBRITE® WHITE AND COLOR

## SHALLOW WATER LED LIGHTS



GloBrite LED Light  
Fiberglass Niche

GloBrite LED Light  
Concrete Niche

GloBrite LED Light  
Vinyl Niche

**GloBrite® LED Lights** use advanced technology for energy-efficient, high quality light displays, delivered with enhanced LED brightness and superior optics, while using 18% less energy than other shallow water LED lights. GloBrite lights are compatible with IntelliPool control systems and IntelliBrite 5g LED pool lights. GloBrite LED lighting is a brilliant way to showcase and enhance pool features like baja shelves, steps, beach entries and shallow water features.

### FEATURED HIGHLIGHTS

- The brightest and most efficient LEDs available.
- Can be placed in as little as 4 in. of water.
- Does not require grounding or bonding for quick and easy installations.
- 5 brilliant fixed colors and 7 pre-programmed light shows.
- Compatible with IntelliTouch® or EasyTouch® Control Systems for advanced control features.
- Compliments IntelliBrite® 5g LED Pool Lighting using the same fixed colors and color shows.
- Compatible with gunite, fiberglass and vinyl pools.

### ORDERING INFORMATION

Product	Voltage (VAC)	Wattage (W)	Cord Length (Ft.)	Luminosity (lm)
<b>GloBrite Color LED lights</b>				
602053	12	15	10	700
602054	12	15	15	700
602055	12	15	30	700
<b>GloBrite White LED lights</b>				
602102	12	15	30	1
602103	12	15	50	1
<b>GloBrite Niches</b>				
620040	Gunite Niche for GloBrite - Dimension : 210x115x110			1
620039	Vinyl Niche for GloBrite - Dimension : 210x115x110			1
620041	Fiberglass Niche for GloBrite - Dimension : 210x115x110			1
<b>GloBrite Kits</b>				
619993	1 GloBrite 100 ft. with 300W Transformer + Gunite Niche			1
619994	2 GloBrite 100 ft. with 300W Transformer + 2 Gunite Niches			1
620051	1 GloBrite 100 ft. with 300W Transformer + Fiberglass Niche			1
620052	2 GloBrite 100 ft. with 300W Transformer + 2 Fiberglass Niches			1
620080	1 GloBrite 100 ft. with 300W Transformer + Vinyl Niche			1
620081	2 GloBrite 100 ft. with 300W Transformer + 2 Vinyl Niches			1

### CERTIFICATIONS



# INTELLIBRITE® CONTROLLER

FOR LED COLOR SWIMMING POOLS AND SPAS LIGHTS



## FEATURED HIGHLIGHTS

- Waterproof Outdoor LED Color Light Controller.
- Quick access to all colors and shows.
- Convenient hold and recall function.
- Illuminated power button.

### Available Light Shows



SAm Mode



Party Mode



Romance Mode



California Sunset  
Mode



American Mode



Caribbean Mode



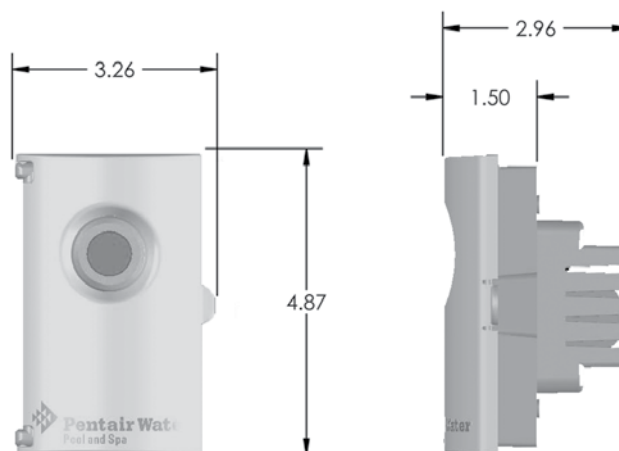
Royal Mode

**IntelliBrite®** Controller works with IntelliBrite Color Pool and Spa LED lights as well as MagicStream® Laminars. It can control and synchronize both sets of lights to create dazzling shows.

## ORDERING INFORMATION

Product	Description	Carton Qty.	Carton Wt. (Lbs.)
620139	IntelliBrite Controller 220V AC CE	1	1

## DIMENSIONS AND CERTIFICATIONS



# CONTROLBRITE™ LIGHTS CONTROLLER

WITH REMOTE CONTROL



## FEATURED HIGHLIGHTS

- Compact module, easy to install on a DIN rail in existing electric panel.
- Remote Control with up to 30m range
- Compatible with ControlPro.
- Selection of 5 fixed colors and 7 light shows.
- Convenient hold and recall function.
- Fixed color or light show numbers appears on the display.
- Includes two stickers with the numbers of the fixed color options of the light shows for easy management and convenience.

## ORDERING INFORMATION

Model	Description
CTRB-1010	ControlBrite™ Lights Controller with remote control

**PENTAIR**

**CONTROLBRITE™**

REMOTE CONTROL FOR INTELLIBRITE® LED LIGHTS

- ON / OFF
- Change from fixed colors to sequence and back
- Save actual color as user defined color (sequence mode only)
- change to next color scheme
- change to previous color scheme

### INTELLIBRITE® COLOR SCHEMES

FIXED COLORS	COLOR SEQUENCES
1 Blue	1 SAM Mode
2 Green	2 Party Mode
3 Red	3 Romance Mode
4 White	4 Carribbean Mode
5 Magenta	5 American Mode
U Recall	6 California Sunset Mode
user defined colour	7 Royal Mode

# AMERLITE®

## UNDERWATER INCANDESCENT LIGHTS WITH S/S FACE RINGS



### FEATURED HIGHLIGHTS

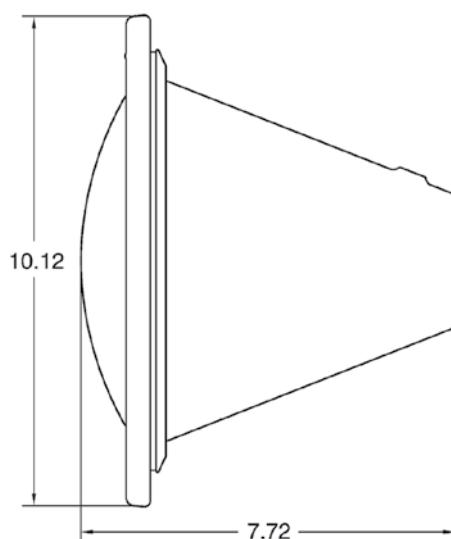
- World standard of reliability.
- Stainless steel face ring with uni-tension clamp.
- Superior light diffusion.
- Prismatic tempered lens.
- Gold diffused low water cutoff.
- Medium blue lenses available.
- Plastic snap-on face rings available for s/s lights.

**Amerlite®**, the world standard of reliability for underwater lights, features a stainless steel shell, 8-3/8 in. prismatic tempered glass lens, and stainless steel face ring with uni-tension clamp. Amerlites are UL listed to install in full-sized Pentair Pool Products, American, PacFab and Purex niches.

### ORDERING INFORMATION

Product	Voltage (V)	Wattage (W)	Cord Length (Ft.)	Carton Qty.	Carton Wt. (Lbs.)
<b>Amerlite with Stainless Steel Face Ring</b>					
78431100	12	300	15	1	10
78438100	12	300	50	1	17

### DIMENSIONS AND CERTIFICATIONS



# SPABRITE®

## INCANDESCENT LIGHTS FOR SWIMMING POOLS AND SPAS



### FEATURED HIGHLIGHTS

- Stainless steel face rings.
- Prismatic tempered glass lens.
- Stainless steel housing.
- Easy service stainless steel clamp.
- Incandescent 12 v and Halogen 120 v lamp.
- Gold diffused low water cutoff.
- Easy to service.
- Plastic snap-on colored face ring covers available.

SpaBrite® lights are available with stainless steel face rings. These lights are perfect for spas and areas where space is not available for a full-size light. SpaBrite lights install in small plastic or stainless steel Pentair niches.

### ORDERING INFORMATION

Product	Voltage (V)	Wattage (W)	Cord Length (Ft.)	Carton Qty.	Carton Wt. (Lbs.)
---------	-------------	-------------	-------------------	-------------	-------------------

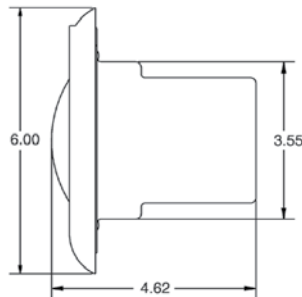
#### Spabrite Lights with Stainless Steel Face Ring

78101200	12	100	15	1	6
78108200	12	100	50	1	9

### DIMENSIONS AND CERTIFICATIONS

**Note:** All cord lengths over 50 feet on 12 volt lights create resistance that dramatically reduces the light output. This condition exists on all low voltage lights regardless of design or manufacturer.

**Notice:** Underwriters Laboratories has listed Pentair Pool Products lights for use with Pentair Pool Products, American Products, Purex, or PacFab niches only. To ensure proper grounding/bonding connections install only Pentair Pool Products lights in Pentair Pool Products, American Products, Purex, or PacFab niches.



# AQUALIGHT®

HALOGEN QUARTZ LIGHTS WITH STAINLESS STEEL FACE RING



## FEATURED HIGHLIGHTS

- Prismatic tempered glass lens.
- Stainless steel housing.
- Easy service stainless steel clamp.
- Halogen-quartz lamp.
- Gold diffused low water cutoff.
- Easy to service.
- Plastic snap-on face rings and colored lenses available.

The **Aqualight®** uses halogen quartz bulbs and designed for installation in small plastic or stainless steel Pentair niches. The light shell is high-quality stainless steel and the lens is Prismatic tempered glass.

## ORDERING INFORMATION

Product	Voltage (V)	Wattage (W)	Cord Length (Ft.)	Carton Qty.	Carton Wt. (Lbs.)
---------	-------------	-------------	-------------------	-------------	-------------------

### Aqualight Lights

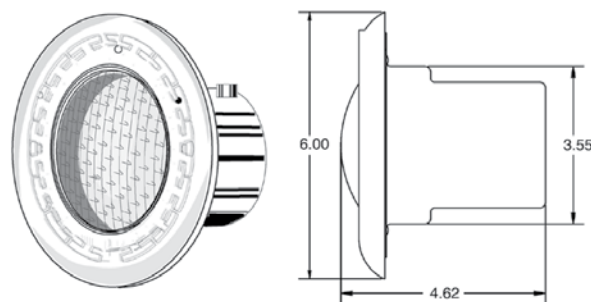
77181100	12	75	15	1	6
77188100	12	75	50	1	9

## DIMENSIONS AND CERTIFICATIONS

Note : All cord lengths over 50 feet on 12 volt lights create resistance that dramatically reduces the light output. This condition exists on all low voltage lights regardless of design or manufacturer.

Notice : Underwriters Laboratories has listed Pentair Pool Products lights for use with Pentair Pool Products, American Products, Purex, or PacFab niches only.

To ensure proper grounding/bonding connections install only Pentair Pool Products lights in Pentair Pool Products, American Products, Purex, or PacFab niches.





# AQUALUMIN® III LIGHTS

NICHELESS LIGHT FOR SWIMMING POOLS AND SPAS



## FEATURED HIGHLIGHTS

- Requires only a 3 in. hole in wall panel.
- No costly make-up panels.
- No extra braces.
- Wall hugging fit.
- Easy to service.
- Easy to install.

The **AquaLumin® III** nicheless lights provide brilliant, double contact halogen quartz lighting for all vinyl liner pools and spas. This revolutionary design uses a mounting hub and bracket instead of a niche. This light eliminates the need for pre-punched light panels, costly make-up panels and extra braces for vinyl pools.

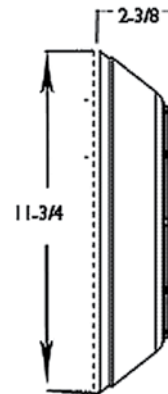
## ORDERING INFORMATION

Product	Voltage (V)	Wattage (W)	Cord Length (Ft.)	Carton Qty.	Carton Wt. (Lbs.)
<b>Aqualumin III Lights</b>					
78873500	12	100	50	1	9

## DIMENSIONS AND CERTIFICATIONS

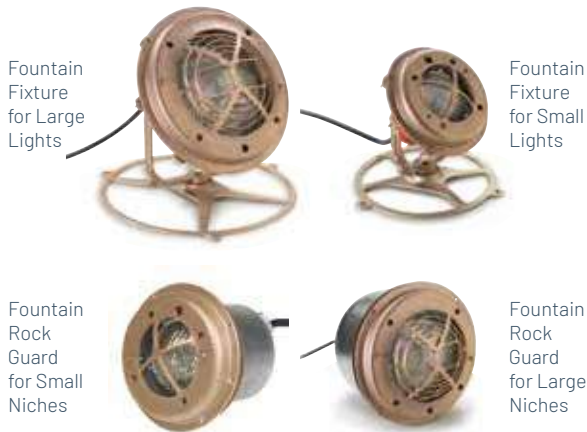
Note : All cord lengths over 50 feet on 12 volt lights create resistance that dramatically reduces the light output.

This condition exists on all low voltage lights regardless of design or manufacturer.



# FOUNTAIN LIGHTS AND FIXTURES

FOR USE IN FOUNTAINS AND PONDS



Pentair **Fountain Fixtures** are the only fixtures that offer true color lighting capabilities, as well as traditional white lighting. When combined with Pentair's SAM<sup>®</sup> light for water fountains or Pentair's SAL<sup>®</sup> automated color lights, these systems can bathe fountains in a constantly changing spectrum of color. Both large and small fixtures are designed for easy installation and for use with Pentair Pool Products lights only.

## FEATURED HIGHLIGHTS

### Fountain Fixtures

- Sturdy cast bronze construction with attractive natural bronze finish.
- Base and yoke-mount rotate 360° and pivot 180°.
- Integrated bonding lug for electrical safety.
- Innovative strain-relief prevents damage to wiring connections.
- Niche installation option available.
- Large fixture for use with the IntelliBrite<sup>®</sup> 5g Pool Light for water fountains, and Amerlite<sup>®</sup> lights listed for fountain use.
- Small fixture for use with IntelliBrite<sup>®</sup> 5g Spa Light, Aqualight<sup>®</sup>, and SpaBrite<sup>®</sup> lights listed for fountain use.
- For use with Pentair fountain fixtures and niche kits
- Same functionality and color cycles as the standard IntelliBrite<sup>®</sup> 5g for swimming pools.
- Selectable beam pattern lens for standard and wide beam angle options.

## ORDERING INFORMATION

Product	Description	Carton Qty.	Carton Wt. (Lbs.)
<b>Fountain Fixtures</b>			
560000	Fountain fixture for large lights with rock guard 1	1	15
560001	Fountain fixture for small lights with rock guard 1	1	9
<b>Fountain Rock Guards</b>			
560002	Fountain rock guard for large niches 2	1	7
560003	Fountain rock guard for small niches 2	1	4

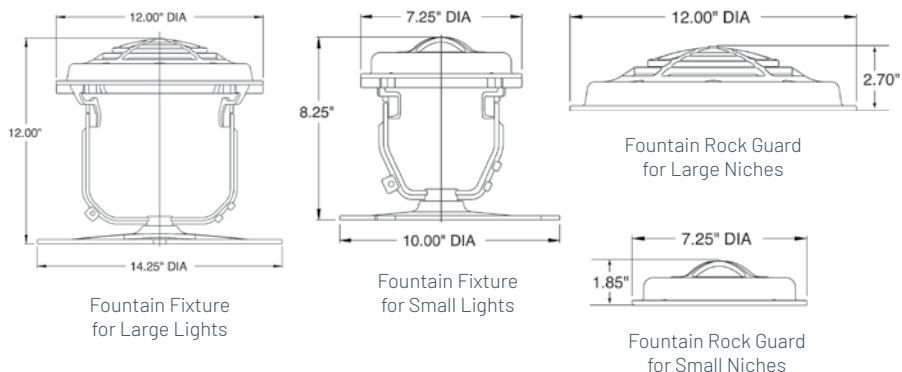
<sup>1</sup> Light is sold separately.

<sup>2</sup> Light and niche sold separately.

## DIMENSIONS AND CERTIFICATIONS



Note : Underwriters Laboratories has listed Pentair Pool Products lights for use with Pentair Pool Products, American Products, Purex, or PacFab niches only. To ensure proper grounding/ bonding connections install only Pentair Pool Products lights in Pentair Pool Products, American Products, Purex, or PacFab niches.



# PENTAIR LARGE STAINLESS STEEL NICHES

NICHES FOR SWIMMING POOLS AND SPAS



## FEATURED HIGHLIGHTS

- Niches for all installations
- Stainless steel housing
- Brass hub: 1/2, 3/4 or 1 in.
- Internal/external bonding lugs
- Vinyl niches with chrome/brass sealing rings
- Sandwich gasket for vinyl
- Powder coated sealing ring (optional).

**Large stainless steel niches** are formed with brass fittings. All niches have internal and external grounding lugs for use with either metal or PVC conduit.

## ORDERING INFORMATION

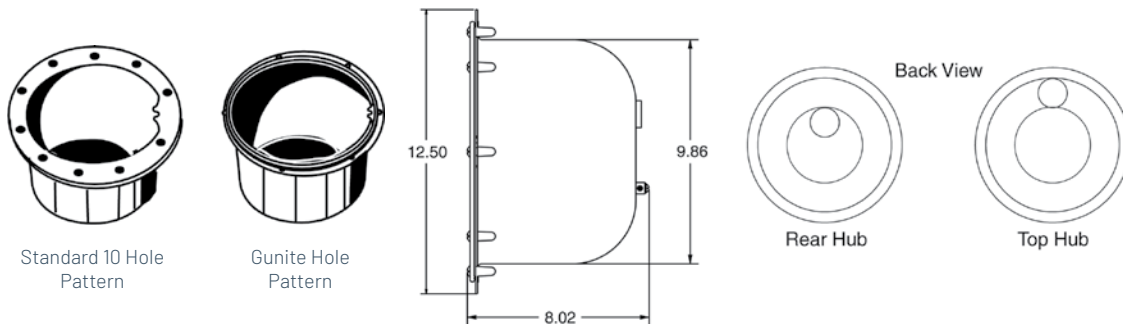
Product	Description	Carton Qty.	Carton Wt. (Lbs.)
---------	-------------	-------------	-------------------

### Large Stainless Steel Niches for Concrete Installation

78210200	1/2 in. top hub	12	3
78210300	1/2 in. rear hub	12	3
78210400	3/4 in. top hub	12	3
78210500	1 in. top hub	12	3
78210600	1 in. rear hub	12	3
78210700	3/4 in. rear hub	12	3

## DIMENSIONS AND CERTIFICATIONS

Notice : Underwriters Laboratories has listed Pentair Pool Products lights for use with Pentair Pool Products, American Products, Purex, or PacFab niches only. To ensure proper grounding/bonding connections install only Pentair Pool Products lights in Pentair Pool Products, American Products, Purex, or PacFab niches.



# PENTAIR SMALL STAINLESS STEEL NICHES

NICHES FOR SWIMMING POOLS AND SPAS



## FEATURED HIGHLIGHTS

- Stainless steel housing.
- Brass hub: 1/2, 3/4, 1 in.
- Internal/external bonding lugs.
- Vinyl niches with chrome/brass sealing rings.
- Niches for all installations.
- Sandwich gasket for vinyl.

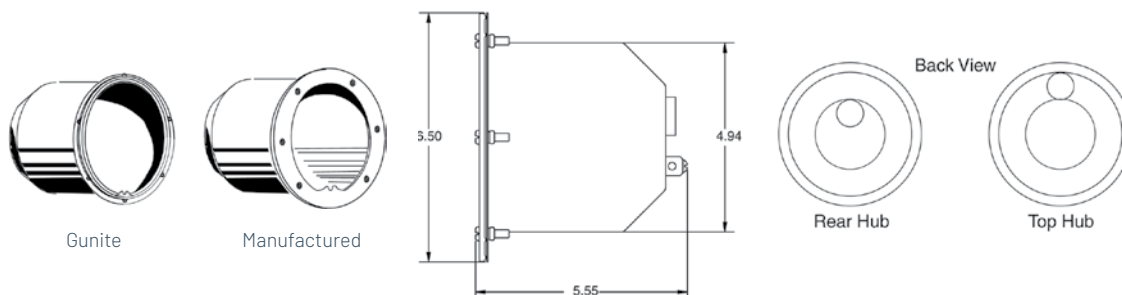
**Small stainless steel niches** are formed with brass fittings. All niches have internal and external bonding lugs and can be used with either metal or PVC conduit.

## ORDERING INFORMATION

Product	Description	Carton Qty.	Carton Wt. (Lbs.)
<b>Small Stainless Steel Niches for Concrete Installation</b>			
78244100	Concrete pools or spas, 1/2 in. rear hub	12	2
78244200	Concrete pools or spas, 3/4 in. rear hub	12	2
78244300	Concrete pools or spas, 1 in. rear hub	12	2
78243100	Concrete pools or spas, 1/2 in. top hub	12	2
78243200	Concrete pools or spas, 3/4 in. top hub	12	2
78243300	Concrete pools or spas, 1 in. top hub	12	3

## DIMENSIONS AND CERTIFICATIONS

**Notice:** Underwriters Laboratories has listed Pentair Pool Products lights for use with Pentair Pool Products, American Products, Purex, or PacFab niches only. To ensure proper grounding/bonding connections install only Pentair Pool Products lights in Pentair Product lights in Pentair Pool Products, American Products, Purex, or PacFab niches.



# PLASTIC NICHES

PLASTIC NICHES FOR SWIMMING POOLS AND SPAS

## FEATURED HIGHLIGHTS

### Gunite Plastic Niches

- Innovative cord seal grommet (Accessory sold separately).
- Large and small models.
- Rebar tie-backs.
- Plaster ring for secure sealing.
- Internal/external bonding lugs.
- High strength PVC construction.
- Rear one inch PVC hub.
- Includes 45° and 3/4 in. reducer bushings.
- Includes gunite/plaster shield.



79206600

79206700

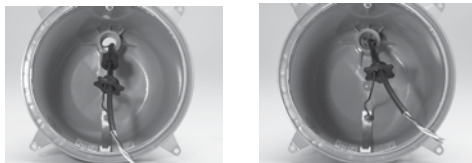
**Gunite Plastic Niches** – These plastic concrete niches are molded of high strength, corrosion resistant PVC with a one inch PVC hub. Both 45° and 3/4 in. reducer bushings are included. Gunite models feature rebar tie-backs and a plaster ring for clean, simple installations and all are packed with a gunite/plaster shield.

## ORDERING INFORMATION

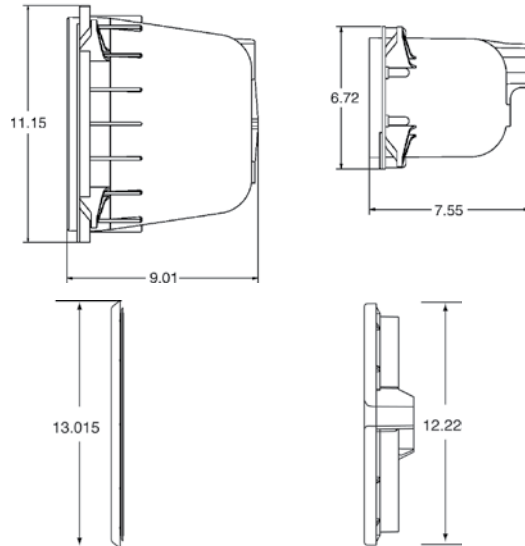
Product	Description	Carton Qty.	Carton Wt. (Lbs.)
<b>Plastic Niche - Concrete</b>			
79206600	Small PVC niche, concrete	12	2
79206700	Large PVC niche, concrete	8	3

## DIMENSIONS AND CERTIFICATIONS

**Notice:** Underwriters Laboratories has listed Pentair Water Pool and Spa, Inc. lights for use with Pentair Water Pool and Spa, Pentair Pool Products, American Products, Purex, or PacFab niches ONLY. To ensure proper grounding/bonding connections install only Pentair Water Pool and Spa lights in Pentair, Water Pool and Spa, Pentair Pool Products, American Products, Purex or PacFab niches only.



Innovative cord seal grommet accessory



# INTELLIBRITE®-E NICHE

UNIVERSAL NICHE FOR INTELLIBRITE-E POOL & SPA LIGHTS



## FEATURED HIGHLIGHTS

- Universal niche for any kind of pool structure and coating.
- Easy lock-on system with only 1/4th of turn.
- One niche for both IntelliBrite-E Pool & Spa.
- Makes IntelliBrite-E light installation & maintenance as easy as a cinch.
- Ultra compact design.

## ORDERING INFORMATION

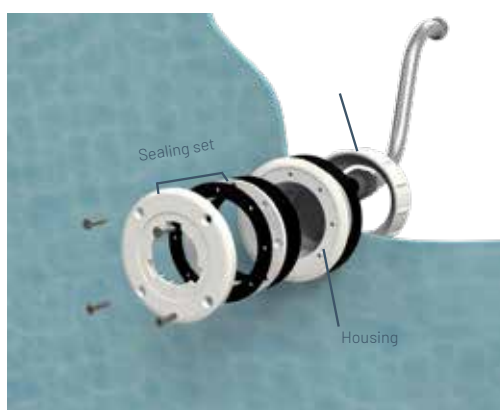
Model	Description
INTB-NICHE	IntelliBrite-E universal niche

### IntelliBrite-E Bundles

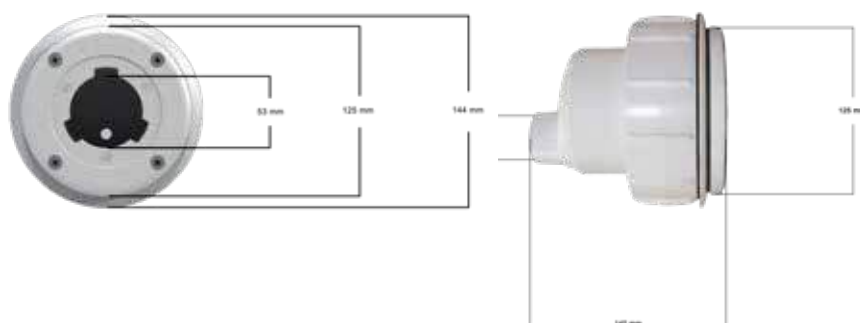
Model	Description
<b>KIT-INTB-W1</b>	<b>Niche Pack IntelliBrite-E Pool WHITE</b> including: IntelliBrite-E Pool WHITE 44W IntelliBrite-E universal niche White ABS face ring
<b>KIT-INTB-C1</b>	<b>Niche Pack IntelliBrite-E Pool COLOR</b> including: IntelliBrite-E Pool COLOR 40W IntelliBrite-E universal niche White ABS face ring
<b>KIT-INTB-W2</b>	<b>Niche Pack IntelliBrite-E Spa WHITE</b> including: IntelliBrite-E Spa WHITE 14W IntelliBrite-E universal niche White ABS face ring
<b>KIT-INTB-C2</b>	<b>Niche Pack IntelliBrite-E Spa COLOR</b> including: IntelliBrite-E Spa COLOR 12W IntelliBrite-E universal niche White ABS face ring



IntelliBrite-E Niche in concrete pool with liner\*



IntelliBrite-E Niche in polyester pool\*\*/\*\*



\* Flexible cable (H-NICHE-CON) not included

\*\* Colored face ring, please contact Pentair

# INTELLIBRITE®-E ACCESSORIES

UNIVERSAL NICHE FOR INTELLIBRITE-E POOL & SPA LIGHTS



IntelliBrite®-E POOL  
Face rings



IntelliBrite®-E SPA  
Face rings for niche



IntelliBrite®-E SPA  
Face rings for wall fittings

## Face rings

Model	Description	Color
INTB-2060	IntelliBrite-E Pool face ring	White
INTB-2061		Almond
INTB-2062		Silver grey
INTB-2063		Anthracite
INTB-2064		Stainless steel
INTB-2080	IntelliBrite-E Spa face ring for niche mounting*	White
INTB-2081**		Almond
INTB-2082**		Silver grey
INTB-2083**		Anthracite
INTB-2084**		Stainless steel
INTB-2090	IntelliBrite-E Spa face ring for wall fitting mounting	White
INTB-2091		Almond
INTB-2092		Silver grey
INTB-2093		Anthracite
INTB-2094		Stainless steel

\*Adaptor and tool provided

Not applicable for polyester pools, please contact Pentair\*\*



G-DECKBOX-1



G-VAC-LIN



G-WALL-LSH



G-WALL-LLO



H-NICHE-CON

## Accessories

Model	Description
G-DECKBOX-1	Deck Box
INTB-NICHE	IntelliBrite-E universal niche with flexible cable ( see next page)
G-WALL-LLO	Wall fitting 2" L= 300mm
G-WALL-LSH	Wall fitting 2" L= 250mm
G-VAC-LIN	Wall fitting adaptor ring 1.5" (f) to 2" (m)
H-NICHE-CON	Flexible cable for IntelliBrite-E niche

# LIGHT ACCESSORIES AND JUNCTION BOXES

ADD-ON FEATURES AND ACCESSORIES FOR ALL PENTAIR LIGHTS



## FEATURED HIGHLIGHTS

### Kwik-Change Lens Covers

- Powder coated vinyl niche sealing ring.
- Snap-on plastic face rings available for s/s lights.
- Available in 3 sizes: 1/2, 3/4 & 1 in.
- Polycarbonate cover with brass base.
- Built-in strain relief.
- UL listed.

Our optional **light and niche features** are designed to enhance our standard products and accommodate your specific project requirements.

## ORDERING INFORMATION

Product	Description	Carton Qty.	Carton Wt. (Lbs.)
---------	-------------	-------------	-------------------

### Kwik-Change Lens Covers

650019	SpaBrite/AquaLight lens, 6 assorted colors	1	0.5
78883700	AquaLumin (3 assorted colors)	1	0.8
78900100	Amerlite/AmerQuartz lens (3 colors - red, green, blue)	12	2

### Snap-On Plastic Face Rings for Amerlite

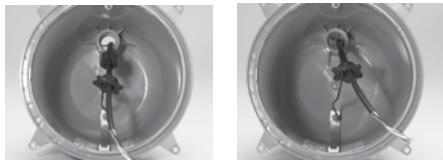
79212111	Black	1	0.01
79212100	White	1	0.01
79212165	Grey	1	0.01

### Snap-On Plastic Face Rings for Spabrite/Aqualight

79212200	White	1	0.01
79212211	Black	1	0.06
79212265	Grey	1	0.06

### Niches Accessories

H-NICHE-CON	Flexible hose 1.5M with 3/4" thread		
670044	Cord seal grommet kit	3	1



Innovative cord seal grommet accessory (p/n 670044)

Product	Description	Carton Qty.	Carton Wt. (Lbs.)
---------	-------------	-------------	-------------------

### Lens, Covers, And Face Rings For Amerlite

79100100	Clear Lens, tempered	1	1
79100200	Medium Blue Lens, tempered	1	1/2
78900100	Plastic Snap-on Color Lens Kit (Blue, Green, Red)	1	1
79110600	Stainless Steel Face Ring	1	1/2
79213100	Plastic Snap-on face ring (white), Qty. 24	24	2
79212100	Plastic Snap-on face ring (White) Qty. 1	1	1/2
79212165	Plastic Snap-on face ring (Grey) Qty. 1	1	1/2
79212111	Plastic Snap-on face ring (Black) Qty. 1	1	1/2



H-NICHE-CON

## CERTIFICATIONS



LISTED



# TRANSFORMERS

FOR SWIMMING POOL LIGHTS AND LAMINARS



## ORDERING INFORMATION

Product	Description
05278-0300	Safety isolating transformer 12V 1 x 300WATT
05278-0600	Safety isolating transformer 12V 2 x 300WATT
G-EVGM-300	Safety isolating transformer 12V/13V/14V 1 x 300WATT
INTB-0100	Safety isolating transformer 12V/13V/14V 1 x 100W (VA)
INTB-0300	Safety isolating transformer 12V/13V/14V 1 x 300W (VA)

AUTOMATION

FILTERS

VALVES

PUMPS

HEATERS &  
HEAT PUMPS

LIGHTING

CLEANERS

WATER  
FEATURES

CHEMICAL  
CONTROLLERS  
& SANITIZERS

WHITE  
GOODS

MAINTENANCE  
& SAFETY

LIFTS & DECK  
EQUIPMENT

SPA

# UNDERWATER SPEAKERS

SUPERB COLLECTION OF UNDERWATER SPEAKERS



Sealed speaker for an underwater communication system between coach and swimmers, for providing background music for synchronized swimming and for scuba instruction. One speaker required for each 900 sq. ft. of pool surface area in deep water and one per 1200 sq. ft. in shallow area. Speakers are installed flush in niches within the pool wall and are covered by a protective grille. UL listed and recommended for use with Paragon niche.

## UW30 UNDERWATER LOUD SPEAKER

A single 30-watt speaker adequately covers a 30' x 30' pool. Encased in blue high-impact ABS cover and sealed for underwater use to a depth of up to 10 feet. (Niche and grill sold separately).

50' cord I.D. No. 68101-1

## NICHE FOR UW30 SPEAKER

Heavy-duty, cast bronze construction with 3/4" IPS threaded connection. Includes mounting hardware. Recommended mounting location is up to 4 feet below surface of the water and flush with the pool wall.

I.D. No. 68102

## STAINLESS STEEL GRILLE

Mounts flush with pool wall.  
I.D. No. 68103SS

## FEATURED HIGHLIGHTS

### Fountain Fixtures

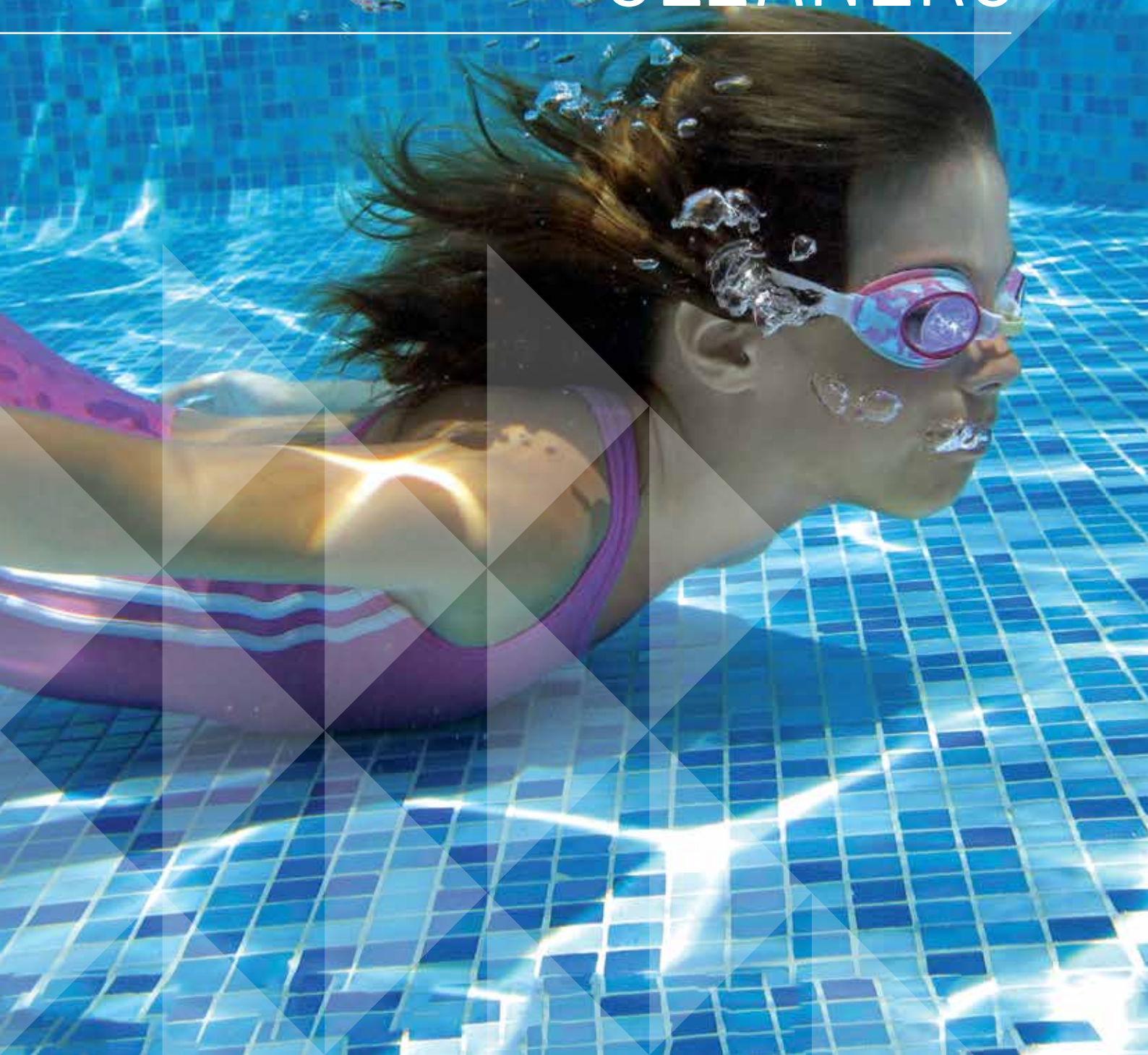
- Sturdy cast bronze construction with attractive natural bronze finish.
- Base and yoke-mount rotate 360° and pivot 180°.
- Integrated bonding lug for electrical safety.
- Innovative strain-relief prevents damage to wiring connections.
- Niche installation option available.
- Large fixture for use with the IntelliBrite® 5g Pool Light for water fountains, and Amerlite® lights listed for fountain use.
- Small fixture for use with IntelliBrite® 5g Spa Light, Aqualight®, and SpaBrite® lights listed for fountain use.
- For use with Pentair fountain fixtures and niche kits
- Same functionality and color cycles as the standard IntelliBrite® 5g for swimming pools.
- Selectable beam pattern lens for standard and wide beam angle options.







# CLEANERS



# PROWLER - P10 & P20

## ROBOT SWIMMING POOL CLEANERS



PROWLER P10



PROWLER P20



### FEATURED HIGHLIGHTS

- Light and ergonomic
- Methodical and effective
- Easy to maintain

#### Easy to carry and ergonomic

Very thin with ultra-compact dimensions and weighing less than 6 kg, it is as easy to carry as a small school bag.

Equipped with a very fast water drain coupling system, taking it out of the water is a real joy.

Its design makes its transport, storage and also taking it out of your pool quicker and easier.

#### Methodical and effective

Fitted with a smart navigation system, our little fish starts by:

- Scanning the pool,
- Optimising its cleaning,
- Adapting its speed to the slope of the pool.

It does its job perfectly during its cycle with minimal energy consumption, leaving you more time to enjoy your pool.

You will appreciate its perfect movement and turning, made possible by its two motors and its drive system.

You will admire it elegantly climbing the walls and obstacles.

#### Easy to maintain

Very comfortable in the water, the robot moves smartly, to the right, to the left, forwards and backwards, to avoid tangling its cable.

Once your pool is clean, access to the filter and cleaning are very easy. You simply need to press the button located on the front of the robot to open the cover and flush the filter(s) with water: child's play!

Get more out of your pool by reducing maintenance times.

### FEATURES & BENEFITS

Ultra light < 6kg, Hyper compact dimensions, No cable entanglement



Easy to carry and ergonomic

High suction flow rate, Smart navigation with automatic course correction, Optimal displacement



Methodical and efficient cleaning of the whole pool

Filtration 100 microns, Ultra easy top access, Basket easy to clean with a garden hose



Fine filtration – quick to clean

The connected system



Allows you to register your robot pool cleaner online and control it remotely.

# PROWLER - P10 & P20

ROBOT SWIMMING POOL CLEANERS



## PROWLER RC APPLICATION

### PROWLER RC

Thanks to the Prowler RC application, you can easily register your robot pool cleaner online and control it remotely, activate cleaning programs and set the timer. Easily control your Prowler P20 robot cleaner in your pool.



PART NUMBER		PROWLER P10	PROWLER P20
POOL	Size	30 m <sup>2</sup> - length up to 8 m	70 m <sup>2</sup> - length up to 12 m
	Shape	All shapes and finishes	All shapes and finishes
EQUIPMENT	Length of floating cable	12 m	18 m
	Type of filter	Single-layer filtration	Double-layer filtration
	Access to the filter	From the top of the robot	From the top of the robot Filter full indicator
	Type of brush	PVC brushes	PVC brushes
CLEANING	Type of cleaning	Bottom	Bottom, sides and water line
	Cycle duration	1 h 30 min	1 h 30 min, 2 h or 2 h 30 min
	Remote control	Not available	Mobile application
	Navigation technology	Smart Navigation Gyroscope Inlet span detection	Smart Navigation Gyroscope Inlet span detection
WARRANTY		1 Year	1 Year

# BLUEREBEL™

SUCTION-SIDE CLEANERS FOR INGROUND SWIMMING POOLS

**KREEPY KRAULY®**



## FEATURED HIGHLIGHTS

- Easy to install, set it and forget it.
- Two wheel design for outstanding manoeuvrability in tight spaces
- Climbs 90° angles - cleans up to the water line
- Programmed steering assures complete, thorough cleaning coverage
- Exceptional Turbine design allows dirt and debris to easily pass through Rebel - unlike competing models
- Excellent performance with variable speed pumps at low flow rates for super efficient operation
- Suction cleaning as from 6m<sup>3</sup>/h.

## ORDERING INFORMATION

Product	Description	Pcs/ pallet
<b>Kreepy Krauly BlueRebel</b>		
360275-EU	Automatic Suction-side pool cleaner including 10,3m hose and accessories	33

# GREAT WHITE®

SUCTION-SIDE CLEANERS FOR INGROUND SWIMMING POOLS

**KREEPY KRAULY®**



## FEATURED HIGHLIGHTS

- Innovative bristle drive dislodges tough dirt and debris for quick and thorough cleaning.
- Programmed steering easily navigates around pool obstacles for uninterrupted cleaning.
- Cuts a wide 15» path for quick cleaning.
- Free Vac-Port door fitting installation into dedicated vacuum line.
- Adjustable regulator valve and free flow gauge let you set just the right cleaning speed to assure the most affective cleaning.
- No assembly required. Just hook to hose and go.

The **Kreepy Krauly® Great White®** scrubs and vacuums away the toughest dirt. Its innovative bristle-drive mechanism has the strength to knock loose the most stubborn dirt, while the powerful vacuum action whisks away small and large debris. Well suited for flat, dish-incline and hopper-bottom pools.

## ORDERING INFORMATION

Product	Description	Carton Qty.	Carton Wt. (Lbs.)
<b>Kreepy Krauly Great White</b>			
GW9500	Great White Automatic Pool Cleaner for Inground Pools	1	15



# SANDSHARK™

SUCTION-SIDE CLEANERS FOR INGROUND SWIMMING POOLS

KREEPY KRAULY®



## FEATURED HIGHLIGHTS

- SmartTrac programmed steering system maneuvers around tight corners, ladders, and obstacles to assure fast, thorough cleaning performance. It cleans faster than random-style cleaners reducing the possibility of missed spots.
- Vac Port Door Fitting has a spring-loaded cover for added safety, and must be opened with a tool.

Foot pad features multiple rows of squeegee-like fins which easily dislodge stubborn dirt and debris. Cuts a 12 in. wide cleaning path and easily cleans gunite, fiberglass and vinyl surfaces in all types of inground pools.

## ORDERING INFORMATION

Product	Description	Carton Qty.	Carton Wt. (Lbs.)
<b>Kreepy Krauly SandShark</b>			
GW7900	SandShark Automatic Pool Cleaner for Inground Pools	1	15

# KRUISER™

SUCTION-SIDE CLEANERS FOR INGROUND SWIMMING POOLS

KREEPY KRAULY®



## FEATURED HIGHLIGHTS

- Superior vacuum power and extra-wide mouth capture large and small debris with ease.
- Silent flapper design provides quiet cleaning performance.
- Patented seal design includes specially engineered slits and "fingers" to assure the unit won't get stuck or thrown off course by main drains, tight corners, eyeball fittings, and lights.
- Built-in bumper assures free movement around steps and ladders for total cleaning coverage and uninterrupted, hands-free operation.
- Installs in minutes without tools to skimmer.

**Kreepy Krauly® Cruiser™** features many design elements shared by the most popular suction-side cleaner in history, the Kreepy Krauly® Classic. Then we added performance features to make Kreepy Cruiser relentless in its pursuit of dirt and debris, while keeping it affordable and sensationally dependable.

## ORDERING INFORMATION

Product	Description	Carton Qty.	Carton Wt. (Lbs.)
<b>Kreepy Krauly Cruiser</b>			
K60430	Kruiser Inground Pool Cleaner	1	17

# 'LIL SHARK™

SUCTION-SIDE CLEANERS FOR ABOVEGROUND SWIMMING POOLS

**KREEPY KRAULY®**



## FEATURED HIGHLIGHTS

- 2-way cleaning, removes even the toughest dirt.
- Scrubs pool floor with its patented bristles
- Includes adaptor piece to hook up the cleaner to a telescopic pole for the hard to reach areas
- Suction cleaning as from 6 m<sup>3</sup>/h
- New design.

## ORDERING INFORMATION

Product	Description	Pcs/ pallet
<b>Kreepy Krauly 'Lil Shark</b>		
360100-EU	The 'Lil Shark comes fully equiped, including 10m hose and accessories	20

Robotic Pool Cleaner | Elektrischer Reinigungsroboter | Electriche zwembadrobot | Robot Nettoyeur de Piscine | Limpiafondos eléctricos | Pulitori elettrici

# BLUESTORM®

















## FEATURED HIGHLIGHTS



- Multi-JetNav - Patented motion system combining linear moves and on-the-spot rotations for smart grid cleaning and optimal pool coverage.
- Sense'n'Go - Patented system with automatic route optimization based on obstacle detection. Adapts to all pool shapes, does not stop moving.
- Floor cleaning of above-ground or in-ground pools
- Pools up to 10x5m
- All shapes.
- Flat pool bottoms or gentle slopes
- All types of coating
- Delivered with two filters (40 and 25 microns)



Product	Description	Pcs / pallet
BSTR-1010	Blue Storm Robotic Pool Cleaner	8

						
	Description	Beschreibung	Beschrijving	Description	Descripción	Descrizione
	Works all year round, also in cold water down to 1°C.	Funktioniert das ganze Jahr über, auch in kaltem Wasser bis 1°C.	Functioneert het hele jaar door, ook in koud water vanaf 1°C.	Eau Froide >1°C Fonctionne toute l'année	Funciona durante todo el año, incluso en agua fría hasta 1°C.	Funziona tutto l'anno, anche in acque particolarmente fredde fino a 1°C.
	Hassle-free: a high-resistance motor, no brushes, no gears, no belts.	Sorgenfrei: ein einzigartiger, sehr widerstandsfähiger Motor ohne Bürste, ohne Getriebe und ohne Antriebsriemen.	Onderhoudsvrij: een robuuste motor, geen borstels, geen transmissie, geen mechanische aandrijving.	Sans soucis Un moteur unique haute résistance, sans brosse, sans engrenages, sans courroies.	Sin preocupaciones: un motor de alta resistencia, sin cepillos, sin engranajes, sin correas.	Senza pensieri: un motore unico a elevata resistenza, senza spazzole, senza ingranaggi, senza cinghie.
	Maintenance is straightforward and affordable.	Easy Service: einfache und kostengünstige Wartung.	Eenvoudig en betaalbaar onderhoud.	Easy service Entretien simple et abordable.	Mantenimiento sencillo y asequible.	Easy service: manutenzione semplice e veloce.
	12-meter-long cable.	12 m Kabel.	12 meter kabel.	Câble de 12 mètres	Cable de 12 metros.	Cavo da 12 metri.
	Hotline and replacement available within 72 hours.	Service-Hotline: Ersatzteile innerhalb von 72 Stunden verfügbar.	Hotline en vervanging binnen 72 uur beschikbaar.	Hotline & Reparation Express Engagement 72 heures.	Asistencia telefónica y posibilidad de des-cambiar el producto en 72 horas.	Hotline e possibile sostituzione entro 72 ore.
	Lightweight (only 6kg).	Federleicht (nur 6 kg).	Lichtgewicht (maar 6 kg).	Poids plume Seulement 6 kg.	Peso pluma (solo 6 kg).	Peso : (solo 6kg).
	Gentle cleaning with no damage, guaranteed not to leave marks, scratches or wear away the liner.	Sanfte Reinigung ohne Abrieb, hinterlässt garantiert keine Spuren, Kratzer oder Abnutzungen auf der Folie.	Zachte reiniging zonder wrijving, gegarandeerd zonder vlekken, krassen en slijtage van de liner.	Nettoyage en douceur Sans abrasion, garanties sans marques, ni usure du liner.	Limpieza suave sin abrasión: garantiza la ausencia de marcas, rayas y desgaste del revestimiento.	Pulizia delicata, senza abrasioni, non lascia segni, righe o usura del liner.
	Night Cruize™ - a bluish lightbeam illuminates the pool during nighttime clean.	Night Cruize™: Während der nächtlichen Reinigung beleuchtet ein bläulicher Lichtstrahl dezent das Becken.	Night Cruize™ - een blauwe lichtstraal licht het zwembad op bij reiniging in het donker.	Night Cruize™ Un faisceau lumineux bleuté illumine discrètement le bassin	Night Cruize™ - un discreto haz luminoso en tonos azulados ilumina la piscina durante la limpieza nocturna.	Night Cruize™ Un fascio luminoso che illumina con discrezione la vasca durante la pulizia notturna.
	External Timer Mode - connect the control unit with a timer and schedule your daily cleaning cycle.	Externer Timer-Modus. Schließen Sie den Reiniger an eine programmierbare Zeitschaltuhr an und planen Sie Ihren täglichen Reinigungszyklus.	External Timer Mode - connecteer de controle-eenheid met een externe tijds-klok en plan uw dagelijkse reinigingscyclus.	Mode Horloge externe Asservissement via une prise programmable	Modo temporizador externo: conecte la unidad de control a un temporizador y planifique su ciclo de limpieza diario.	Per la modalità orologio esterna, basta collegare il dispositivo a una presa programma-bile e programmare il ciclo di pulizia quotidiano.
	Easy-to-clean, high capacity, transparent debris holder with removable filter bag.	Transparenter, leistungsstarker Filterbehälter mit herausnehmbarem Filter für einfache, rasche Reinigung.	Eenvoudig te reinigen, grote, transparante vuilhouder met afneembare filterzak	Nettoyage facile Bac filtrant transparent grande capacité avec filtre amovible.	Cesta transparente de gran capacidad para residuos con bolsa filtrante extraíble para una limpieza fácil y rápida.	Sacco filtrante trasparente di grande capacità, con filtro rimovibile per una pulizia facile e rapida.

AUTOMATION

FILTERS

VALVES

PUMPS

HEATERS &amp; HEAT PUMPS

LIGHTING

CLEANERS

WATER FEATURES

CHEMICAL CONTROLLERS &amp; SANITIZERS

WHITE GOODS

MAINTENANCE &amp; SAFETY

LIFTS &amp; DECK EQUIPMENT

SPA





# WATER FEATURES



# MAGICFLAME™

## FIRE AND WATER BOWL



### FEATURED HIGHLIGHTS

Dazzle a backyard oasis with the flickering of flames or relax to the soothing sounds of falling water with MagicFlame. With five finish options to match most poolside decors, MagicFlame is the perfect pool accessory to make backyards a step away from paradise. Made with durable glass fiber reinforced concrete, MagicFlame can add warmth to pool ambiances and activate the swimming senses for years to come.

- 5 finishes to match most poolscape décor
- Glass fiber reinforced concrete bowls for ultimate longevity; complete with weatherproof and anti-corrosion enclosure
- Electronic ignition calls for easy operation with the flip of a switch or push of a button
- Simple installation with only two wires to hook up to a voltage relay or a transformer, sold separately
- Gas-fueled fire appliance creates the natural ambiance of a flame without smoke or byproducts, enabling users to safely enjoy the fire
- Pair with a Pentair Automation System to light up backyards from anywhere, anytime

## FIRE UP BACKYARDS WITH MAGICFLAME FIRE AND WATER BOWL!



# MAGICFLAME™

## FIRE AND WATER BOWL

### Designed to warm up every backyard oasis.

Create the ideal pool ambiance with our assortment of MagicFlame design options. With five different finishes, various accessories and two bowl shapes in lava rock or fire glass textures, pool owners can curate a soothing and warm backyard scene.



Bronze Round



Pewter Round



Natural Round



White Round



Black Round

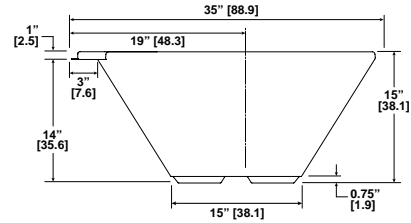
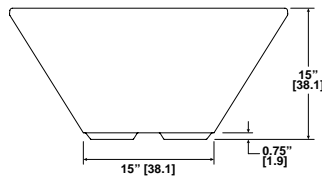
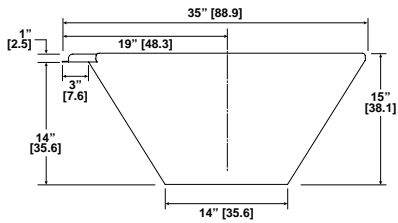
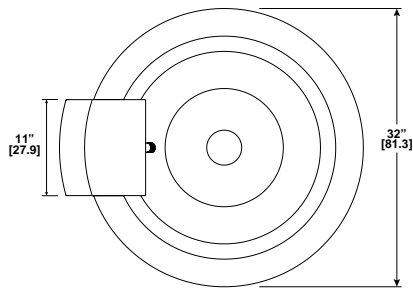
### ORDERING INFORMATION

Product	Description	Weight (LBS)	Dimensions
580165	Round 32» Fire Only Bowl, 12V, Bronze	245	42"X42"X25"
580166	Round 32» Fire Only Bowl, 12V, Pewter	245	42"X42"X25"
580167	Round 32» Fire Only Bowl, 12V, Natural	245	42"X42"X25"
580168	Round 32» Fire Only Bowl, 12V, White	245	42"X42"X25"
580169	Round 32» Fire Only Bowl, 12V, Black	245	42"X42"X25"
580170	Round 32» Fire and Water Bowl, 12V, Bronze	245	42"X42"X25"
580171	Round 32» Fire and Water Bowl, 12V, Pewter	245	42"X42"X25"
580172	Round 32» Fire and Water Bowl, 12V, Natural	245	42"X42"X25"
580173	Round 32» Fire and Water Bowl, 12V, White	245	42"X42"X25"
580174	Round 32» Fire and Water Bowl, 12V, Black	245	42"X42"X25"
580175	Round 32» Water Only Bowl, Bronze	245	42"X42"X25"
580176	Round 32» Water Only Bowl, Pewter	245	42"X42"X25"
580177	Round 32» Water Only Bowl, Natural	245	42"X42"X25"
580178	Round 32» Water Only Bowl, White	245	42"X42"X25"
580179	Round 32» Water Only Bowl, Black	245	42"X42"X25"
580180	Square 32» Fire Only Bowl, 12V, Bronze	245	42"X42"X25"
580181	Square 32» Fire Only Bowl, 12V, Pewter	245	42"X42"X25"
580182	Square 32» Fire Only Bowl, 12V, Natural	245	42"X42"X25"
580183	Square 32» Fire Only Bowl, 12V, White	245	42"X42"X25"
580184	Square 32» Fire Only Bowl, 12V, Black	245	42"X42"X25"
580185	Square 32» Fire and Water Bowl, 12V, Bronze	245	42"X42"X25"
580186	Square 32» Fire and Water Bowl, 12V, Pewter	245	42"X42"X25"
580187	Square 32» Fire and Water Bowl, 12V, Natural	245	42"X42"X25"
580188	Square 32» Fire and Water Bowl, 12V, White	245	42"X42"X25"
580189	Square 32» Fire and Water Bowl, 12V, Black	245	42"X42"X25"
580190	Square 32» Water Only Bowl, Bronze	245	42"X42"X25"
580191	Square 32» Water Only Bowl, Pewter	245	42"X42"X25"
580192	Square 32» Water Only Bowl, Natural	245	42"X42"X25"
580193	Square 32» Water Only Bowl, White	245	42"X42"X25"
580194	Square 32» Water Only Bowl, Black	245	42"X42"X25"

# MAGICFLAME™

## FIRE AND WATER BOWL

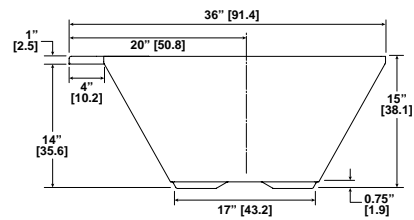
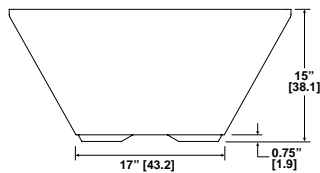
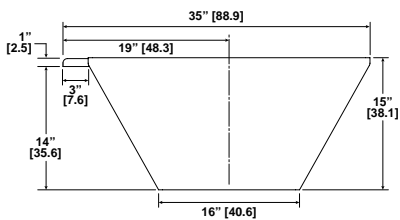
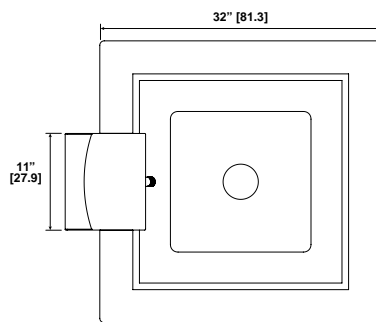
### DIMENSIONS



WATER BOWL - ROUND	
Bronze	580175
Pewter	580176
Natural	580177
White	580178
Black	580179

FIRE BOWL - ROUND	
Bronze	580165
Pewter	580166
Natural	580167
White	580168
Black	580169

FIRE/WATER BOWL - ROUND	
Bronze	580170
Pewter	580171
Natural	580172
White	580173
Black	580174



WATER BOWL - SQUARE	
Bronze	580190
Pewter	580191
Natural	580192
White	580193
Black	580194

FIRE BOWL - SQUARE	
Bronze	580180
Pewter	580181
Natural	580182
White	580183
Black	580184

FIRE/WATER BOWL - SQUARE	
Bronze	580185
Pewter	580186
Natural	580187
White	580188
Black	580189



# MAGICSTREAM® DECK JET I & DECK JET II

GRACEFULL WATERARCS



Deck Jet



Deck Jet II



## FEATURED HIGHLIGHTS

### Deck Jet

- Deck Jet includes five interchangeable water effect eyeballs that are easy to remove and simple to change. Also Includes construction shield.
- Streams reach to eight feet, and direction can be easily adjusted.
- Low water pressure requirement for minimum impact on pump performance.

### Deck Jet II

- Height is adjustable to a maximum of six feet. Water direction is adjustable up to 360 degrees.
- Easy-to adjust nozzles enable your creativity : concentrate all streams into a single entry point, overlap streams of different heights, or create a symmetrical, multi-stream archway... and more.
- Quality design assures low water flow requirements and eliminates any concerns about standing water or unwanted debris collection.
- Attractive installation with no unsightly or unsafe edges or screws.

**Deck Jet** water effects can be cast into concrete decks and gunite pool walls, mounted in the sidewall of aboveground and vinyl-lined pools, or blended into surrounding landscapes.

MagicStream® **Deck Jet II** creates a graceful arc of water that enters the pool with a gentle splash. The stream seems to appear magically from the pool deck since the jet installs flush and out of sight.

## ORDERING INFORMATION

Product	Description	Carton Qty.	Carton Wt. (Lbs.)
<b>Deck Jet</b>			
580000	Magic Stream® Deck Jet	1	1
<b>Deck Jet II</b>			
580003	Magic Stream® Deck Jet II	4	3

# MAGICSTREAM® LAMINAR

COLOR-CHANGING WATER ARCS



**MagicStream® Laminars** create totally clear, uniform arcs of moving water that originate from either your pool deck or surrounding landscape. At night, these translucent streams are brilliantly colored with either an LED light source. The result is a water effect that adds an elegant bit of entertainment to your poolscape.

## FEATURED HIGHLIGHTS

- Laminar water streams can reach up to 7 feet high and project outward up to 8 feet into your pool, spa, or other water feature.
- Choose energy efficient LED lighting for a nearly endless array of color choices. Nighttime lighting effects include the ability to hold on a steady color or scroll through a range of available colors.
- Installation is made flush to your deck or other surface; no unsightly or unsafe edges, just the magic of water erupting from a hidden source.
- Water streams are easily adjusted in two ways - vertically from 62 degrees to 75 degrees to create different heights and arc shapes. Left and right direction can be adjusted up to 60 degrees total.
- Laminar deck lids are available in tan, black, and gray to match or complement pool deck or other installation surface.
- LED Laminars include 100 ft. of electrical cable; simply connect to a 120/12VAC-100 Watt pool lighting transformer to provide power.
- The technical principal behind MagicStream Laminars is to remove all turbulence and air bubbles from the water before projecting it through a finely-machined nozzle. The laminar water flow is very non-turbulent, so it keeps its surface tension and flows through the air in a smooth, clean, unbroken stream, instead of spraying apart into droplets.
- Magic Stream Laminars ship fully assembled and ready to install.

## ORDERING INFORMATION

Product	Description	Carton Qty.	Carton Wt. (Lbs.)
---------	-------------	-------------	-------------------

### Magicstream Laminars

580001B	Laminar LED, Black Lid (LED light requires 12V power)	1	21
580001G	Laminar LED, Grey Lid (LED light requires 12V power)	1	21
580001T	Laminar LED, Tan Lid (LED light requires 12V power)	1	21

## DIMENSIONS AND PERFORMANCE

Laminars Performance Data			
Gallons (US GPM)	6.0	7.5	8.5
Inlet Pressure (psi)	2.5	3.5	4.5
Height of Jet (Ft.)	5.0	6.0	7.0



# MAGICFALLS®

## WATER FALLS



Sheet Waterfall Effect



Arc Sheet Waterfall Effect



Rainfall Effect



Arc Rainfall Effect

### ORDERING INFORMATION

Product	Description
<b>Sheet-Effect</b>	
581201FSW	MagicFalls® SHEET 300mm (1') White - 150mm (6") depth
581218FSW	MagicFalls® SHEET 450mm (18") White - 150mm (6") depth
581202FSW	MagicFalls® SHEET 600mm (2') White - 150mm (6") depth
581203FSW	MagicFalls® SHEET 900mm (3') White - 150mm (6") depth
581107FSW	MagicFalls® SHEET 2134mm (7') White - 25mm (1") depth
<b>Arc Sheet-Effect</b>	
581201ASW	MagicFalls® ARC SHEET 300mm (1') White - 150mm (6") depth
581218ASW	MagicFalls® ARC SHEET 450mm (18") White - 150mm (6") depth
581202ASW	MagicFalls® ARC SHEET 600mm (2') White - 150mm (6") depth
<b>Rainfall-Effect</b>	
581201FRW	MagicFalls® RAINFALL 300mm (1') White - 150mm (6") depth
581218FRW	MagicFalls® RAINFALL 450mm (18") White - 150mm (6") depth
581202FRW	MagicFalls® RAINFALL 600mm (2') White - 150mm (6") depth
581203FRW	MagicFalls® RAINFALL 900mm (3') White - 150mm (6") depth
<b>Arc Rainfall-Effect</b>	
581201ARW	MagicFalls™ ARC RAINFALL 300mm (1') White - 150mm (6") depth
581218ARW	MagicFalls™ ARC RAINFALL 450mm (18") White - 150mm (6") depth
581202ARW	MagicFalls™ ARC RAINFALL 600mm (2') White - 150mm (6") depth
581203ARW	MagicFalls™ ARC RAINFALL 900mm (3') White - 150mm (6") depth

### DIMENSIONS AND PERFORMANCE

Sheet Waterfall Effect

Arc Sheet Waterfall Effect

Rainfall Effect

Arc Rainfall Effect

A mm	B mm
227,0	113,5
328,7	164,3
481,0	240,5
633,5	316,7
938,3	469,1

# COLORVISION® LED LIGHT BUBBLER

WITH GLOBRITE LED LIGHTS



## FEATURED HIGHLIGHTS

- Energy efficient color LED lights with vibrant colors
- Provides 5 brilliant fixed colors, 7 dazzling light shows.
- Designed for 2 in. - 10 in. of water depth.
- Plume height up to 24 in.
- Low voltage operation of 12 VAC / 15W.
- Cord length available in 30 ft., 50 ft., 100 ft. or 150 ft.
- Low flow requirements allow for multiple units per pool.
- PVC niche provides for flush mounting.
- The perfect complement to IntelliBrite® 5g LED Pool Lighting for dynamic and synchronized colored light shows.

## ORDERING INFORMATION

Product	Description	Carton Qty.	Carton Wt.
<b>COLORVISION LED LIGHT BUBBLER</b>			
580037	ColorVision Gunite Niche Kit (Niche only - must order GloBrite separately)	1	5
580036	ColorVision Vinyl/Fiberglass Niche Kit (Niche only - must order GloBrite separately)	1	5

Product	Voltage	Wattage	Cord Length (Ft.)	Carton Qty.	Carton Wt. (Lbs.)
<b>GLOBRITE COLOR LED LIGHTS</b>					
602053	12	15W	30	1	5
602054	12	15W	50	1	6
602055	12	15W	100	1	9
602056	12	15W	150	1	12
602102	12	15W	30	1	5
602103	12	15W	50	1	6
602104	12	15W	100	1	9
602105	12	15W	150	1	12

Product	Voltage	Wattage	Cord Length (Ft.)	Carton Qty.	Carton Wt. (Lbs.)
<b>TRANSFORMERS (LANDSCAPE AND POOL RATED)</b>					
619962	12 - 14	100 W	-	1	12
619962	12 - 14	300 W	-	1	12

## DIMENSIONS AND PERFORMANCE

GPM	Water Depth									
	2"		4"		6"		8"		10"	
	Plume Height									
	Nozzle Diameter									
	1/2"	3/4"	1/2"	3/4"	1/2"	3/4"	1/2"	3/4"	1/2"	3/4"
20		20"		13"		12"	19"	7'	15"	6"
30						23"		15"		12"
40								21"		17"
45										20"

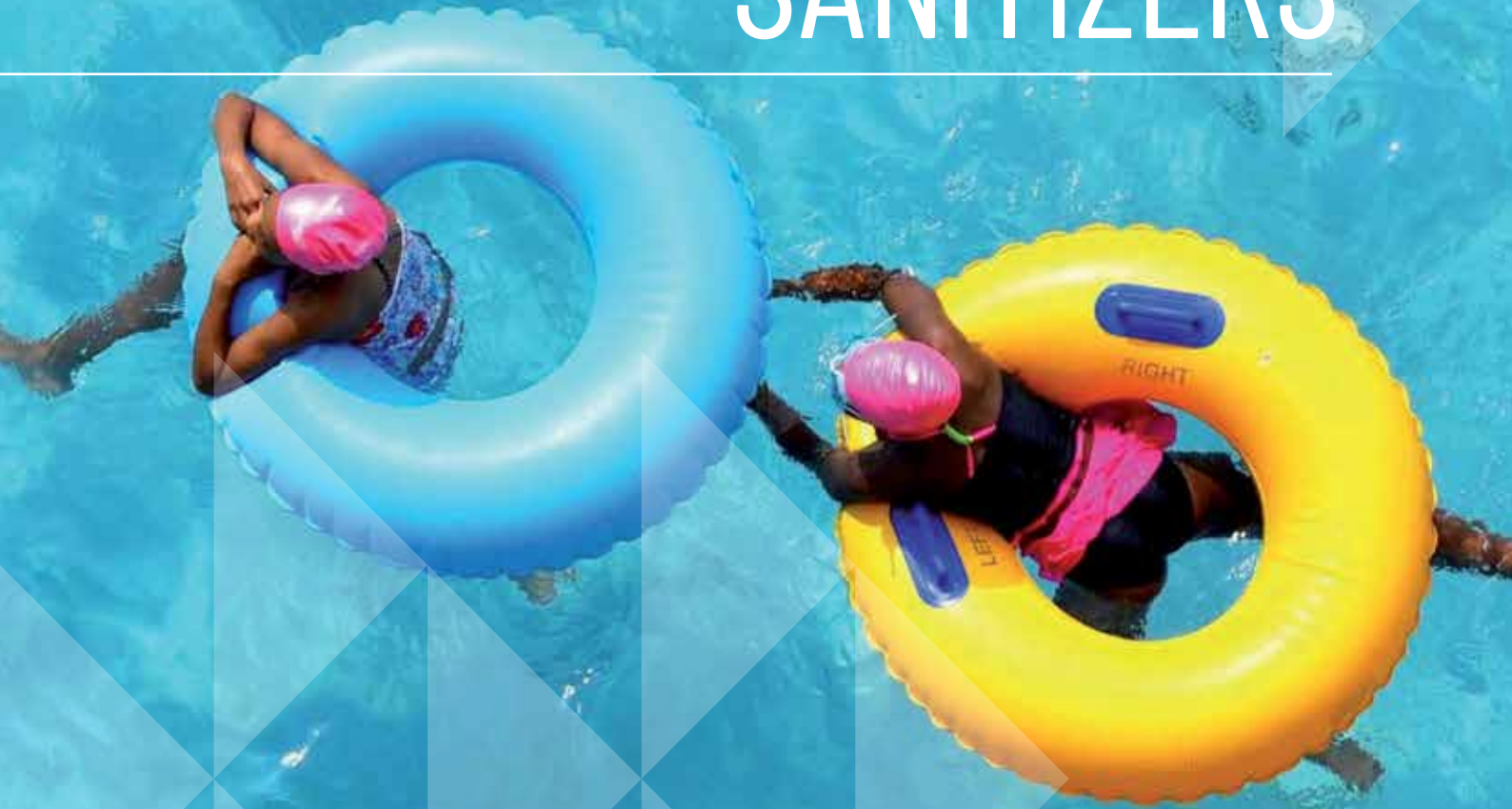
Note: Plume height may vary.







# CHEMICAL CONTROLLERS & SANITIZERS



# iChlor™

## SALT CHLORINE GENERATORS



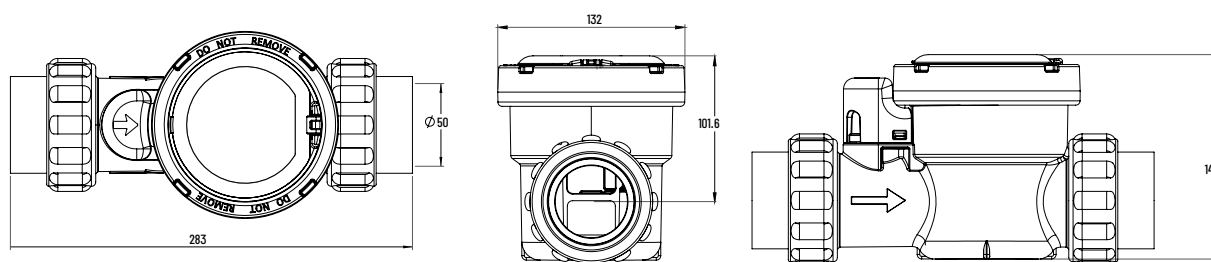
### FEATURED HIGHLIGHTS

- Compact design, fits most small technical rooms.
- Easy user interface protected by a cover.
- For above ground and small inground pools up to 90 m<sup>3</sup>.
- Removable cell.
- Polarity switching makes it selfcleaning and suitable for high calcium areas.
- 6.000 hour blade life.
- Flow switch controlled.
- Vertically or horizontally mounting.
- Easy-to-view displays for fast checking of salt levels, cell cleanliness, sanitizer output and water flow.
- Chloring adjustment according 3 levels is as easy as pressing two buttons.
- All performance data is captured daily, making it easy to maintain perfect water.
- Cell use tracking feature communicates remaining hours of cell life.
- Integrated sensors to ensure adequate water flow for safer chlorine generation.

### Get the perfect water without handling chlorine

iChlor Salt Chlorine Generator uses common table salt to produce all the chlorine a pool needs, safely, effectively and automatically. Same sanitation performance as manual chlorine addition without the drawbacks. No need for customers to buy, transport and store chlorine compounds.

### DIMENSIONS



### ORDERING INFORMATION

Product	Poolsize m <sup>3</sup>	Chlorine/day	Life hours
<b>iChlor</b>			
H-52-0800	90	500 g	6.000



# SC-75™

## SALT CHLORINE GENERATORS



### Get the perfect water without handling chlorine

SC-75 Salt Chlorine Generator uses common table salt to produce all the chlorine a pool needs, safely, effectively and automatically. Same sanitation performance as manual chlorine addition without the drawbacks. No need for customers to buy, transport and store chlorine compounds.

### FEATURED HIGHLIGHTS

- Compact design, fits most small technical rooms.
- Easy user interface protected by a cover.
- For above ground and small inground pools up to 90 m<sup>3</sup>.
- Removable cell.
- Polarity switching makes it selfcleaning and suitable for high calcium areas.
- 6.000 hour blade life.
- Flow switch controlled.
- Vertically or horizontally mounting.
- Easy-to-view displays for fast checking of salt levels, cell cleanliness, sanitizer output and water flow.
- Chloring adjustment according to 3 levels is as easy as pressing two buttons.
- All performance data is captured daily, making it easy to maintain perfect water.
- Cell use tracking feature communicates remaining hours of cell life.
- Integrated sensors to ensure adequate water flow for safer chlorine generation.

### ORDERING INFORMATION

Product	Poolsize m <sup>3</sup>	Chlorine/day	Life hours
<b>SC-75</b>			
SC-75	90	500 g	6.000

# INTELLICHLOR®

## SALT CHLORINE GENERATORS

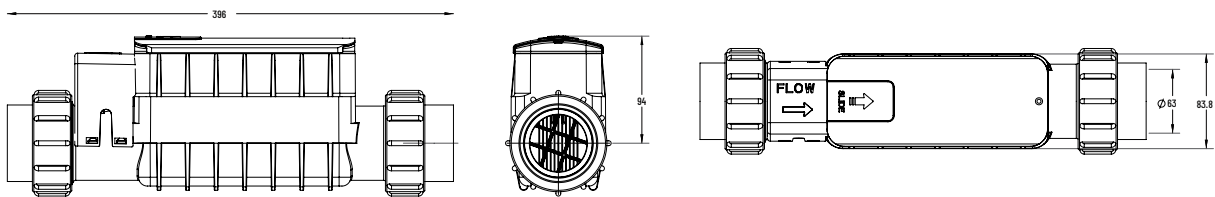


**IntelliChlor® Salt Chlorinator** uses common table salt to produce all the chlorine a pool needs, safely, effectively, and automatically. Same sanitation performance as manual chlorine addition without the drawbacks. No need for customers to buy, transport and store chlorine compounds.

### FEATURED HIGHLIGHTS

- Full diagnostic capabilities, including cell life tracking that communicates remaining hours of cell life in real-time. Captures all performance data daily (production settings, hours of operation, chlorine output, cell cleaning cycles, salt readings, and water temperature averages).
- Push-button operation and easy-to-view displays enable fast checking of salt levels, cell cleanliness, sanitizer output, and water flow.
- Automatic shut-off feature protects the unit and prolongs cell life under low water temperature conditions.
- On-time cycling prevents calcium and scale build-up to maximize cell life
- Ability to communicate with IntelliPool® Automation Systems.
- Certified to UL 1081 standard for safety.
- NSF approved.

### DIMENSIONS



### ORDERING INFORMATION

Product	Description	Carton Qty.	Carton Wt. (Lbs.)
<b>IntelliChlor</b>			
H-52-1208C	IC15 (EU Version) - 270 gr. Cl/day - 55m <sup>3</sup> pools	1	
H-52-0554C	IC20 (EU Version) - 320 gr. Cl/day - 75m <sup>3</sup> pools	1	7
H-52-0555C	IC40 (EU Version) - 640 gr. Cl/day - 155m <sup>3</sup> pools	1	14
521105	IC60 (US Version) - 900 gr. Cl/day - 225m <sup>3</sup> pools	1	13
<b>IntelliChlor Accessories</b>			
520588	IntelliChlor pass-through cell for winter or start-up	1	3
520594	IntelliChlor diagnostic wand	1	1
520595	IntelliChlor replacement unions (contains 2 O-rings, 2 couplers, 2 nuts)	1	1
520670	IntelliChlor Acid Washing Kit (includes closed-end union cap, O-ring, and coupling nut)	1	1
520734	15 foot extension power cord	1	1
520736	IntelliChlor Flow Switch replacement kit	1	1
521147	IntelliChlor Orings - Pack of Ten	1	1
521248Z	IntelliChlor Power Center fuse holder replacement	1	1

# INTELLICHLOR®

## COMMERCIAL SALT CHLORINE GENERATOR



**IntelliChlor® Salt Chlorine Generator** uses common table salt to produce all the chlorine a pool needs, safely, effectively, and automatically. Same sanitation performance as manual chlorine addition without the drawbacks. No need for customers to buy, transport and store chlorine compounds.

### FEATURED HIGHLIGHTS

- Each single cell produces up to 2 lbs of chlorine per day.
- Manifold systems to 8 cells.
- Systems available with 16 lbs of chlorine output per day\*.
- Color LED status displays.
- Performance data captured daily.
- Tracking of remaining cell life.
- Automatic shut-off feature helps protect and prolong cell life.
- Pre-mounted multi-power center configuration.
- Works with ORP Control System to generate chlorine on demand.
- Self-cleaning.
- NSF listed.
- UL Listed.



#### Possible Power Center and Manifold Configurations



- 120 GPM minimum per manifold.
- Power Centers are mounted on PVC boards and pre-wired for 220 VAC and ORP.



Compatible with Acu-Trol® pH/ORP control systems.

### ORDERING INFORMATION

PN	Description	Number of Primary (P) and Secondary (S) IC60 cells	Number of Primary Power Centers (520978)	Number of Secondary Power Centers (520556)	Chlorine per day(lbs)¹	Carton Qty.
520970	COMSYS-2	1P	1	0	2	
520971	COMSYS-4	1P, 1S	1	1	4	
520972	COMSYS-6	1P, 2S	1	2	6	
520973	COMSYS-8	1P, 3S	1	3	8	
520974	COMSYS-10	1P, 4S	1	4	10	
520975	COMSYS-12	1P, 5S	1	5	12	
520976	COMSYS-14	1P, 6S	1	6	14	
520977	COMSYS-16	1P, 7S	1	7	16	
521151	IntelliChlor CIC60P Replacement Primary Commercial Cell					1
521005	IntelliChlor CIC60S Replacement Secondary Commercial Cell					1
520978	IntelliChlor Replacement Primary Power Center					1
520556	IntelliChlor Replacement Secondary Power Center					1

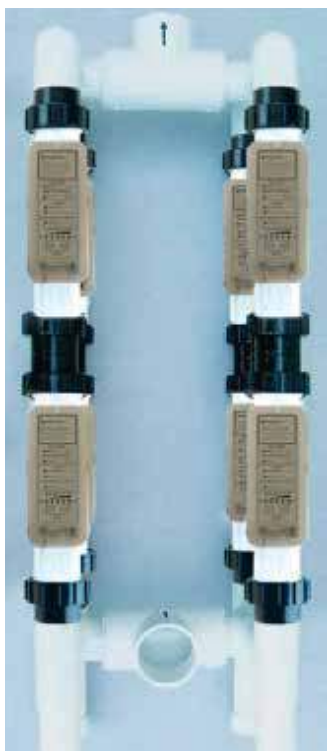
¹ Codes for commercial pools typically require 2 lbs of chlorine production per every 10,000 gallons. Please consult your local codes for chlorine production requirements.

Note : COMSYS-System includes: Primary Cell, Secondary Cells, Primary Power Center, Secondary Power Centers, and the manifold.

\* Contact factory for sizing Commercial IntelliChlor systems for pools larger than 80,000 gallons.

# COMMERCIAL INTELLICHLOR®

## SALT CHLORINE GENERATORS



### FEATURED HIGHLIGHTS

- Cell manifolds produce up to 40gm of chlorine per day
- Colour LED status displays
- Performance data captured daily
- Automatic shut-off feature helps protect and prolong cell life
- Pre-mounted multi-power center configuration
- Must be used with an external ORP/pH Controller
- Self-cleaning
- NSF listed
- UL Listed

IntelliChlor uses common table salt to produce all the chlorine a pool needs, safely, effectively and automatically. It provides the same sanitation performance as harsh chlorine additives without the drawbacks. There's no need to buy, handle and store chemicals.



- Need 120LPM per cell in manifold to trigger flow switch
- Power Centers are mounted on PVC boards and pre-wired for 230 VAC and ORP Controller



Must use an external ORP Controller. We suggest 521357 IntelliChem without pumps

### ORDERING INFORMATION

Product	Description	Number of secondary Power Centers (520556)	Chlorine per Hour (g)	Pool Volume (Liters)
520970	COMSYS-2	1	38	38,000
520971	COMSYS-4	2	76	76,000
520972	COMSYS-6	3	114	114,000
520973	COMSYS-8	4	152	152,000
520974	COMSYS-10	5	189	189,000
520975	COMSYS-12	6	227	227,000
520976	COMSYS-14	7	265	265,000
520977	COMSYS-16	8	303	300,000

<sup>1</sup> Codes for commercial pools typically require 100 gms. of chlorine production per every 100,000 litres. Please consult your local codes for chlorine production requirements.

<sup>2</sup> Many other factors are involved. eg surface area, climate, bather load etc.

**Note:** COMSYS-System includes: Primary Cell, Secondary Cells, Primary Power Center, Secondary Power Centers, and the manifold.

# FREEFLO CHLORINATOR

## SALT WATER CHLORINATOR



MINERAL SALT  
COMPATIBLE



### FEATURED HIGHLIGHTS

- "Simple but Reliable"
- Low salt operation: 3500-4500ppm (0.35% - 0.45%)
- Over temperature protection
- High efficiency toroidal transformer
- Premium grade titanium cell
- Over current protection
- Reverse-polarity, self-cleaning cell
- Silicon controlled rectification
- Very high chlorine production
- Acrylic weather shield
- High impact ABS plastic cell housing
- Available in dual outlet models for connecting pH doser or lighting transformer.
- Manufactured in Australia.
- 3-Year full replacement powerpack warranty.
- 5-Year pro-rata warranty on cell.

Electrolytic chlorine generation is the easiest, most effective and convenient way to keep pool water sparkling clean. Designed for the budget conscious pool owner, the Freeflo series by Pentair live up to its motto "Simply Reliable".

The Freeflo salt chlorinator is engineered to stand up to the toughest pool conditions and provide years of dependable service. The FreeFlo chlorinator can be connected to Pentair's solenoid dosing system for a pH perfect pool.

Product	Description	Cl Output (g/hr)	Cal. Hypo Equiv. (65%)	Sod. Hypo. Equiv. (12.5%)	Supply Voltage (VAC)	Output Voltage (VDC)	Output Current (A)	Carton Dim. (mm)	Carton Wt. (Kg)
---------	-------------	------------------	------------------------	---------------------------	----------------------	----------------------	--------------------	------------------	-----------------

#### FREEFLO SALT WATER CHLORINATOR - QUARTZ TIMER (BATTERY BACKUP)

FFCL-15-RP0	FreeFlo Salt Chlorinator 15g/hr	15	23g	120ml	230-240	8.5	15	410x370x250	12
FFCL-25-RP0	FreeFlo Salt Chlorinator 25g/hr	25	38g	200ml	230-240	8.5	25	410x370x250	13
FFCL-35-RP0	FreeFlo Salt Chlorinator 35g/hr	35	54g	280ml	230-240	8.5	35	410x370x250	14

#### FREEFLO SALT WATER CHLORINATOR - DUAL OUTLET

FFCL-25-RP2	FreeFlo Salt Chlorinator 25g/hr	25	38g	200ml	230-240	8.5	25	410x370x250	13
FFCL-35-RP2	FreeFlo Salt Chlorinator 35g/hr	35	54g	280ml	230-240	8.5	35	410x370x250	14

# RAINBOW™ AUTOMATIC CHLORINE/BROMINE FEEDERS



## FEATURED HIGHLIGHTS

- 300 and 320 series filters available in clear amber for easy tablet level monitoring.
- Completely enclosed system - no special venting required.
- No escaping gases.
- All Rainbow Feeders are NSF Listed.
- 50 PSI maximum operating pressure.

### In-Line Feeders

- 320 Series. For permanent installation in return line of new or existing pools or spas. Installs in return line on pressure side of pump downstream of all equipment. Standard with 2 in. slip PVC fittings and adapters for 1-1/2 in.

### Off-Line Feeders

- 300 Series. Retrofits into existing pools or spas. Operates on pressure side of pump. Uses 1/4 in. feeder hoses, control valve and fittings.

Years of customer use and satisfaction have proven Rainbow feeders to be the performance leader in pool & spa chemical dispensers.

## ORDERING INFORMATION

Product	Model	Description	Carton Qty.	Carton Wt. (Lbs.)
<b>In-Line Feeders</b>				
R171096	320	Holds 11 large or 98 small Bromine or slow dissolving Trichlor tablets. Treats 6,500 to 27,000 gallons bottom feed and 18,000 to 70,000 gallons top feed.	1	30
R171100	322	Low profile spa feeder. Holds 1/2 lb. of 1 in. tablets.	1	28
R171218	320C	Holds 11 large or 98 small Bromine or slow dissolving Trichlor tablets. Treats 6,500 to 27,000 gallons in a bottom feed configuration and 18,000 to 70,000 gallons in a top feed configuration with see-through amber body.	1	30
<b>Off-Line Feeders</b>				
R171016	300	Holds 11 large or 98 small tablets. Treats 12,000 to 48,000 gallons.	1	26
R171022	300C	Holds 11 large or 98 small tablets. Treats 12,000 to 48,000 gallons with see-through amber body.	1	26
R171026	302	Spa feeder. Includes spa chamber. Treats 500 to 2,000 gallons. Holds 15 small tablets.	1	28
R171056	300-19	Spa feeder includes double-capacity 19 in. chamber. Treats 13,000 to 52,000 gallons.	1	5
R171066	300-29	Spa feeder includes triple-capacity 29 in. chamber. Treats 14,000 to 57,000 gallons.	1	6
<b>Commercial and High Capacity Feeders</b>				
R171070	300-29X	Heavy duty 1/2 in. control valve and tubing optimizes flow and erosion to provide larger amounts of sanitizer. Dispenses 8.5 lbs. of 1 in. Trichlor Tablets in 24 hours. Holds 29 large or 237 small tablets. Treats 80,000 to 322,000 gallons.	1	8
R171215	HC-3315	High capacity for 1 in. hard plumbing installations. Holds 15 lbs. of tablets. Treats up to 20,200 gallons with Bromine and up to 97,600 gallons with Trichlor.	1	9
R171230	HC-3330	High capacity for 1 in. hard plumbing installations. Holds 30 lbs. of tablets. Treats up to 40,000 gallons with Bromine and up to 160,000 gallons with Trichlor.	1	12
R171240	HC-3340	High capacity for 1 in. hard plumbing installations. Holds 40 lbs. of tablets. Treats up to 61,000 gallons with Bromine and up to 332,000 gallons with Trichlor.	1	14

# RAINBOW LIFEWARD™ AUTOMATIC CHLORINE/BROMINE SIZING CHART

## ORDERING INFORMATION

Model	Chamber Capacity				Maximum Erosion in 24 Hours <sup>1</sup>	Treats Pool/Spa Size			H	W	D	Service Clearance for Lid Removal
	1 in. Tablet		3 in. Tablet			@ 10 ppm	@ 5 ppm	@ 2-1/2 ppm				
	Qty.	Wt.	Qty.	Wt.								

### Automatic Chlorine/Bromine Sizing Chart

#300	98	3.5 lbs.	11	4.8 lbs.	1.19 lbs.	11,900	23,800	47,600	21 in.	7 in.	12 in.	22-1/4 in.
#302 with spa chamber	15	0.5 lbs.	—	—	0.5 lbs.	500	1,000	2,000	21 in.	7 in.	12 in.	22-1/4 in.
#300-19	153	5.5 lbs.	20	8.8 lbs.	1.30 lbs.	13,000	26,000	52,000	28-1/2 in.	7 in.	12 in.	29-3/4 in.
#300-29	237	9.8 lbs.	29	12.7 lbs.	1.41 lbs.	14,100	28,200	56,400	38-1/2 in.	7 in.	12 in.	39-3/4 in.
#300-29X commercial model	237	9.8 lbs.	29	12.7 lbs.	8.05 lbs.	80,500	161,000	322,000	38-1/2 in.	7 in.	12 in.	39-3/4 in.
#320 bottom feed	98	3.5 lbs.	11	4.8 lbs.	0.67 lbs.	6,700	13,400	26,800	17-3/4 in.	5 in.	10 in.	19 in.
#320 top feed	98	3.5 lbs.	11	4.8 lbs.	1.75 lbs.	17,500	35,000	70,000	17-3/4 in.	5 in.	10 in.	19 in.
#322 with spa chamber	10	0.5 lbs.	—	—	0.09 lbs.	900	1,800	3,600	14-1/4 in.	5 in.	10 in.	15-1/2 in.

With 10 in. FEEDER EXTENSION ON #300 - REFER TO #300-19, max. height 11 in.  
With 20 in. FEEDER EXTENSION ON #300 - REFER TO #300-29, max. height 21 in.

6 PPM-COMMERCIAL POOLS & SPAS  
3 PPM-RESIDENTIAL POOL & SPAS



Note: This chart is only a suggested guide. Consult your local authority to determine their guidelines if needed. Results may vary due to pool/spa equipment and many other factors.

<sup>1</sup> Based on use of 1 in. Trichlor in 24 hours. Use of 3 in. tablets or sticks or bromine tablets will lower results. For 8 hour turnover divide by 3.

# RAINBOW LIFEWARD™ HIGH CAPACITY CHLORINE/BROMINE SIZING CHART

## ORDERING INFORMATION

Model	Capacity	Maximum Erosion in 24 Hours		Treats Pool/Spa Size in Gallons per 24 Hours		H	W	D	Service Clearance
		Chlorine	Bromine	Chlorine (10 ppm)	Bromine (10 ppm)				

### High Capacity Chlorine/Bromine Sizing Chart

HC3315	15 lbs.	29.28 lbs.	13.68 lbs.	97,600	20,200	21-1/2 in.	8 in.	15 in.	22 3/4 in.
HC3330	30 lbs.	48.00 lbs.	27.60 lbs.	160,000	40,900	39-1/8 in.	8 in.	15 in.	40-3/8 in.
HC3340	40 lbs.	99.60 lbs.	41.52 lbs.	332,000	61,500	49 3/4 in.	8 in.	15 in.	51 in.

# PENTAIR SOLENOID DOSING SYSTEM



## FEATURED HIGHLIGHTS

- Solenoid dosing system with pH/Redox probes, suction plunger and level sensor to adjust chemical balance of pool water.
- Included pH and Redox probes deliver immediate and precise measurements.
- To be used to control pH+/- or Chlorine.
- System includes proportional dosing that adapts to measured values.
- Password avoids unwanted adjustments.
- Adjustable dosing delay ensures a correct addition of chemicals to the water.



## ORDERING INFORMATION

Model	Description
DOS-PH-1	Proportional digital pH dosing system with pH probe
DOS-RED-1	Proportional digital Redox dosing system with Redox probe

Pressure (bar)	Flow Rate (l/h)
12	4
10	5
8	6
2	8

# PENTAIR DOSING PUMPS



## FEATURED HIGHLIGHTS

- Constant Flow Rate
- Manually Adjustable

Pentair dosing system are manufactured to the highest of engineering standards using best quality high performance materials.

## ORDERING INFORMATION

Part Number	Pressure	Flow	Power
CSL05008SPPF00P	8bar	5lph	12 V



# CHEMICAL TANKS



## FEATURED HIGHLIGHTS

- Tanks made of food grade polyethylene, with litre graduation.

## ORDERING INFORMATION

Model	H (cm)	D (cm)
SER 100	64	46
SER 250	87	59,5
SER 500	118,5	76
SER 1000	122	108,5

# MIXERS



## ORDERING INFORMATION

	Model	Shaft (mm)	Propeller (mm)	Motor (kw)	Material
3phases	MF012T4P06D0900	600	90	0.12	PVC
	MF012T4P08D0900	800			PVC
	MF012T4P09D0900	900			PVC
	MF012T4P11D0900	1100			PVC
1phase	MF012M4P06D0900	600	90		PVC
	MF012M4P08D0900	800			PVC
	MF012M4P09D0900	900			PVC
	MF012M4P11D0900	1100			PVC

# INTELLICHEM®

## CHEMICAL CONTROLLER



The IntelliChem Chemical Controller automatically monitors pool pH and sanitizing levels and delivers just the right amount of chemicals. IntelliChem Chemical Controller can work independently or in conjunction with other Pentair automation products. It's built-in Langelier Saturation Index calculator lets pool owners know when the water is in or out of balance. IntelliChem Chemical Controller uses the same technology found in commercial installations, water parks, hotel and community pools.

### FEATURED HIGHLIGHTS

- Auto Setup/Configuration wizard makes start-up quick and easy.
- Programmable chemical feed cycle and mix times for precise water balance.
- Assures safe water conditions by preventing excess chemical addition.
- Built-in Langelier Saturation Index calculator lets you know when your water chemistry is perfectly in or out of balance.
- Minimizes chemical costs by adding chemicals with precision
- Flow sensor ensures chemicals won't feed without system flow
- Password-protected access prevents tampering or accidental program change
- Seamless interface with IntelliTouch®, EasyTouch®, SunTouch® Automation Systems and ScreenLogic2™ Interface for superior chemical management.
- Compatible with IntelliChlor® Salt Chlorine Generators, external dosing pumps, and CO2 systems.

### ORDERING INFORMATION

Part Number	Description	Application
521357	IntelliChem with no pumps	For systems using external feed pumps, IntelliChlor, or CO2. Containers ordered separately.

# ACU-TROL®

## COMMERCIAL CHEMICAL CONTROLLER

AUTOMATION

FILTERS

VALVES

PUMPS

HEATERS & HEAT PUMPS

LIGHTING

CLEANERS

WATER FEATURES

COMMERCIAL  
CHEMICAL CONTROLLERS & SANITIZERS

WHITE GOODS

MAINTENANCE & SAFETY

LIFTS & DECK EQUIPMENT

SPA

Acu-Trol® chemical controller is the advanced choice for aquatic facilities worldwide. These efficient systems interface seamlessly to protect, monitor, and manage water chemical balance in aquatic environments and infrastructures. The Acu-Trol Chemical Controller is compatible with the commercial IntelliChlor, Rainbow erosion feeder and/or liquid feed pumps.



AK110



AK600

### FEATURED HIGHLIGHTS

- Monitors one body of water.
- 3rd relay can be used to automate second sanitizer.
- pH, ORP, temperature and safety flow switch standard.
- Programmable pH, ORP and temperature set points.
- Programmable chemical feed cycle ON and OFF (MIX) times.
- Programmable proportional feed.
- Programmable acid, base or CO<sub>2</sub> feed for pH control.
- Relay configuration shortcuts with Acu-Trol Wizards.
- Flow cell with built-in flow switch, shut-off valves, inlet strainer and sampling port.
- Records up to 30 days of sensor data internally in 1 or 2 hour recording intervals.

### FEATURED HIGHLIGHTS

- AcuCom Software.
- Multiple control for 1, 2, or 3 bodies of water.
- Programmable pH, ORP and temperature set points.
- Programmable proportional fee for precise chemical feed.
- Programmable acid, CO<sub>2</sub> or base feed for pH control.
- Relay configuration shortcuts with Acu-Trol Wizards.
- Auto backwash filters for up to two bodies of water.
- Flow cell with built-in flow switch, shut-off valves, inlet strainer and sampling port.
- 16 relays with three (3) voltage configurations.

### ORDERING INFORMATION

Part Number	Product	Description
<b>AK110 Automatic Water Chemistry Controller</b>		
701000110	AK110PS-A	Controller, AK110, pH, ORP, Temp, FC
<b>AK600 Pump Room Controller</b>		
701000170	AK600PS-A1	Controller, AK600, 1 Body, pH, ORP, Temp, FC
701000180	AK600PS-A2	Controller, AK600, 2 Body, pH, ORP, Temp, FC

# BIOSHIELD®

## UV DISINFECTION STERILIZER



### FEATURED HIGHLIGHTS

#### System Features:

- Housing Material: Heavy-Wall UV Resistant High-Density Polymer.
- Housing Pressure (Max.): 50 psi / 3.4 bar.
- Housing Inlet/Outlet Port Size: 2" Union.
- UV Lamp(s): Low-Pressure High-Output, T6-style.
- Highest-quality, low-pressure highoutput UV lamps offer 12,000 hours of continuous operation (80% efficient after 12,000 hours).

BioShield residential sterilizers feature Low Pressure High Output (LPHO) lamps that offer approximately twice the UV output of standard Low Pressure (LP) lamps with the same arc length. UV vessels are built of a UV-resistant, high density polymer with a removable end cap to provide easy internal access. Viewing ports allow visual indication of lamp status. Units have 2" slip unions and 5 3/4" diameter housings. 10' cable to ballast and 6' cord. 115V and 230V units are available. Models include an in-line, sealed water-tight power supply for wet applications.

### ORDERING INFORMATION

Model	Input Watts	UV-C Output Watts	UV Vessel Dimensions	Voltage	Amps Max Load	30 MJ/CM <sup>2</sup> GPM/LPM	40 MJ/CM <sup>2</sup> GPM/LPM
-------	-------------	-------------------	----------------------	---------	---------------	-------------------------------	-------------------------------

#### High-Output Sterilizers

522635	50	15	30" x 6"	115/230 V	1.15/0.57	25/97	17/64
522636	80	27	45" x 6"	115/230 V	1.15/0.57	45/170	32/121
522637	120	37	57" x 6"	115/230 V	1.15/0.57	62/242	43/162
522638	150	57	71" x 6"	115 V	1.85	100/387	70/264
522945	150	57	71" x 6"	230 V	0.85	100/387	70/264

Watts	Seal Kits	Ballast	Voltage	4-Pin Lamp Connector	Lamp	Quartz Sleeve
-------	-----------	---------	---------	----------------------	------	---------------

#### High-Output Sterilizer Replacements Parts

50	20375-2	20105-MV	115/230 V	709-1S	FL-2538-IP	FL-QZ175-IP
80	20375-2	20105-MV	115/230 V	709-1S	FL-2997-IP	FL-QZ176-IP
120	20375-2	20105-MV	115/230 V	709-1S	FL-2998-IP	FL-QZ165
150	20375-2	202150-1	115 V	709-1S	FL-2999	FL-QZ167
150	20375-2	202150-2	230 V	709-1S	FL-2999	FL-QZ167

COMMERCIAL

# BIOSHIELD® VERTICAL

## COMMERCIAL UV DISINFECTION STERILIZER



When operating space is restricted, our vertical BioShield UV Systems provide the small footprint you need. These vertical models feature single-end, top-loading quartz sleeve to minimize space required and maximize serviceability. Each model is extremely durable and features a corrosion-resistant remote power supply enclosure and UV vessel. All models are designed to deliver optimum UV performance by utilizing their UV lamp's UV-C output to its maximum potential. BioShield UV Systems are water-tight and designed for indoor/outdoor use. Each model is equipped with a flanged base for easy installation.

### FEATURED HIGHLIGHTS

#### System Features:

- Enhanced, state-of-the-art electronic ballast, sized precisely to the lamp's power requirement, ensures optimal UV-C output and maximum "useful lamp life".
- Small footprint: vertical operation reduces required horizontal space.
- Modified Polymer construction is stronger and can handle higher internal pressures than polypropylene and HDPE vessels\*.
- Single-End UV lamp and quartz sleeve access for easy servicing.
- Watertight design protects all electrical hardware from water damage.
- Highest-quality, low-pressure high-output UV lamps offer 12,000 hours of continuous operation (80% efficient after 12,000 hours).
- Choice of inlet/outlet port styles.
- Included Over-Temp System Shutdown Sensor shuts down the lamp field to avoid damage when water temperature inside the vessel exceeds 120° F.
- 6-foot power cord and 20-foot lamp cables.

### ORDERING INFORMATION

Model	Flange Size	Lamps/Watts	Input Watts	UV-C Output Watts	UV Vessel Dimensions (H x D)	Power Enclosure Dimensions (H x W x D)	Amps Max Load @ 120/230 VAC	Max PSI/Bar	40 MJ/CM <sup>2</sup> GPM/LPM	60 MJ/CM <sup>2</sup> GPM/LPM
-------	-------------	-------------	-------------	-------------------	------------------------------	--	-----------------------------	-------------	-------------------------------	-------------------------------

#### Low-Pressure Amalgam UV Systems

522904, 522917, 522930	2", 3", 4"	1/130	130	40	57" x 6"	16" x 14" x 8.4"	2.1/1.0	50/3.4	49/190	33/128
522905, 522918, 522931	2", 3", 4"	2/130	260	80	57" x 6"	16" x 14" x 8.4"	3.9/2.0	50/3.4	90/349	60/233
522906, 522919, 522932	2", 3", 4"	3/130	390	120	57" x 6"	16" x 14" x 8.4"	5.8/2.9	50/3.4	125/484	83/322
522907, 522920, 522933	2", 3", 4"	3/130	390	120	63" x 8"	16" x 14" x 8.4"	5.8/2.9	50/3.4	167/647	111/430
522908, 522921, 522934	3", 4", 6"	4/130	520	160	63" x 8"	20.2" x 16.3" x 8.4"	7.5/3.7	50/3.4	227/880	151/585
522909, 522922, 522935	3", 4", 6"	5/130	650	200	63" x 8"	24.6" x 20.2" x 10.6"	9.4/4.7	50/3.4	272/1054	181/701
522910, 522923, 522936	4", 6", 8"	6/130	780	240	68" x 10"	24.6" x 20.2" x 10.6"	11.2/5.6	50/3.4	365/1414	244/946
522911, 522924, 522937	4", 6", 8"	7/130	910	280	68" x 10"	24.6" x 20.2" x 10.6"	13.3/6.5	50/3.4	430/1666	287/1112
522912, 522925	6", 8"	7/130	910	280	75" x 12"	24.6" x 20.2" x 10.6"	13.3/6.5	50/3.4	492/1907	328/1271
522913, 522926	6", 8"	8/130	1040	320	75" x 12"	30.5" x 24.1" x 12.6"	15.0/7.5	50/3.4	555/2151	369/1430

COMMERCIAL

AUTOMATION

FILTERS

VALVES

PUMPS

HEATERS & HEAT PUMPS

LIGHTING

CLEANERS

WATER FEATURES

CHEMICAL CONTROLLERS & SANITIZERS

WHITE GOODS

MAINTENANCE & SAFETY

LIFTS & DECK EQUIPMENT

SPA

# BIOSHIELD® CLP

## COMMERCIAL UV DISINFECTION STERILIZER



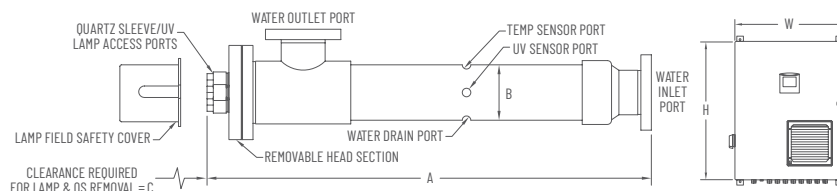
Establishing a bio-secure swimming facility begins at the pool design stage.

Low-pressure UV systems are a proven solution to harmful water borne pathogen problems and irritating chloramines.

Pentair BioShield Commercial UV systems provide instant protection against Cryptosporidium, Giardia and remove chloramines.

### FEATURED HIGHLIGHTS

- Energy efficient Low Pressure UV converts up to 30-40% energy into UV-C light.
- Cost effective UV inhibited Schedule 80 PVC vessels stand up to UV degradation and corrosion caused by pool water.
- Conserve free-chlorine by as much as 30% compared to Medium Pressure UV systems.
- NSF certified with flow rates up to 2,335 GPM.
- Quality American-made, low-pressure Amalgam UV lamps offer up to 12,000 hours of continuous operation.
- Low temperature lamps conserve energy and negate the need for quartz sleeve wiper systems.
- UL 508L Listed.
- Single-end UV lamp and quartz sleeve access for easy servicing.
- Choice of input / output piping connections.
- Water-tight design protects all electrical hardware from water damage.
- Enhanced, state of the art electronic ballast, sized precisely to the lamp's power requirement, ensures optimal UV-C output and maximum useful lamp life.
- Most effective and efficient UV-spectral power distribution.



### MICRO-PROCESSOR STANDARD FEATURES

- Menu-Driven, Digital Interface.
- Power Enclosure Over-Temp. Safety Shut-Down.
- Vessel Over-Temp. safety Shut-Down.
- Individual Lamp Status and Re-settable Hour Meter.
- Master System Hour Meter.
- Low-High Voltage Set-points/Shut-down.
- Output Alarm Relay.
- RS232 Data Port.
- UV Intensity Monitor (1% - 100% Scale).
- Thermoplastic NEMA 12X Enclosure.
- External Power Switch.
- 10 or 20 Foot Lamp Cables.
- Enclosure Cooling Fan.
- Optional Features:
  - Water Flow Meter
  - pH Meter
  - Ethernet Port
  - UV Dose Tracking
  - ORP Meter
  - 4-20 milliamp Output Port
  - Data Logging.

COMMERCIAL

# BIOSHIELD® CLP (CONT'D)

## COMMERCIAL UV DISINFECTION STERILIZER

### SIZING YOUR BIOSHIELD UV SYSTEM

- Establishing flow rate requirements** in GPM is critical to selecting the correct UV system for your application.
- Know your UVT and dose requirement.**

UVT is the measure of UV-C light transmittance (254nm) in water. Contaminates and waterborne agents suspended in water will absorb UV light, preventing transmittance.

Pentair has selected 90% UVT as a realistic measure of light transmittance in swimming pool water.

Other manufacturers may use a higher UVT% which can greatly overrate flow capacity.

Dose is a factor of UV light intensity and contact time. Pentair calculates two average dose levels for pool applications as follows:

UV Dose	Commercial Application
40 mJ/cm <sup>2</sup>	Inactivation of Cryptosporidium and other chlorine tolerant pathogens.
60 mJ/cm <sup>2</sup>	Additional breakdown of chloramines for greatly improved air and water quality.

- Choose your BioShield UV system model.**

Select desired dose column below. Identify maximum flow rate that meets system flow rate requirement.

Complete this step for model CLP4 or CLP6 and with provided vessel and power enclosure dimensions, choose the best model suited for the mechanical space. \*Note max flow rate for desired port size on each model.

Model <sup>1</sup>	Lamps/Watts	Max Flow Rate (GPM) 40 mJ/cm <sup>2</sup>	Max Flow Rate (GPM) 60 mJ/cm <sup>2</sup>	Port Size <sup>2</sup>	Amps Max Load	UV Vessel Dimensions <sup>2</sup> (A x B x C)	Power Enclosure Dimensions (H x W x D)	Max PSI
<b>ONLY AVAILABLE IN 120VAC</b>								
CLP41A6-XN	1/130	62	42	2"	2.1/1.0	56" x 6" x 47"	24.6" x 20.2" x 10.6"	100
CLP42A6-XN	2/130	105	70	3"	3.9/2.0	56" x 6" x 47"	24.6" x 20.2" x 10.6"	100
CLP43A6-XN	3/130	152	101	3" 4"	5.8/2.9	56" x 6" x 47"	24.6" x 20.2" x 10.6"	100
CLP43A8-XN	3/130	225	150	4"	5.8/2.9	62" x 8" x 51"	24.6" x 20.2" x 10.6"	100
CLP44A8-XN	4/130	295	196	4" 6"	7.5/3.7	62" x 8" x 51"	24.6" x 20.2" x 10.6"	100
CLP45A8-XN	5/130	350	233	4" 6"	9.4/4.7	62" x 8" x 51"	30.5" x 24.9" x 12.6"	100
CLP46A10-XN	6/130	500	334	6"	11.2/5.6	64" x 10" x 51"	30.5" x 24.9" x 12.6"	75
CLP47A10-XN	7/130	585	390	6" 8"	13.3/6.5	64" x 10" x 51"	30.5" x 24.9" x 12.6"	75
CLP47A12-XN	7/130	700	467	6" 8"	13.3/6.5	69" x 12" x 51"	30.5" x 24.9" x 12.6"	50
CLP48A12-XN	8/130	790	525	6" 8"	15.0/7.5	69" x 12" x 51"	30.5" x 24.9" x 12.6"	50
<b>ONLY AVAILABLE IN 240VAC</b>								
CLP61A6-XN	1/320	185	123	3" 4"	1.6	85" x 6" x 76"	24.6" x 20.2" x 10.6"	100
CLP62A6-XN	2/320	325	216	4" 6"	3	85" x 6" x 76"	24.6" x 20.2" x 10.6"	100
CLP63A6-XN	3/320	465	310	4" 6"	4.5	85" x 6" x 76"	24.6" x 20.2" x 10.6"	100
CLP63A8-XN	3/320	660	438	6"	4.5	85" x 6" x 76"	24.6" x 20.2" x 10.6"	100
CLP64A8-XN	4/320	850	566	6"	6	85" x 6" x 76"	24.6" x 20.2" x 10.6"	100
CLP65A8-XN	5/320	1020	678	6"	7.5	85" x 6" x 76"	30.5" x 24.1" x 12.6"	100
CLP66A10-XN	6/320	1470	979	8"	9	88" x 10" x 76"	30.5" x 24.1" x 12.6"	75
CLP67A10-XN	7/320	1730	1158	8"	11	88" x 10" x 76"	30.5" x 24.1" x 12.6"	75
CLP67A12-XN	7/320	2080	1385	8" 10"	11	90" x 12" x 76"	30.5" x 24.1" x 12.6"	50
CLP68A12-XN	8/320	2350	1566	10"	13	90" x 12" x 76"	30.5" x 24.1" x 12.6"	50
CLP69A14-XN	9/320	2870	1912	12"	14	92" x 14" x 76"	40.4" x 32.5" x 12.6"	50
CLP610A16-XN	10/320	3400	2267	14"	16	94" x 16" x 76"	40.4" x 32.5" x 12.6"	50

<sup>1</sup> When ordering: Replace 'X' in part number with requested flange size; e.g. CLP41A6-2N for two-inch flange.

<sup>2</sup> Vessel dimension 'C' represents clearance requirements for glassware maintenance.

COMMERCIAL

AUTOMATION

FILTERS

VALVES

PUMPS

HEATERS & HEAT PUMPS

LIGHTING

CLEANERS

WATER FEATURES

CHEMICAL CONTROLLERS & SANITIZERS

WHITE GOODS

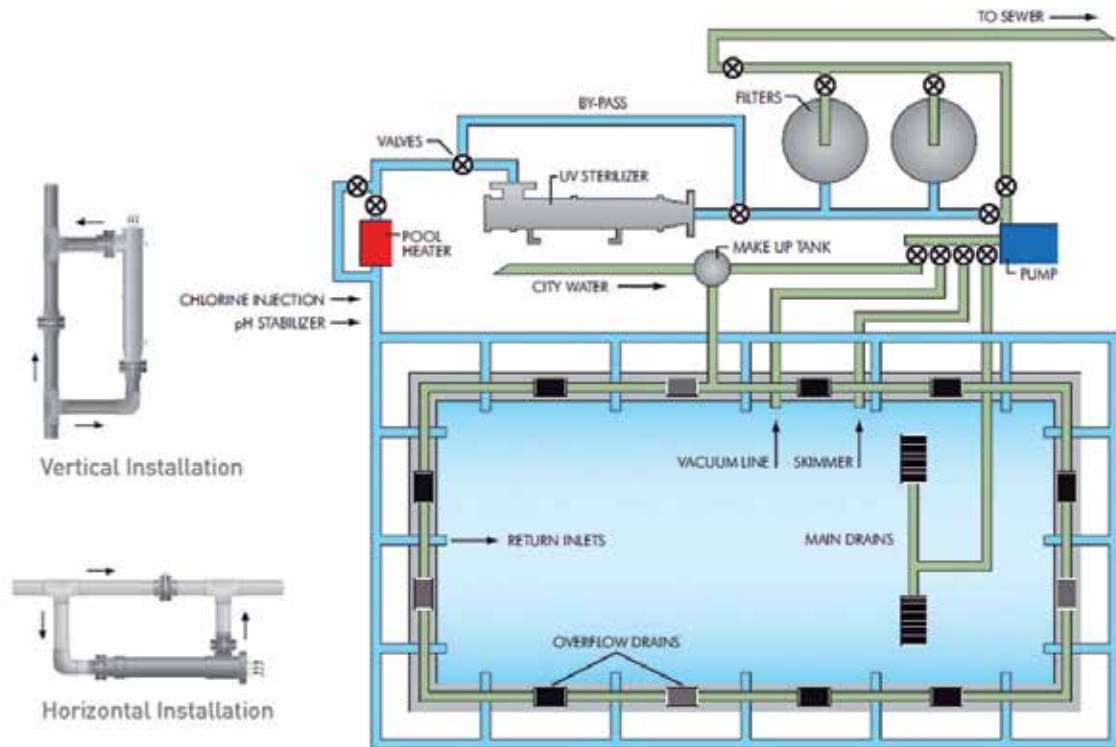
MAINTENANCE & SAFETY

LIFTS & DECK EQUIPMENT

SPA

# BIOSHIELD® CLP (CONT'D)

## COMMERCIAL UV DISINFECTION STERILIZER



### BIOSHIELD UV STERILIZER INSTALLATION:

1. Position the BioShield UV Sterilizer after the pool filters so it receives solids-free water. This will ensure optimum Bio-Security against Recreation Water Illnesses such as Cryptosporidium, Giardia and E.Coli, while protecting the quartz sleeves and lamps from potential damage.
2. The NSF-50 certified BioShield UV Sterilizer vessel is equipped with various sensor ports (UV intensity and Water Over-Temperature Protection Sensors). All sensor ports are clearly labeled on the vessel based on their respective function. Additionally, the vessel is equipped with a 1/2" threaded drain port for installation of the Drain Valve Assembly.
3. For horizontal or vertical piping installation, it is recommended to install a piping bypass manifold (as shown) which will allow for BioShield UV Sterilizer removal from the filter-loop without disrupting water flow or filter operation. Isolation Valves are necessary for vessel removal and chemical cleaning procedure.
4. Always install BioShield UV Sterilizer's with the outlet port facing upward, allowing trapped air to escape. Trapped air can result in rupture or heat damage to the vessel.
5. Provide enough space around the electrical end of the BioShield UV Sterilizer to allow for easy removal of the UV lamp and quartz sleeves. A 46" clearance for CLP4 models and 76" clearance for CLP6 models is required.
6. Do not install or operate any UV system without thoroughly reading the operators manual.

COMMERCIAL



# BIOSHIELD® PRO

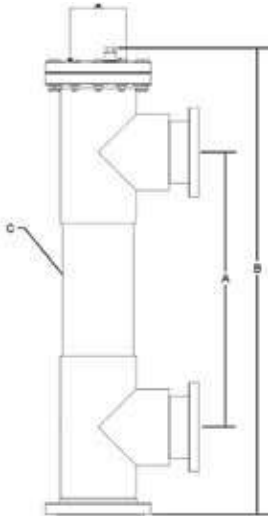
## COMMERCIAL UV DISINFECTION STERILIZER



### FEATURED HIGHLIGHTS

- High quality and easy installation
- Custom ballasts rated for indoor and outdoor use
- Separate ballasts for installation versatility
- Designed for use in small places and easy to hide
- Flow switch turn-off at no flow, regardless of pressure
- Easy drain for quick maintenance
- Internal air bleed helps prevent trapped air in the top of the vessel
- Automation ready
- NSF certified; Pentair is the first to have NSF certification for a water conditioning device
- Reduces combined chloramine by as much as 25%\*
- EPA number 091668-FL-001

BioShield Pro is the answer for a UV system that's effective, affordable and NSF certified. High in quality and oh-so-easy to install, BioShield Pro has the same benefits as our residential BioShield UV System, only in a commercial body.



### ORDERING INFORMATION

Product	Flange	Voltage	Amps (Max.)	Vessel Dimensions (Inches)			
				Height W/ Maintenance Clearance	A Port To Port	B Vessel Height	C Vessel Size
523575	4"	120/240V	2.30/1.14	114"	43.375	62.375	6
523576	4"	120/240V	4.60/2.28	114"	43.375	62.375	6
523577	6"	120/240V	4.60/2.28	117"	42.125	65.875	8
523578	6"	120/240V	5.75/2.85	117"	42.125	65.875	8
523579	8"	120/240V	5.75/2.85	123"	41.875	71	10
523580	8"	120/240V	6.90/3.42	123"	41.875	71	10

# UV-C TIMER

SWIMMING WITHOUT CHLORINE



## FEATURED HIGHLIGHTS

- Timer function that indicates the remaining lifetime of the lamp
- A built-in electronic ballast to ensure a smooth power supply
- Up to 35% more UV-C yield as a result of reflection by the Stainless Steel interior
- 316L stainless steel housing
- Easy to install and easy to maintain
- Comes with Ø63mm to Ø50mm fittings, 1½" female threaded

Timer is equipped with an integrated timer which accurately monitors the number of operating hours. You can therefore see exactly when the lamp must be replaced.

## ORDERING INFORMATION

Item Code	Timer UV-C 40W	Timer UV-C 75W	Timer UV-C 130W
Type	40.000 / 40W	75.000 / 75W	150.000 / 130W
Part Number	<b>BH01402</b>	<b>BH01752</b>	<b>BH01132</b>
Rec. flow	11 m <sup>3</sup> /h	16 m <sup>3</sup> /h	22 m <sup>3</sup> /h
Performance at rec. flow	30 mJ/cm <sup>2</sup>	30 mJ/cm <sup>2</sup>	30 mJ/cm <sup>2</sup>
Max. flow	23 m <sup>3</sup> /h	23 m <sup>3</sup> /h	23 m <sup>3</sup> /h
Max. pressure	2 bar	2 bar	2 bar

# UV-C TECH

## SWIMMING WITHOUT CHLORINE



### FEATURED HIGHLIGHTS

- A built-in electronic ballast to ensure a smooth power supply
- Up to 35% more UV-C yield as a result of reflection by the Stainless Steel interior
- 316L stainless steel housing
- Easy to install and easy to maintain
- Comes with Ø63mm to Ø50mm fittings, 1½" female threaded

Because of its compact size, UV-C Tech is ideal for all filter installations where space is limited but a high disinfection efficiency is needed.

### ORDERING INFORMATION

Item Code	Timer UV-C 16W	Timer UV-C 40W	Timer UV-C 75W	Timer UV-C 130W
Type	15.000 / 16W	40.000 / 40W	75.000 / 75W	150.000 / 130W
Part Number	<b>BE02162</b>	<b>BH01402</b>	<b>BH01752</b>	<b>BH01132</b>
Rec. flow	5 m <sup>3</sup> /h	11 m <sup>3</sup> /h	16 m <sup>3</sup> /h	22 m <sup>3</sup> /h
Performance at rec. flow	30 mJ/cm <sup>2</sup>	30 mJ/cm <sup>2</sup>	30 mJ/cm <sup>2</sup>	30 mJ/cm <sup>2</sup>
Max. flow	23 m <sup>3</sup> /h	23 m <sup>3</sup> /h	23 m <sup>3</sup> /h	23 m <sup>3</sup> /h
Max. pressure	2 bar	2 bar	2 bar	2 bar

AUTOMATION

FILTERS

VALVES

PUMPS

HEATERS &  
HEAT PUMPS

LIGHTING

CLEANERS

WATER  
FEATURES

CHEMICAL  
CONTROLLERS  
& SANITIZERS

WHITE  
GOODS

MAINTENANCE  
& SAFETY

LIFTS & DECK  
EQUIPMENT

SPA

# UV-C TIMER

SWIMMING WITHOUT CHLORINE



## FEATURED HIGHLIGHTS

- Timer function that indicates the remaining lifetime of the lamp
- A built-in electronic ballast to ensure a smooth power supply
- Up to 35% more UV-C yield as a result of reflection by the Stainless Steel interior
- 316L stainless steel housing
- Easy to install and easy to maintain
- Comes with Ø63mm to Ø50mm fittings, 1½" female threaded

Timer is equipped with an integrated timer which accurately monitors the number of operating hours. You can therefore see exactly when the lamp must be replaced.

## ORDERING INFORMATION

Item Code	Timer UV-C 40W	Timer UV-C 75W	Timer UV-C 130W
Type	40.000 / 40W	75.000 / 75W	150.000 / 130W
Part Number	<b>BH01402</b>	<b>BH01752</b>	<b>BH01132</b>
Rec. flow	11 m <sup>3</sup> /h	16 m <sup>3</sup> /h	22 m <sup>3</sup> /h
Performance at rec. flow	30 mJ/cm <sup>2</sup>	30 mJ/cm <sup>2</sup>	30 mJ/cm <sup>2</sup>
Max. flow	23 m <sup>3</sup> /h	23 m <sup>3</sup> /h	23 m <sup>3</sup> /h
Max. pressure	2 bar	2 bar	2 bar

# OZONE

## CORONA DISCHARGE OZONE SYSTEMS



### FEATURED HIGHLIGHTS

- Complete sanitation on contact
- Eliminates odors
- Reduces/eliminates chemical use
- Produced on-site (no storage, mixing, or handling of chemicals)
- Ozone reduces wastewater pollutants

### CORONA DISCHARGE OZONE SYSTEMS

We took our most popular ozonators and combined them with all the ancillary components that make up the perfect installation for exceptional water. The Pentair Apex Series makes ordering the properly sized and designed package as simple as possible.

### ORDERING INFORMATION

Unit	Grams Per Hour @ SCFH			Concentration By Weight @ Rated SCFH			120V/60Hz, AMPS	220V/50Hz AMPS, Single Hot Leg	60/240Hz, AMPS	250-90V 63-47Hz, AMPS	Dimension (inches)			Wt. lbs
	Ambient Air	Dry Air	Oxygen	Ambient Air	Dry Air	Oxygen					H	W	D	
Apex I	60 @ 1.0			0.05			1.60	0.94	0.80		33.0	8.50	3.50	25.0
Apex II		4 @ 1.3			1.00		2.00	1.10	1.00	1.0 - 2.6	19.5	11.5	5.00	14.5
Apex III		8 @ 2.6			1.00		3.20	1.60	1.60	1.6 - 4.2	21.5	11.5	5.00	34.0
Apex IV			4.0 @ 4.0			3.00	6.60	3.80	3.30		19.0	9.00	5.00	9.50
Apex VI			8.0 @ 8.0			3.00	7.50	4.10	4.00		21.5	11.5	5.50	14.5
Apex VII			7.5 @ 15			5.40	7.40	4.00	3.90		21.0	10.25	9.80	32.0
Apex VIII			15 @ 30			5.40	8.60	4.70	4.50		21.0	15.80	9.80	44.0

# OZONE

## AE SERIES DISCHARGE OZONE SYSTEMS



### FEATURED HIGHLIGHTS

- Ozone generator
- Air preparation
- Gauges/meters
- Electrical controls
- Back flow prevention
- Injection manifold

### APEX SERIES

We took our most popular ozonators and combined them with all the ancillary components that make up the perfect installation. The Apex series is designed to make ordering the properly sized and designed package as simple as possible.

### ORDERING INFORMATION

Unit	Grams Per Hour @ SCFH		Concentration By Weight @ Rated SCFH		120V/60Hz, AMPS	220V/50Hz AMPS, Single Hot Leg	240/60Hz, AMPS	240/60Hz, AMPS	Dimension (inches)			Wt. lbs
	Dry Air	Oxygen	Dry Air	Oxygen					H	W	D	
Apex I	1.0 @ 60		0.10		1.60	0.94	0.80		33.0	8.50	25.0	25.0
Apex II	1.3 @ 4		1.00		1.70	0.90	0.84	2.2-0.8	19.5	11.5	15.0	15.0
Apex III	2.6 @ 7		1.00		2.60	1.52	1.30	2.6-1.0	19.5	15.25	34.0	34.0
Apex IV		4.0 @ 4		3.00	3.90	2.22	2.20		19.0	9.00	9.50	9.50
Apex V	5.6 @ 14		1.00		3.80	2.10	2.00		23.0	20.25	49.0	49.0
Apex VI		8.0 @ 8		3.00	4.10	2.30	2.23		21.5	11.5	15.0	15.0
Apex VII		15 @ 7.5		5.00	5.00	2.75	2.50		21.0	10.2	28.0	28.0
Apex VIII		30 @ 15		5.00	6.60	3.90	3.60		23.0	20.25	39.0	39.0

# OZONE

## CORONA DISCHARGE OZONE SYSTEMS



### FEATURED HIGHLIGHTS

- Ozone generator
- Oxygen concentrator
- Automated control
- Back flow prevention
- Powder coated or stainless steel

### APEX AE SYSTEMS

This is the most advanced fully integrated ozone package ever designed. With a built-in oxygen concentrator, backflow prevention and automatic controls, you won't find a more reliable system anywhere. The AE series is available in stainless steel or powder coated construction to meet all job site requirements.

### ORDERING INFORMATION

Unit	Grams Per Hour @ SCFH	Concentration By Weight @ Rated SCFH	120V/60Hz, AMPS	220V/50Hz AMPS, Single Hot Leg	Dimension (inches)			Wt. lbs
					H	W	D	
A4e	4 @ 4	3.00	6.50	3.50	32.5	28.0	22.0	130.0
A8e	8 @ 8	3.00	7.00	3.70	32.5	28.0	22.0	130.0
A15e	15 @ 7.5	5.00	7.00	3.70	32.5	28.0	22.0	145.0

AUTOMATION

FILTERS

VALVES

PUMPS

HEATERS & HEAT PUMPS

LIGHTING

CLEANERS

WATER FEATURES

CHEMICAL CONTROLLERS & SANITIZERS

WHITE GOODS

MAINTENANCE & SAFETY

LIFTS & DECK EQUIPMENT

SPA

# OZONE

## MICROZONE SERIES CORONA DISCHARGE OZONE SYSTEMS



### FEATURED HIGHLIGHTS

- Compact
- Main power indicator
- No air preparation required
- Low power consumption
- Optional: on board interlock relay
- Air-cooled
- Serviceable

### BENEFITS

- Eliminates odors
- Powerful, safe oxidation and disinfection
- Reduces or eliminates chemical use
- Produced on-site (no storage, mixing or handling of chemicals)
- Protects the environment - ozone reduces waste water pollutants

### ORDERING INFORMATION

Unit	Grams Per Hour @ SCFH	Concentration By Weight @ Rated SCFH	Vaccum (-5 in. Hg.) Pressure (5 PSI)	120V/60Hz, AMPS	220V/50Hz AMPS, Single Hot Leg	Dimension (inches)			Wt.
	Ambient Air	Ambient Air				H	W	D	lbs
Microzone CD325	0.325 @ 6.0	0.30	V/P	0.25	0.13	7.5	10.0	3.70	3.0
Microzone CD550	0.550 @ 6.0	0.30	V/P	0.30	0.15	7.5	10.0	3.70	4.0









# WHITE GOODS



# MEGASKIMMER

## SKIMMERS FOR IN-GROUND POOLS



### FEATURED HIGHLIGHTS

- Massive leaf basket (6.7L), for long intervals between cleaning.
- Patented child-safe lockable lid, locks with 1/4 turn of Philips head screw driver (no special tool required).
- Compliant to AS/NZS 1926.3.
- Single piece moulded body, for long-term strength.
- Ample points for securing to concrete in formwork.
- Rear (standard) and Base (punch-out) plumbing ports. 50mm AS/NZS PVC, Slip fit sockets.
- Vacuum plate with flow control valve, included with every model.
- Multi-fit fibreglass flange screw pattern allows retrofit for Quiptron, Poolrite and Waterco skimmers.
- Available for concrete, fibre glass and vinyl liner pools.
- Available with extension throat and wide-mouth throat.

The Pentair MegaSkim is the ideal skimmer for every new pool. Designed with both the pool builder and pool owner in mind, the MegaSkim is easy to install and easy to use. For the pool builder, the skimmer body is constructed out of a single piece mould, with no glue joints for potential leaks. Plenty of attachment points for tying to reinforcement are included, as well as base and rear plumbing ports to make installation easy. The MegaSkim is made from a tough UV stabilised thermoplastic, for years of use in the tough Australian climate. For the pool owner, the MegaSkim has a massive leaf basket for long intervals between cleaning. The MegaSkim is compliant to Australian Standards with a patented\* child safe deck lid.

### ORDERING INFORMATION

Product	Description	Skimmer			Lid		Carton Dim. (mm)	Pallet Qty	Carton Wt. (kg)
		Pool	Extension	Color	Shape	Color			
810000	Skimmer Pool Megaskim Concrete (No lid)	Concrete	None	White	None	None	590x455x320	16	5.8
810001	Megaskim Concrete Square Lid (Tan)	Concrete	None	White	Square	Tan	590x455x320	16	6.0
810002	Megaskim Concrete Round Lid (Tan)	Concrete	None	White	Round	Tan	590x455x320	16	6.0
810003	Megaskim White Concrete Square Lid (Grey)	Concrete	None	White	Square	Grey	590x455x320	16	6.0
810004	Megaskim White Concrete Round Lid (Grey)	Concrete	None	White	Round	Grey	590x455x320	16	6.0
810100	Skimmer Pool Megaskim Con. W/ Mouth (No lid)	Concrete	Widemouth	White	None	None	660x590x545	8	8.4
810101	Megaskim Concrete W/ Mouth Sq. Lid	Concrete	Widemouth	White	Square	Tan	660x590x545	8	8.6
810102	Megaskim Concrete W/ Mouth Sq. Rnd	Concrete	Widemouth	White	Round	Tan	660x590x545	8	8.6
810200	Skimmer Pool Megaskim Con. Ext/Thr (No Lid)	Concrete	Ext. Throat	White	None	None	590x565x320	12	6.8
810201	Megaskim Concrete Ext/Thr Sq Lid	Concrete	Ext. Throat	White	Square	Tan	590x565x320	12	7.0
810202	Megaskim Concrete Ext/Thr Rnd Lid	Concrete	Ext. Throat	White	Round	Tan	590x565x320	12	7.0
810300	Skimmer Megaskim Conc Grey (No Lid)	Concrete	None	Grey	None	None	590x455x320	16	5.8
810301	Megaskim Grey Concrete Square Lid (Tan)	Concrete	None	Grey	Square	Tan	590x455x320	16	6.0
810302	Megaskim Grey Concrete Round Lid (Tan)	Concrete	None	Grey	Round	Tan	590x455x320	16	6.0
810303	Megaskim Grey Concrete Square Lid (Grey)	Concrete	None	Grey	Square	Grey	590x455x320	16	6.0
810304	Megaskim Grey Concrete Round Lid (Grey)	Concrete	None	Grey	Round	Grey	590x455x320	16	6.0

# MEGASKIMMER

## SKIMMERS FOR IN-GROUND POOLS

Product	Description	Skimmer			Lid		Carton Dim. (mm)	Pallet Qty	Carton Wt. (kg)
		Pool	Extension	Color	Shape	Color			
810010	Megaskim F/Glass No Lid	Fibreglass	None	White	None	None	590x455x320	16	5.8
810011	Megaskim F/Glass Square Lid (Tan)	Fibreglass	None	White	Square	Tan	590x455x320	16	6.0
810012	Megaskim F/Glass Round Lid (Tan)	Fibreglass	None	White	Round	Tan	590x455x320	16	6.0
810110	Megaskim F/Glass W/ Mouth No Lid	Fibreglass	Widemouth	White	None	None	660x590x545	8	8.4
810111	Megaskim F/Glass W/ Mouth Square Lid	Fibreglass	Widemouth	White	Square	Tan	660x590x545	8	8.6
810112	Megaskim F/Glass W/ Mouth Round Lid	Fibreglass	Widemouth	White	Round	Tan	660x590x545	8	8.6
810210	Megaskim F/Glass Ext/ Throat No Lid	Fibreglass	Ext. Throat	White	None	None	590x565x320	12	6.8
810211	Megaskim F/Glass Ext/ Throat Square Lid	Fibreglass	Ext. Throat	White	Square	Tan	590x565x320	12	7.0
810212	Megaskim F/Glass Ext/ Throat Round Lid	Fibreglass	Ext. Throat	White	Round	Tan	590x565x320	12	7.0
810213	Megaskim FG Ext. Throat Round Lid	Fibreglass	Ext. Throat	White	None	None	590x565x320	12	7.0
810214	Megaskim F/G Ext. Throat Square Lid (Grey)	Fibreglass	Ext. Throat	White	Square	Grey	590x565x320	12	7.0
810215	Megaskim F/G Ext. Throat Round Lid (Grey)	Fibreglass	Ext. Throat	White	Round	Grey	590x565x320	12	7.0
810310	Grey Megaskim F/Glass No Lid	Fibreglass	None	Grey	None	None	590x455x320	16	5.8
810311	Grey Megaskim F/Glass Square Lid	Fibreglass	None	Grey	Square	Tan	590x455x320	16	6.0
810312	Grey Megaskim F/Glass Round Lid	Fibreglass	None	Grey	Round	Tan	590x455x320	16	6.0
810313	Grey Megaskim F/Glass Square Lid	Fibreglass	None	Grey	Square	Grey	590x455x320	16	6.0
810314	Grey Megaskim F/Glass Round Lid	Fibreglass	None	Grey	Round	Grey	590x455x320	16	6.0
810510	Skimmer Megaskim FG Ext. Throat Grey No Lid	Fibreglass	Ext. Throat	Grey	None	None	590x565x320	12	6.8
810511	Grey Megaskim F/G Ext. Throat Squarer Lid (Tan)	Fibreglass	Ext. Throat	Grey	Square	Tan	590x565x320	12	7.0
810512	Grey Megaskim F/G Ext. Throat Round Lid (Tan)	Fibreglass	Ext. Throat	Grey	Round	Tan	590x565x320	12	7.0
810513	Grey Megaskim F/G Ext. Throat Square Lid Grey	Fibreglass	Ext. Throat	Grey	Square	Grey	590x565x320	12	7.0
810514	Grey Megaskim F/G Ext. Throat Round Lid Grey	Fibreglass	Ext. Throat	Grey	Round	Grey	590x565x320	12	7.0

## FEATURES



VACUUM PLATE WITH FLOW CONTROL



MASSIVE 6.7L LEAF BASKET



WIDEMOUTH THROAT



EXTENSIVE THROAT

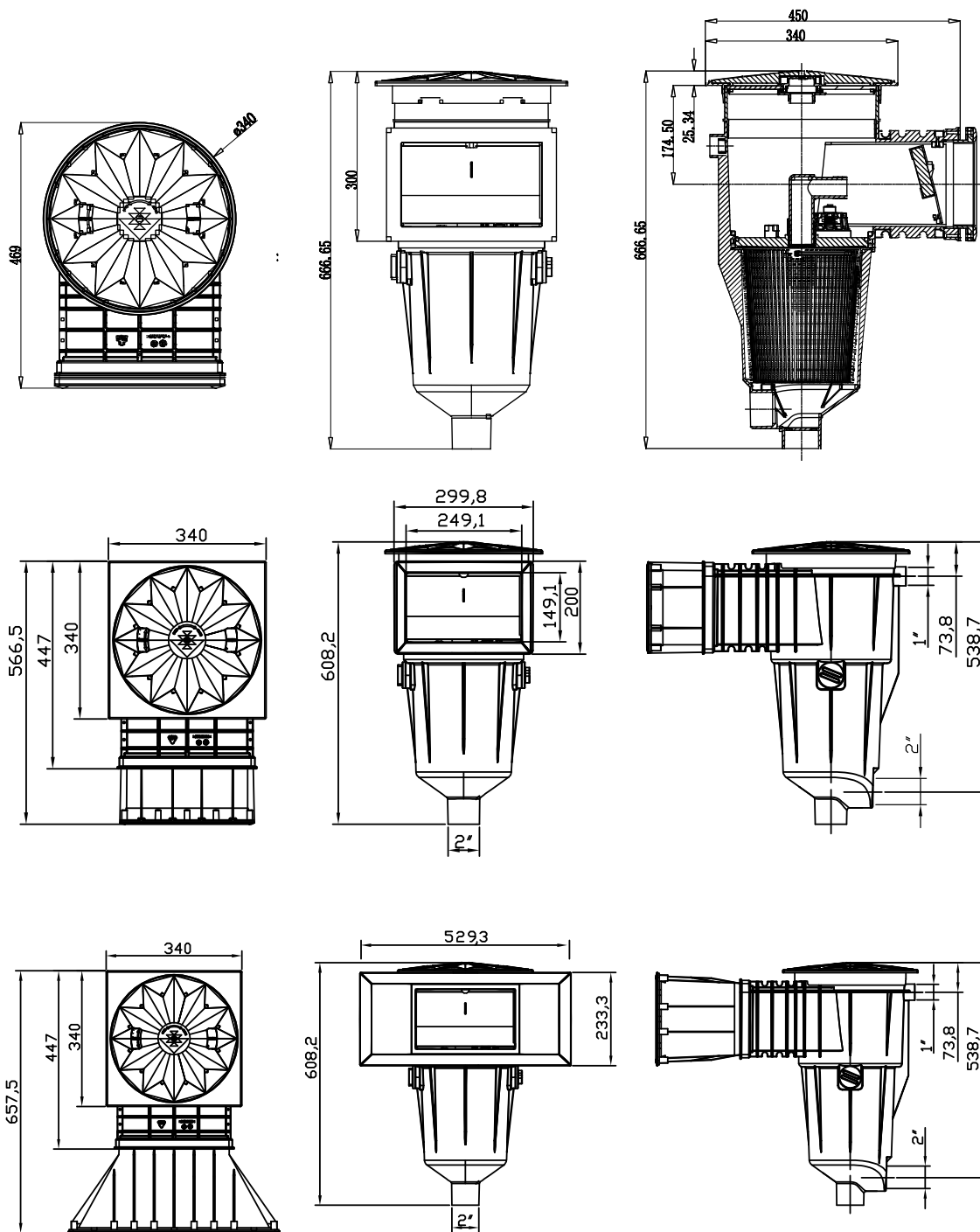


SQUARE AND ROUND CHILD SAFE LIDS

# MEGASKIMMER

## SKIMMERS FOR IN-GROUND POOLS

### DIMENSIONS



\*All dimensions in mm

# ADMIRAL™ S15 AND S20

SKIMMERS FOR POOLS AND SPAS



Admiral™ S15



Admiral™ S20

## FEATURED HIGHLIGHTS

- Admiral 15 Skimmers: High strength ABS body.
- Admiral S20 Skimmers: Reinforced PVC base.
- Slip FIPT, 1-1/2 inch or 2 inch.
- Variety of throat lengths.
- Easy to install.
- Innovative lock down lid.
- 1-1/2 inch and 2 inch ports.
- Lid extension collars.
- Flap weir or the exclusive circular weir.
- Custom logo disk available.

**Admiral™ S15** Skimmers offer a variety of bases and throats for a wide variety of plumbing and construction requirements, configurations and materials. These skimmers have an innovative lock-down lid that can be personalized with custom logo disks. S15 Skimmers are injection molded of high strength ABS and are available with a flap weir for superior skimming action.

**Admiral™ S20** Skimmers have a PVC reinforced twin port base. S20 may be purchased with equalizer for commercial and NSF applications or for when the second port is connected to the main drain. All models include the innovative lock down lid that can be personalized with custom logo disks and are available with a flap weir or the exclusive circular weir for superior skimming action.

## ORDERING INFORMATION

Product	Description	Carton Qty.	Carton Wt. (Lbs.)
---------	-------------	-------------	-------------------

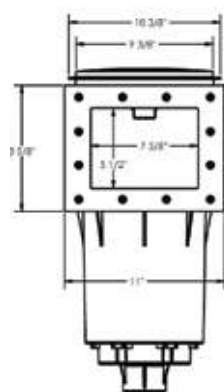
### SK15 Skimmers For Concrete Construction

84120100	S15, circ. weir, 1-1/2 in., threaded	1	10
84120200	S15, circ. weir, 2 in., threaded	1	10
84900300	S15, flap weir, 1-1/2 in., threaded	1	10

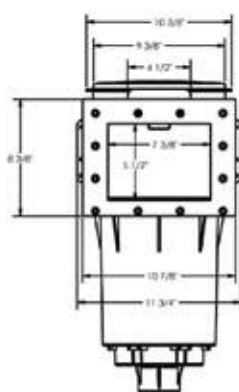
### SK20 Skimmers For Concrete Construction

84420405	S20, flap weir, no equalizer, 1-1/2 in. slip	1	10
84420505	S20, circ. weir, equalizer, 2 in. slip <sup>1</sup>	1	12

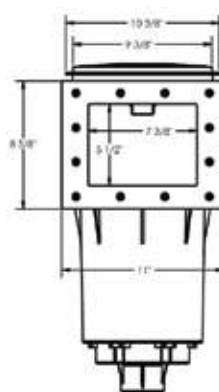
<sup>1</sup> NSF listed for commercial installation



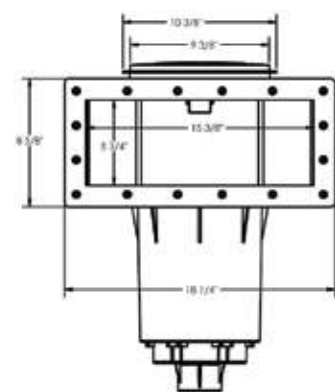
Short Throat Skimmer



Vinyl Throat Skimmer



Long Throat Skimmer



Wide-Mouth Skimmer

# BERMUDA™

## SKIMMERS FOR SWIMMING POOLS



### FEATURED HIGHLIGHTS

Choose among the following configurations :

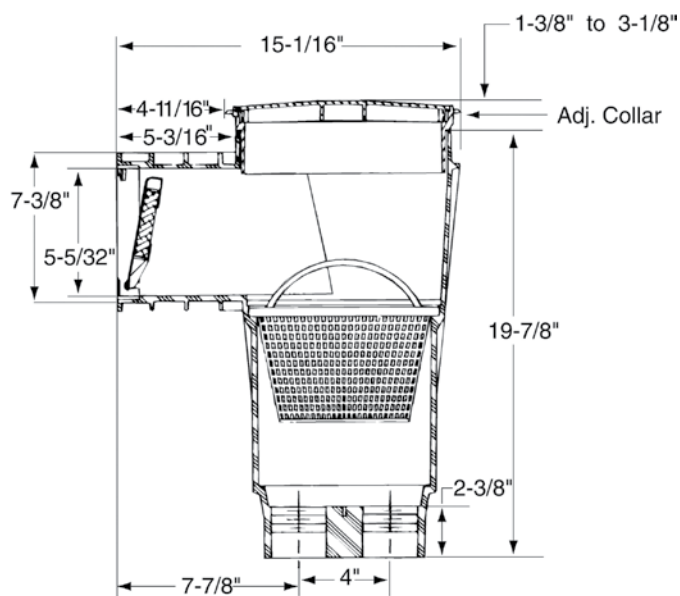
- PVC.
- White and tan colors available.
- 1-1/2 in. or 2 in. slip or threaded ports.
- Optional equalizer valve.

**Bermuda Skimmers** feature a heavy-duty one-piece construction with sturdy external ribbing for superior strength.

### ORDERING INFORMATION

Product	Description	Material Type	Carton Qty.	Carton Wt. (Lbs.)
<b>Gunite Skimmers</b>				
506301	2 in. Threaded ports, white	PVC	1	10
506302	2 in. Slip ports, tan	PVC	1	10
506304	1-1/2 in. Slip ports, white	PVC	1	10
506361	2 in. Slip ports, white	ABS	1	10
506363	1-1/2 in. Slip ports, white	ABS	1	10

### DIMENSIONS AND PERFORMANCE





# U-3™

## SWIMQUIP® SKIMMERS FOR INGROUND SWIMMING POOLS



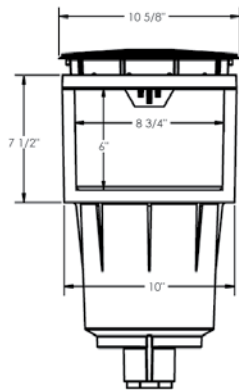
NSF Certified. Only skimmers with Float Valve assemblies are NSF approved.

**Note:** All U-3 Skimmers are made with high strength ABS plastic.

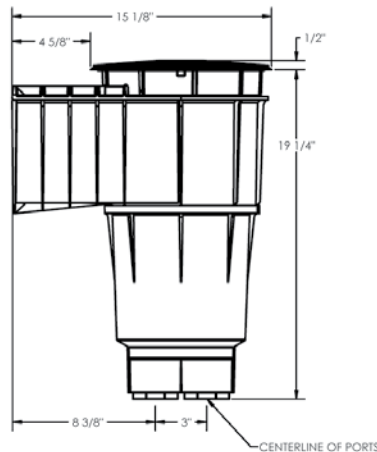
### ORDERING INFORMATION

Product	Description	Carton Qty.	Carton Wt. (Lbs.)
<b>Skimmers for Concrete Pools</b>			
08650-3404E	U-3 Skimmer Gray, w/Tan Lid & Frame, 2 in. Slip with 1-1/2 in. Slip Reducers; Incl. Float and Check Valve, Basket; NSF 1	48	10
08650-2404	U-3 Skimmer White w/Tan Lid & Frame, 2 in. Slip with 1-1/2 in. Slip Reducers; Incl. Float and Check Valve, Basket 1	48	10
08650-4403	U-3 Skimmer White w/White Lid & Frame, 2 in. NPT with 1-1/2 in. NPT Reducers; Incl. Basket w/o float	48	9

### DIMENSIONS AND PERFORMANCE



U3 Skimmer for concrete



### SKIMMER FOR LINER POOLS

Model	Description
G-SKI-LWM	Skimmer liner wide mouth



### SKIMMER FOR ABOVE-GROUND POOLS

Model	Description
H-RA-P001	Standard above-ground skimmer set - white



# DECKBOX

Product	Description
G-DECKBOX-1	Deckbox



## GUTTER DRAINS



540063



542038



542039

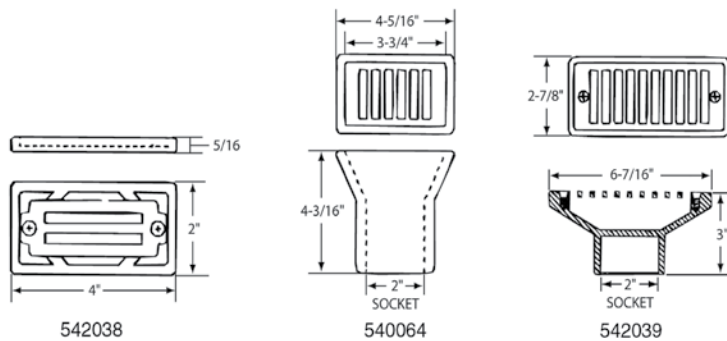
### FEATURED HIGHLIGHTS

- Pentair gutter drains come with an extra deep socket connection.

### ORDERING INFORMATION

Product	Description	Flow Rate (GPM)	Open Area (Sq. In.)	Carton Qty.
<b>Gutter Drains</b>				
540063	2 in. x 4 in. gutter drain & grate, white	14.5 @ 1-1/2 ft./sec.	3.09	50
540064	2 in. x 4 in. gutter drain & grate, black	14.5 @ 1-1/2 ft./sec.	3.09	50
540065	2 in. x 4 in. gutter drain & grate, dark grey	14.5 @ 1-1/2 ft./sec.	3.09	50
542038	2 in. x 4 in. 3-bar frame & grate, white	8.0 @ 1-1/2 ft./sec.	1.71	500
542039	2-1/2 in. x 6 in. gutter drain & grate, white	22.5 @ 1-1/2 ft./sec.	4.81	24
542146	2 in. x 4 in. grate (hi-style), white	14.5 @ 1-1/2 ft./sec.	3.09	500
552511	2 in. x 4 in. grate (fits 540063, 542037)	14.5 @ 1-1/2 ft./sec.	3.09	500

### DIMENSIONS AND PERFORMANCE



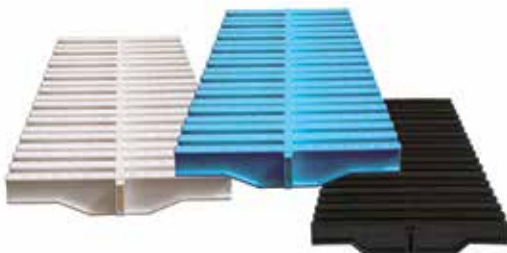
# VACUUM FITTING



## ORDERING INFORMATION

Product	Description
G-VAC-LIN	Vacuum fitting for liner pools

# OVERFLOW GRATING



Design your pool & deck surroundings with Swimming Pool Overflow Grating

## FEATURED HIGHLIGHTS

- Manufactured in weather proof (UV Protected) Polypropylene for long life.
- Single spine to match the pool shape.
- Heavy duty with Non slip surface for safety.
- Available in white, Blue & black colour to best suit the deck.
- Available in three standard widths 195mm, 245mm and 295mm with 22/23mm height.

## ORDERING INFORMATION

Product	Description	No. of gratings per running meter	Packing
G-295 (White/Black/Blue)	Overflow Grating 295mm (43 PCS/RM)	43	5 meter per box
G-245 (Black/White/Blue)	Overflow Grating 245mm (44 PCS/RM)	44	6 meter per box
G-195 (Blue/Black/White)	Overflow Grating 195mm (44 PCS/RM)	44	7 meter per box

# OVERFLOW GRATING

## ORDERING INFORMATION

Product	Description
993026009	ABS Support Grating 500mm length 22mm height



# POOL BASIN EQUIPMENT



Floor Inlet



Wall Inlet



Suction Fitting



Wall Conduit



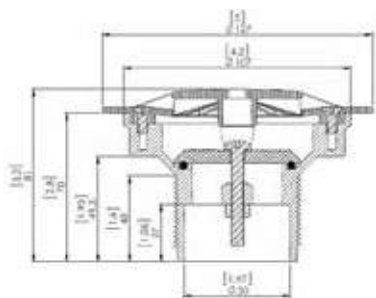
## FEATURED HIGHLIGHTS

- UV Resistance and better grade of ABS used gives longer life span.
- Different options of fitment (e.g) Press fit in 1.5" PVC pipe, 2" FTR or Pentair standard wall conduit gives freedom of installation to installer.
- Adjustability gives options to vary the flow as required in different sizes of pools.
- New suction fittings holds the hose gives more freedom for the maintenance of pool.

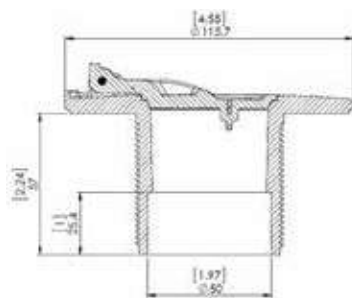
## ORDERING INFORMATION

Product	Description
FI-001-ASY-WHT	Floor Inlet - White
WI-001-ASY-WHT	Wall Inlet - White
SF-001-ASY-WHT	Suction Fitting - White
WA-Con-02	Wall Conduit
FI-001-ASY-BLK	Floor Inlet - Black
WI-001-ASY-BLK	Wall Inlet - Black
SF-001-ASY-BLK	Suction Fitting - Black

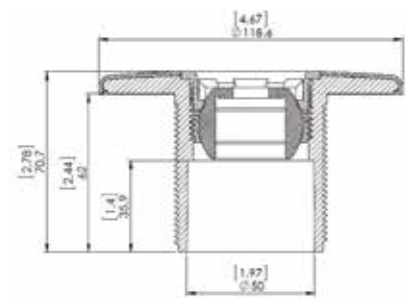
## DIMENSIONS AND PERFORMANCE



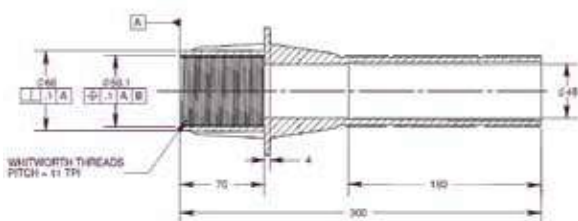
Floor Inlet



Wall Inlet



Suction Fitting



Wall Conduit

# STARGUARD® MAIN DRAINS

## MAIN DRAIN FRAME AND GRATE

StarGuard Main Drains comply with provisions of the ANSI/APSP-16 2011 standard and the Virginia Graeme Baker Pool and Spa Safety Act. High quality StarGuard main drains are available in white, black, gray, and dark gray as well as a variety of configurations to fit most residential inground pool or spa installations. StarGuard main drains have an industry leading 15.35 square inches of open area for water flow and allow flow rates up to 72 GPM at 1-1/2 ft./sec.

### Featured Highlights

- Improved 8 in. Round Main Drain
- Available in Multiple Colors
- Compliant with the Virginia Graeme Baker Act



Short Ring - Black



Short Ring - Dark Gray



Short Ring - Gray



Long Ring - White

### ORDERING INFORMATION

Product	Description	Flow Rate Floor (GPM)	Flow Rate Wall (GPM)	Open Area (Sq. In.)
<b>8 In. Starguard Cover With Long Ring</b>				
500108	8 in. StarGuard cover w/ long ring - (single), white	144	112	15.35
500100	8 in. StarGuard cover w/ long ring - (single), black	144	112	15.35
500101	8 in. StarGuard cover w/ long ring - (single), dark gray	144	112	15.35
500102	8 in. StarGuard cover w/ long ring - (single), gray	144	112	15.35
500140	8 in. StarGuard cover w/ long ring - (2 pack), white	144	112	15.35
500141	8 in. StarGuard cover w/ long ring - (2 pack), black	144	112	15.35
500142	8 in. StarGuard cover w/ long ring - (2 pack), dark gray	144	112	15.35
500143	8 in. StarGuard cover w/ long ring - (2 pack), gray	144	112	15.35
<b>8 In. Starguard Cover With Short Ring And Cover</b>				
500103	8 in. StarGuard cover w/ short ring - (single), white	144	112	15.35
500104	8 in. StarGuard cover w/ short ring - (single), black	144	112	15.35
500105	8 in. StarGuard cover w/ short ring - (single), dark gray	144	112	15.35
500106	8 in. StarGuard cover w/ short ring - (single), gray	144	112	15.35
500144	8 in. StarGuard cover w/ short ring - (2 pack), white	144	112	15.35
500145	8 in. StarGuard cover w/ short ring - (2 pack), black	144	112	15.35
500146	8 in. StarGuard cover w/ short ring - (2 pack), dark gray	144	112	15.35
500147	8 in. StarGuard cover w/ short ring - (2 pack), gray	144	112	15.35
<b>8 In. Starguard Drain With 2 In. Side And 1-1/2 In. Bottom Ports Abs Sump With Ring And Cover</b>				
500110	8 in. StarGuard drain w/ 2 in. side & 1-1/2 in. bottom ports ABS sump w/ ring & cover - (2 pack), white	144	112	15.35
500111	8 in. StarGuard drain w/ 2 in. side & 1-1/2 in. bottom ports ABS sump w/ ring & cover - (2 pack), black	144	112	15.35
500113	8 in. StarGuard drain w/ 2 in. side & 1-1/2 in. bottom ports ABS sump w/ ring & cover - (2 pack), dark gray	144	112	15.35
500114	8 in. StarGuard drain w/ 2 in. side & 1-1/2 in. bottom ports ABS sump w/ ring & cover - (2 pack), gray	144	112	15.35

# STARGUARD® MAIN DRAINS (CONT'D)

Product	Description	Flow Rate Floor (GPM)	Flow Rate Wall (GPM)	Open Area (Sq. In.)
---------	-------------	-----------------------	----------------------	---------------------

## 8 In. Starguard Drain With 2 In. Side Port Abs Sump With Ring And Cover

500115	8 in. StarGuard drain w/ 2 in. side port ABS sump w/ ring & cover (2 pack), white	144	112	15.35
500116	8 in. StarGuard drain w/ 2 in. side port ABS sump w/ ring & cover (2 pack), black	144	112	15.35
500117	8 in. StarGuard drain w/ 2 in. side port ABS sump w/ ring & cover (2 pack), dark gray	144	112	15.35
500118	8 in. StarGuard drain w/ 2 in. side port ABS sump w/ ring & cover (2 pack), gray	144	112	15.35

## 8 In. Starguard Drain With Dual 2 In. Bottom Ports Abs Sump And Cover

500120	8 in. StarGuard drain w/ dual 2 in. bottom ports ABS sump & cover (2 pack), white	144	112	15.35
500121	8 in. StarGuard drain w/ dual 2 in. bottom ports ABS sump & cover (2 pack), black	144	112	15.35
500122	8 in. StarGuard drain w/ dual 2 in. bottom ports ABS sump & cover (2 pack), dark gray	144	112	15.35
500123	8 in. StarGuard drain w/ dual 2 in. bottom ports ABS sump & cover (2 pack), gray	144	112	15.35

## 8 In. Starguard Drain With 2 In. Side And 1-1/2 In. Bottom Vinyl Liner Abs Sump

500130	8 in. StarGuard drain w/ 2 in. side & 1-1/2 in. bottom vinyl liner ABS sump (2 pack), white	144	112	15.35
--------	---	-----	-----	-------



500108  
8 in. StarGuard cover  
w/ long ring



500103  
8 in. StarGuard cover  
w/ short ring



500110  
8 in. StarGuard drain w/ 2 in. side  
& 1-1/2 in. bottom ports ABS sump  
w/ ring & cover



500115  
8 in. StarGuard drain  
w/ 2 in. side port ABS  
sump w/ ring & cover



500120  
8 in. StarGuard drain w/  
dual 2 in. bottom ports  
ABS sump & cover



500130  
8 in. StarGuard drain w/ 2 in.  
side & 1-1/2 in. bottom vinyl  
liner ABS sump

# POOL SPECIALTY FITTINGS



Hydrostatic Relief Valve



542044

Pentair plumbing unions are available in a wide variety of configurations. Specialty fittings such as the snap lock wall fitting, anchor cup and rope hooks and the molded recessed steps are designed for ease of installation. Deck valve lid and ring allow for access to under deck valves and fittings. These fittings are manufactured to Pentair's high standards.

## ORDERING INFORMATION

Product	Description	Carton Qty.	Carton Wt. (Lbs.)
<b>Hydrostatic Relief Valve</b>			
07017-0151	1-1/2 in. NPT hydrostatic valve		0.2
07017-0158	2 in. NPT hydrostatic valve		0.2
08417-0000	2 in. Slip with 1-1/2 in. slip bushing, white <sup>3</sup>	1	1
542044	Anchor Cup with SS bar, white <sup>1</sup>	100	24

## WALL FITTINGS - INLETS



540000



540014



540028



540008



540018

Directional eyeball inlets with 1-1/2 in. MIP thread to fit standard female adapter or wall fitting

## ORDERING INFORMATION

Product	Description	Carton Qty.
<b>1-1/2 Inch Threaded Directional Eyeballs</b>		
540000	Slotted Directional Eyeball Inlet Fiting with 1-1/2-Inch MIP Thread, White	50
540014	Directional Eyeball Inlet Fitting with 1/2-Inch Opening and 1-1/2-Inch MIP Thread, White	50
540028	Directional Eyeball Inlet Fitting with 1-Inch Opening and 1-1/2-Inch MIP Thread, White	50
540008	0.38" MPT and 1.5" Orifice Inlet Fitting - Black	50
540016	1.5" MPT and 0.5" Orifice Inlet Fitting - Dark Gray	50



# AUTOMATIC WATER FILLERS

## WATER LEVEL CONTROL



### FEATURED HIGHLIGHTS

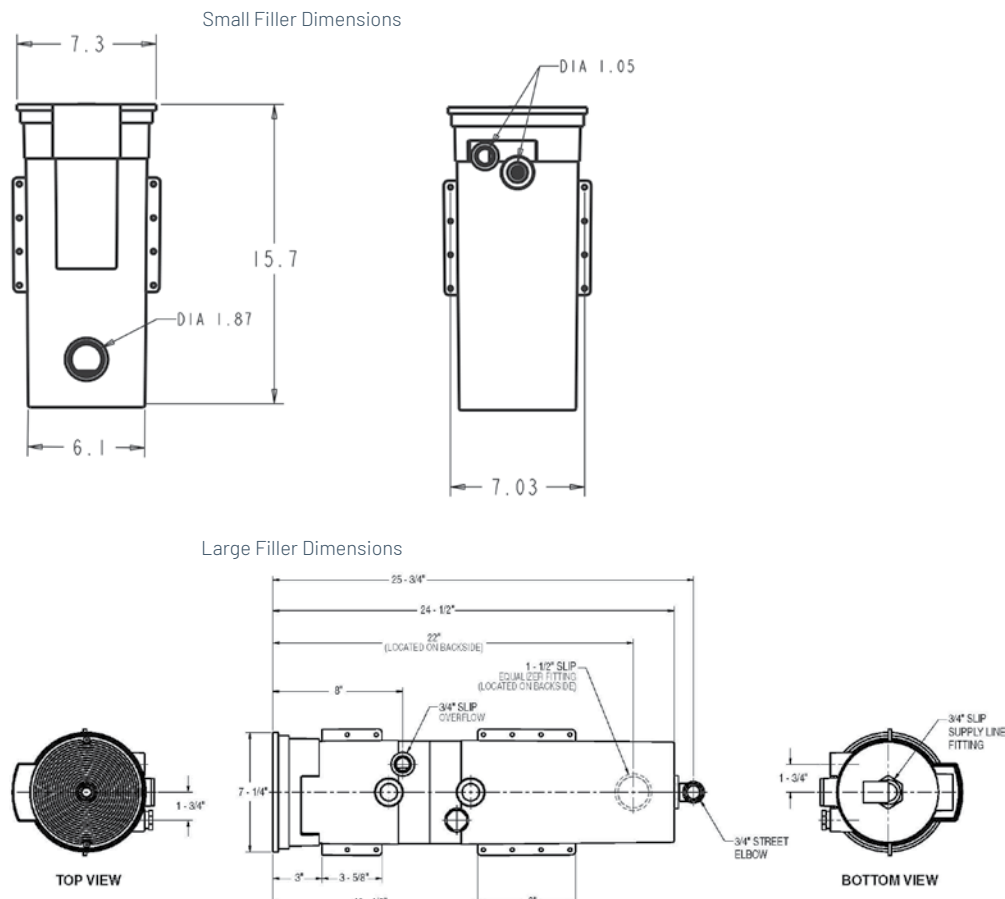
- Available for standard in-ground and vanishing edge pools.
- Prevents equipment damage due to low water levels.
- No electronic controls.
- Prevents water waste and landscape damage due to overfilling pool.
- Available with white, black, grey, and almond colored lids.

**Automatic Water fillers** are the latest in automatic pool and spa water level controls and are available for both standard and vanishing edge pools.

### ORDERING INFORMATION

Product	Description	Carton Qty.
<b>Automatic Water Fillers</b>		
T40BW	AutoFill w/ side mounted float valve, white	1

### DIMENSIONS AND PERFORMANCE







# MAINTENANCE & SAFETY



# BRUSHES AND SCRUBBERS



## FEATURED HIGHLIGHTS

### Curved Brushes

- UV stabilized polypropylene or nylon bristles.
- Snap-adapt handle fits most poles.
- Aluminum Back Brushes with strong die cast aluminum back.
- Molded Brushes with heavy-duty one piece molded construction.
- Model 907 has a 50/50 blend of stainless and nylon bristles. Recommended for new pool start-up brushing or mild algae cleaning.

### Stainless Steel Algae Brushes

- All algae brushes feature quality stainless steel bristles.
- Perfect for removing tough algae on plaster surfaces.

## ORDERING INFORMATION

Product	Model	Description	Carton Qty.	Carton Wt. (Lbs.)
---------	-------	-------------	-------------	-------------------

### Curved Brushes

R111046	92	18 in. Aluminum Back White nylon	12	13
R111316	902	18 in. Aluminum Back White polypropylene	12	12
R111358	907 <sup>1</sup>	18 in. Aluminum Back Blended, stainless & nylon	12	13

### Algae Brush – (not for Vinyl Liner Pools)

R111616	604A	6 in. Aluminum Back, Stainless Steel for plaster, Concrete, Gunite	12	6
R111626	709	9 in., Aluminum Back Stainless Steel for plaster, Concrete, Gunite	12	9
R111646	718	18 in., Aluminum Back Stainless Steel for plaster, Concrete, Gunite	12	15

<sup>1</sup> Not for use on vinyl liner pools.

**Note:** All items with snap-adapt handle include Delrin® resin Spring and will snap into all standard poles or can be bolted on, if preferred, simply by removing Delrin Spring.  
Delrin® is a registered trademark of E.I. DuPont De Nemours and Co.



H-RA-P123CB



H-RA-P036



H-RA-P025CB

Model	Description	Min Qty.
H-RA-P036	Standard wall brush 457mm (18") with curved ABS molded back	12 pcs <sup>1</sup>
H-RA-P025CB	457mm (18") wall brush Deluxe with aluminum back (curved)	12 pcs <sup>1</sup>
H-RA-P123CB	Small aluminum back algae brush and stainless bristles	12 pcs <sup>1</sup>

<sup>1</sup> Minimum quantity = box quantity

# FLOATS, FLOAT ROPE, AND SAFETY HOOK



## FEATURED HIGHLIGHTS

### Floats & Safety Equipment

- Unsinkable, durable, polyethylene floats are available in a variety of sizes.

## ORDERING INFORMATION

Product	Model	Description	Carton Qty.	Carton Wt. (Lbs.)
<b>Safety Pool Hook</b>				
R221026	153	Fits any standard straight pole (do not attach to telescopic poles), nut. Mounting Hardware set not included. See item R221030	12	14
<b>Swim Teacher</b>				
R221056	58	Two 7 in. x 7 in. poly floats with 30 in. white PVC bar, packed in bag with header	6	10

# FLOATING CHEMICAL DISPENSERS



## FEATURED HIGHLIGHTS

For use with Bromine or slow dissolving Trichlor tablets

### 330 Floating Chemical Dispenser

- Linear polyethylene construction and foam filled for added buoyancy. Has twist lock cap and adjustable control ring. Holds six 3 in. or 3 lbs. of 1 in. tablets.

## ORDERING INFORMATION

Product	Description	Carton Qty.	Carton Wt. (Lbs.)
---------	-------------	-------------	-------------------

### 330 Floating Chemical Dispenser

R171060	Floating Chemical Dispenser with screen installed between adjustment ring and body	12	11
R171086	Blue and white Floating Chemical Dispenser	12	11



H-RA-P033



H-RA-P063



H-RA-171060

Model	Description	Min Qty.
H-RA-P033	Floating chlorine dispenser, twist lock cap and adjustable ring (Ø 5")	12 pcs <sup>1</sup>
H-RA-P063	Floating chlorine dispenser, twist lock cap and adjustable ring (Ø 7")	12 pcs <sup>1</sup>
H-RA-171060	Floating dispenser with screen	12 pcs <sup>1</sup>

<sup>1</sup> Minimum quantity = box quantity

# HAND SKIMMERS AND LEAF RAKES



## FEATURED HIGHLIGHTS

Snap-adapt handles allow for use with most poles

### Hand Skimmers

- Heavy-duty reversible nets stand up to tough wear.

### 122 Leaf Rake

- Designed to easily remove leaves and debris. Screen and frame completely covered with squeegee for scraping fine, loose debris on pool bottom.

### 123 Econo Leaf Rake

- ABS molded frame with aluminum reinforcement.

### 117 Pro Leaf Rake

- Replaceable snap-on frame and net fits on 3/8 in. solid anodized aluminum rod.

## ORDERING INFORMATION

Product	Model	Description	Carton Qty.	Carton Wt. (Lbs.)
---------	-------	-------------	-------------	-------------------

### Hand Skimmers

R121166	124S	Spa/Aboveground Skimmer, screen molded into frame, with magnet	12	7
---------	------	--	----	---

### Leaf Rakes

R121106	122	Leaf rake, 3/8 in. aluminum rod with attached handle and heavy-duty fiberglass screen	12	18
R121126	123	Econo leaf rake, ABS molded frame reinforced with aluminum, frame has raised lip for scraping bottom	12	

Model	Description	Min Qty.
H-RA-P031	Deluxe Pro leaf skimmer	12 pcs <sup>1</sup>
H-RA-P030	Deluxe Pro deep leaf rake	12 pcs <sup>1</sup>

<sup>1</sup> Minimum quantity = box quantity

# TELESCOPIC POLES



## FEATURED HIGHLIGHTS

- Rainbow Lifeguard Telescopic Poles are constructed of high quality drawn aluminum tubing. The 1-1/8 in. OD inside tube is clear anodized and the 1-1/4 in. OD outer tube is bright blue anodized. Each has a bicycle type vinyl hand grip and packed in a protective poly sleeve.
- Rainbow Lifeguard Fiberglass Poles with E-Z Lock compression lock are manufactured to withstand abuse. Required for service pros in areas where protection from electrical shock is mandatory. UV protective coating helps prevent splintering with age.

## ORDERING INFORMATION

Product	Model	Description	Carton Qty.	Carton Wt. (Lbs.)
<b>Poles</b>				
R500070	406-16	2 piece telescopic "ribbed" pole - E-Z lock Cam - 8 ft.-16 ft.	12	28
R500072	406-12	2 piece telescopic "ribbed" pole - E-Z lock Cam - 6 ft.-12 ft.	12	22
R191046	812-16	2 piece telescopic pole - Metal Cam - 8 ft. to 15-1/2 ft.	12	36
R191088	806-24	Commercial Aluminum Pole - 12 ft. to 23-1/2 ft. E-Z Lock	12	52
R191090	812-24	Commercial Aluminum Pole - 12 ft. to 23-1/2 ft. Metal cam	12	52



Product	Description	Min Qty.
H-RA-P097	Telescopic pole 1,20m » 2,40m - Teleskopstange 1,20m » 2,40m	12 <sup>1</sup>
H-RA-P096	Telescopic pole 1,86m » 3,66m - Teleskopstange 1,86m » 3,66m	12 <sup>1</sup>
H-RA-P095	Telescopic pole 2,44m » 4,88m	12 <sup>1</sup>

<sup>1</sup> Minimum quantity = box quantity

H-RA-P095 / -P096 / -P097



# TEST REAGENTS



## ORDERING INFORMATION

Product	Description	Min Qty	
<b>Solutions</b>			
R161025	OTO Solution No. 2, 1 ounce <sup>1</sup>	48	6
R161094	pH Solution Phenol Red with Chlorine Neutralizer, 1 ounce	48	6

<sup>1</sup>Replaces Solution "A"0

Note: Products containing OTO not available in the State of California.

# TEST KITS

DPD, BROMINE, PH & CHLORINE TEST KITS



## FEATURED HIGHLIGHTS

Rainbow Lifeguard testing kits and chemicals are manufactured under the strictest quality control standards in a laboratory staffed by certified chemists where all Rainbow Test Solutions are formulated and packaged. To guarantee reliability, test reagents should be replaced annually. Replacement and bulk reagents are available in a variety of sizes and packaging.

## ORDERING INFORMATION

Product	Model	Description	Min Qty	
<b>DPD Test Kits</b>				
R151190	77DPD	4 in 1 Chlorine/Bromine test kit. DPD No. 1 and No. 3 tablets, solutions No. 2, No. 3, No. 4, No. 5, wide Lucite test cell	12	16
<b>pH &amp; Chlorine Test Kits</b>				
R151076	752	"2 n 1" Test Kit 1/2 oz. OTO and Pre-Blended pH, Cl range 0.3-3.0, blue hinged case, packed 12 Kits per counter dispenser	24	10
R151186	78HR	"All-in-One" 4 Way Test Kit, Cl, pH, Acid Demand, Total Alkalinity, Lucite test cell with wide standards, 1 oz. No. 1, No. 2, No. 3, 1/2 oz. No. 4, No. 5, water test booklet, blue display box	12	16
H-RA-P102		TRefill package		12 <sup>1</sup>
H-RA-P029		Test kit Cl + pH		12 <sup>1</sup>

<sup>1</sup>Minimum quantity = box quantity

# RAPID TEST STRIPS AND DIGITAL SALT TESTER



Rapid Test Strips



Digital Salt Tester

## FEATURED HIGHLIGHTS

- Rapid Test Strips - Dip...swirl...and read instantly. No waiting.
- 3-Way Strip Tests for Free Chlorine or Bromine, pH, and Alkalinity  
50 Rapid Tests per bottle.

## ORDERING INFORMATION

Product	Description	Carton Qty.	Carton Wt. (Lbs.)
<b>Rapid Test Strips</b>			
R161566	3-Way free Cl/Br, pH and TA with display box.	12	2
<b>Digital Salt Tracer</b>			
200064	QuickTest™ Salt Tracer Kit, includes handheld meter, 50 phosphate test strips, water sample cup, 2 vials of conductivity standard test solutions, carrying case		3
200065	Replacement Phosphate Test Strips, Clamshell - 50 strips/pack WHT	6	2
200066	Replacement QuickTest Calibration Solution	12	1.5

# THERMOMETERS



## FEATURED HIGHLIGHTS

High-quality pool and spa thermometers help deliver accurate temperature readings for greater enjoyment of recreational water. Pool thermometers also provide crucial information about the performance of pool heating systems.

## ORDERING INFORMATION

Product	Model	Description	Carton Qty.	Carton Wt. (Lbs.)
<b>Thermometers</b>				
R141036	127	Tube thermometer, ABS case, 3 ft. cord, bubble pack	24	4
R141076	130	Chrome brass thermometer, blown glass tube secured in brass tubing, 3 ft. cord, bubble pack	24	6

Product	Description	Min Qty
<b>Thermometers</b>		
H-RA-P080	Sink or float thermometer	12 pcs <sup>1</sup>
H-RA-P832BP	Thermometer - whale	blister pack 24 pcs <sup>1</sup>
H-RA-P837BP	Thermometer - goldfish	blister pack 24 pcs <sup>1</sup>
H-RA-K500015	Oval thermometer	blister pack 12 pcs <sup>1</sup>

<sup>1</sup> Minimum quantity = box quantity

# VINYL LINER POOL VACUUMS



## FEATURED HIGHLIGHTS

### 193 Lifeguard® Vinyl Liner Vacuum

- Oval shaped blue ABS with protective vinyl bumper. Ideal for vinyl liner pools or use on new plaster pools. Replaceable brushes, enclosed lead weights and snap-adapt handle. Fits 1-1/4 in. or 1-1/2 in. vacuum hose.

### 194 Econo Triangular Vacuum

- Sand weighted ABS body with replaceable brushes and snap-adapt handle. Fits 1-1/4 in. or 1-1/2 in. vacuum hose.

## ORDERING INFORMATION

Product	Model	Description	Carton Qty.	Carton Wt. (Lbs.)
---------	-------	-------------	-------------	-------------------

### Vinyl Liner Pool Vaccums

R201350 <sup>1</sup>	193	Lifeguard vinyl liner vacuum, clam shell display pack	6	21
R201392 <sup>1</sup>	194	Econo triangular vacuum, clam shell display pack	6	26

<sup>1</sup> All items with snap-adapt handle include a High Performance Acetal Resin spring and will snap into all standard poles or can be bolted on if preferred simply by removing Acetal Resin spring.

# FLEXIBLE POOL VACUUMS

## CONCRETE POOLS



## FEATURED HIGHLIGHTS

### 188 Lifeguard®

- Rugged polyethylene housing with enclosed weights. Adjustable solid molded wheels with stainless steel fasteners. Snap-adapt handle.

### 203 Superfl ex 14 in. Flexible Vacuum

- Has factory set replaceable molded wheels and fasteners. Includes covered weights and snap-adapt handle with stainless steel wallhugging spring device.

## ORDERING INFORMATION

Product	Model	Description	Carton Qty.	Carton Wt. (Lbs.)
---------	-------	-------------	-------------	-------------------

### Flexible Pool Vaccums

R201112	188	Lifeguard 12 in. fl exible vacuum, clam shell display pack	6	35
R201388	203	Superfl ex 14 in. fl exible vacuum, clam shell display pack	6	25

# PROVAC® II

## FLEXIBLE COMMERCIAL VACUUMS



### FEATURED HIGHLIGHTS

- Eco Select™ brand environmentally friendly composite weight system.
- Suction chamber concentrates vacuum velocity for fast thorough cleaning.
- Convertible wheel system - locks for straight cleaning pattern or pivots 360° for additional coverage.
- Ultra smooth ball bearing wheels for effortless movement.
- Flexible body hugs pool contours connection.

### ORDERING INFORMATION

Product	Model	Description	Carton Qty.	Carton Wt. (Lbs.)
<b>Provac II</b>				
200084	216	16 in. environmentally friendly, high performance vacuum with convertible wheel system	6	48

# PROVAC®

## FLEXIBLE COMMERCIAL VACUUMS

### FEATURED HIGHLIGHTS

#### ProVac® Residential & Commercial Vacuums

- The ProVac cleans a pool bottom in half the time.
- Suction chamber concentrates vacuum velocity equally.
- Full width flex strips guide debris into the suction chamber.
- All wheels are adjustable to increase or decrease the vacuum velocity.
- Includes 1-1/2 in. vac hose swivel connection.

#### 250 Swivel Wheel 19 in. Commercial Flexible Vacuum

- ABS and polyethylene wheels with 6 lead weights swivel in any direction.
- 19 in. body has 1-1/2 in. vacuum swivel adapter which allows hose to move freely without twisting. 2 in. hose fits directly on vacuum.
- Has snap-adapt handle and all component parts are replaceable steel wallhugging spring device.



### ORDERING INFORMATION

Product	Model	Description	Carton Qty.	Carton Wt. (Lbs.)
<b>250 Commercial Flexible Vacuum</b>				
R201126	250	Swivel wheel 19 in., boxed	4	37
<b>Provac Series Residential &amp; Commercial Vacuums</b>				
R201276	214	14 in. Commercial model, metal swivel handle, ball bearing wheels, SS nut and bolt, boxed	6	46
R201286	222	22 in. Commercial model, metal swivel handle, ball bearing wheels, stainless steel shaft, boxed	1	9

# POOL VACUUMS



H-RA-P023



H-RA-P108



H-RA-P051CS



H-RA-P052



PWG9018BX

## ORDERING INFORMATION

Product	Description	Min Qty
<b>Pool Vaccums</b>		
H-RA-P023	Special contour shape Deluxe vacuum with protective vinyl bumper and weights	12 pcs <sup>1</sup>
H-RA-P108	Large shaped white ABS vacuum w/ bumper, weights and side brushes	12 pcs <sup>1</sup>
H-RA-P051CS	356mm (14") fl exible vacuum - Flexibler Sauger 356mm (14")	12 pcs <sup>1</sup>
H-RA-P052	Triangular shaped, weight, see-through design with protective vinyl bumper	12 <sup>1</sup>
PWG9018BX	14" (34.5cm) Heavy Aluminium 1.5" Conn	-
PWG9028BX	18" (44.5cm) Heavy Aluminium 1.5" Conn	-

<sup>1</sup> Minimum quantity = box quantity

# MISCELLANEOUS ACCESSORIES



## ORDERING INFORMATION

Product	Description	Min Qty
<b>Miscellaneous Accessory</b>		
H-RA-P077	Scrubber fine grade pad	12 <sup>1</sup>

<sup>1</sup> Minimum quantity = box quantity





# LIFTS & DECK EQUIPMENT



# AQUATRAM™ POOL ACCESS LIFTS

ADA-COMPLIANT COMMERCIAL POOL LIFTS



AquaTRAM PT



AquaTRAM LT



AquaTRAM



AquaTRAM 360

## FEATURED HIGHLIGHTS

- All AquaTRAM lifts comply with ADA Guidelines.
- Dual flip-up arm rests provide easy and safe access.
- Rechargeable battery-powered operation for easy use.
- Comfortable seat with adjustable lap belt.
- Simple-to-operate controls provide easy access in and out of pool.
- Stainless steel with corrosion-resistant powder coated finish.
- Lifting capacities up to 500 pounds.

## ORDERING INFORMATION

Product	Description	Carton Qty.	Carton Wt. (Lbs.)
<b>Aquatram™ PT</b>			
11280	AquaTRAM™ PT Portable Lift	1	425
<b>Aquatram™ LT</b>			
11230	AquaTRAM™ LT Lift with Anchor Kit	1	200
11230	AquaTRAM™ LT Lift without Anchor Kit	1	190
<b>AQUATRAM™</b>			
11200	AquaTRAM™ Lift with Anchor	1	200
11200-A	AquaTRAM™ Lift without Anchor	1	190
11201	AquaTRAM™ Lift with Anchor-Left facing	1	200
11201-A	AquaTRAM™ Lift without Anchor-Left facing	1	190
<b>AQUATRAM™ 360</b>			
11250	AquaTRAM™360 Lift with Anchor	1	335
11250-A	AquaTRAM™360 Lift without Anchor	1	325

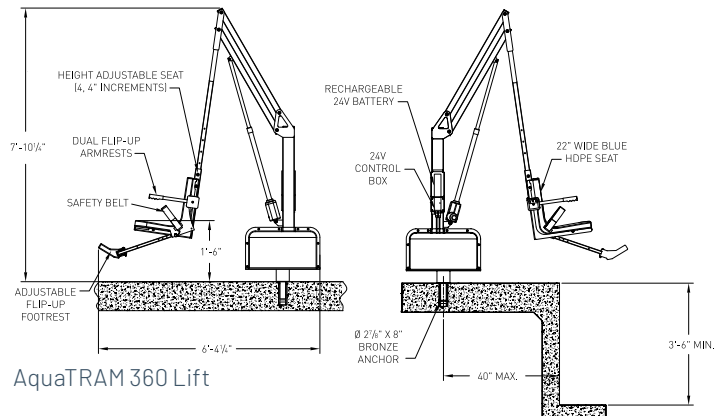
Note: Not every lift will work for every application and pool profile. To ensure that you are selecting an appropriate lift for your facility, please refer to our AquaTRAM verification guides or contact customer service for additional applications assistance. AquaTRAM verification guides are available on our website at [www.pentaircommercial.com](http://www.pentaircommercial.com).



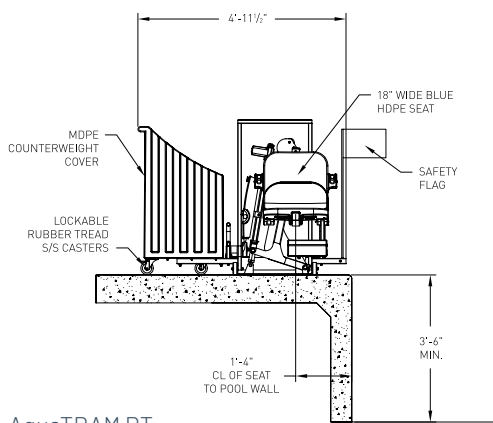
# AQUATRAM™ POOL ACCESS LIFTS (CONT'D)

## ADA-COMPLIANT COMMERCIAL POOL LIFTS

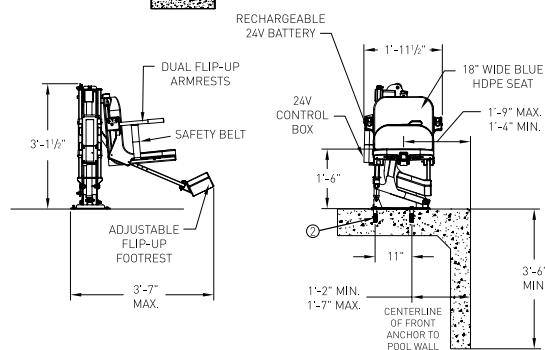
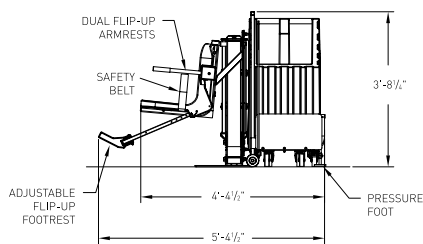
Vital Features	Aqua TRAM 360 with in-deck tool-free anchoring	Aqua TRAM with in-deck tool-free anchoring	Aqua TRAM LT with lag-bolt anchoring	Aqua TRAM PT Portable Lift
Lifting capacity	500 lbs.	400 lbs.	300 lbs.	350 lbs.
ADA Compliant	✓	✓	✓	✓
360° rotation in either direction for tight-area access	✓			
Boom arm design adapts to the most demanding and specialized applications; superb reach and wall clearance	✓			
Can serve 2 adjoining pools with 1 lift	✓			✓
Low profile design uses minimal deck space		✓	✓	
Compact and lightweight, fits through most doorways		✓	✓	✓
Secure in-deck anchoring with patented design; tool-free removal; portable with optional Transport Cart	✓	✓		
Lag bolt anchoring, quick removal with tools; portable with optional Transport Cart			✓	
Dual flip-up armrests for easy access and safer transfers	✓	✓	✓	✓
Adjustable & removable footrest fits users across a wide range of sizes	✓	✓	✓	✓
Adjustable lap belt with hook & eye fastening	✓	✓	✓	✓
Easy-to-use Slim Line controls can be operated from seat	✓	✓	✓	✓
Stainless steel construction, durable powder-coat finish	✓	✓	✓	✓
Battery-operated; easier to install & smoother transport than water power	✓	✓	✓	✓
Slim, one-piece 24v rechargeable battery	✓	✓	✓	✓
Submersible remote	✓	✓	✓	✓
5-year Limited Warranty (pro-rated after Year 2 on electronics)	✓	✓		
Lifetime Limited Warranty on frame	✓	✓		
2-year Limited Warranty			✓	✓



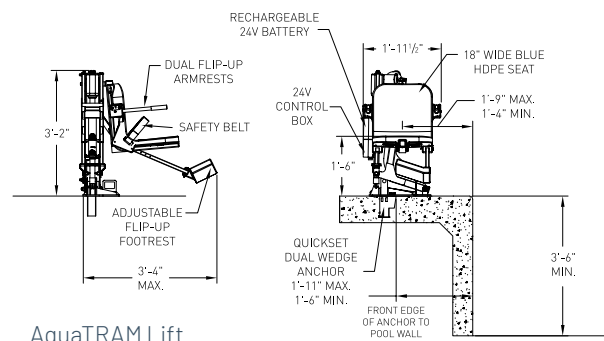
AquaTRAM 360 Lift



AquaTRAM PT



AquaTRAM LT Lift



AquaTRAM Lift

# MOVEABLE AND PORTABLE (CONT'D)

## LIFEGUARD CHAIRS

### PORTABLE CHAIRS

Portable 2-, 3-, and 4-step models are for areas not requiring a full height chair. Light enough to be lifted easily by one person (the 4-step weighs only 70 lbs.). Sloping front ladder with 19" sloping steps allows access to molded contour seat. Angled legs add stability. (WARNING: Chairs are not suitable for diving nor recommended for use with umbrellas under windy conditions.)



Product	Description
<b>4-STEP</b>	
20401	6'-0" above deck
<b>3-STEP</b>	
20460	4'-6" above deck
<b>2-STEP</b>	
20450	3'-10" above deck

### OPTION

Optional wheels can be retrofit for added mobility. Includes 4" wheels with mounting bracket and hardware.



Product	Description
<b>4-STEP KIT</b>	
20404	Optional wheels
<b>3-STEP KIT</b>	
20403	Optional wheels
<b>2-STEP KIT</b>	
20402	Optional wheels

# LOOKOUT FAMILY

## LIFEGUARD CHAIRS

Lookout chairs have a roomier, non-skid surface platform. Stand is at a low height to allow for a faster dismount. These chairs can be placed closer to pool edge for circumstances where space is a consideration.



Product	Description
---------	-------------

### Lookout dual side mount

20380	Ideal for pools with limited deck space. Convenient access from both sides allows lifeguard change with uninterrupted coverage. Portable, solid stainless steel frame, swivel seat is mounted on a 4' x 4' platform. Access steps are 26". Seat height is 54" from deck. Platform height is 36" from deck. Wheels allow for easy relocation.
-------	--

### Lookout platform chair

20370	Engineered especially for busy aquatic facilities and water parks. Access from both sides allows uninterrupted guard change. Sloping steps allow quicker dismount. Portable, solid stainless steel frame, seat mounted on an extra large 60" x 40" platform. Utilizes 26" steps. Seat height is 54" from deck. Platform height is 36" from deck.
-------	--



# ACCESSORIES

## LIFEGUARD CHAIRS

### LIFEGUARD CHAIR SEAT



Product	Description
<b>1-STEP STANDARD MODEL</b>	
20701	One piece molded fiberglass reinforced, turquoise, plastic seat with stainless steel mounting bolts.
20701W	White Seat

### CUSHIONED SEAT UPGRADE/RETROFIT



Product	Description
<b>Upgrade for New Lifeguard Chairs</b>	
20703	The Cushioned Seat mounts to our existing swivel support pedestals and is offered as an upgrade for new lifeguard chair orders. The seat can also be retrofitted to existing lifeguard chairs with a swivel support pedestal in the field. Made from high impact plastic with cushions covered in marine grade vinyl. Seat folds down to prevent UV damage. Mounting adaptor plate and hardware kit included.
<b>Retrofit for Existing Lifeguard Chairs</b>	
20705	The Cushioned Seat mounts to our existing swivel support pedestals and is offered as an upgrade for new lifeguard chair orders. The seat can also be retrofitted to existing lifeguard chairs with a swivel support pedestal in the field. Made from high impact plastic with cushions covered in marine grade vinyl. Seat folds down to prevent UV damage. Mounting adaptor plate and hardware kit included.

### SWIVEL CHAIR SEAT SUPPORT



Product	Description
<b>Swivel chair seat support</b>	
93970	Stainless steel welded assembly ready for installation. Designed to render proper seating angle when mounted to plastic seat. Has 360° swivel capability with bearing surface of low friction non-metallic disc to prevent seizing or binding due to corrosion. Rugged construction. Hardware is not included.
20702	Seat Support Hardware

# VERTICAL LADDERS

Cross-brace  
(optional)



The ladders shown on these pages offer the most convenient method of pool entry wherever stairs cannot be used. Each ladder comes standard with two frames and injection molded ABS-UV inhibited steps bolted between them. They can also be provided with stamped stainless steel steps upon request.

All frames are made of corrosion resistant T304 stainless steel, 1.90" O.D. tube and provide ample length for a 4" anchor penetration. The bolts have contoured heads curved to fit the tubing of the frames. All ladder styles with frames resting against the pool wall have rubber bumpers to prevent damage to the wall. All vertical ladders use 19" vertical steps, are similar in appearance and vary only in:

- Wall thickness of tubing (.065", .109" or .145")
- Width of frames from front to back (24", 29", or 35")
- Number of steps (2 to 5)
- Florida and Therapy styles

Anchor sockets and escutcheon plates are not included with ladders and must be ordered separately.

## ORDERING INFORMATION

	HEAVY DUTY LADDERS						DELUXE LADDERS	
	24" Width		29" Width		35" Width		24" W	29" W
	.145"	.109"	.145"	.109"	.145"	.109"	.065"	.065"
2 Step	42201	42213	42205	42217	42209	42221	42301	42305
3 Step	42202	42214	42206	42218	42210	42222	42302	42306
4 Step	42203	42215	42207	42219	42211	42223	42303	42307
5 Step	42204	42216	42208	42220	42212	42224	42304	42308

	CROSS BRACED LADDERS								
	24" Width			29" Width			35" Width		
	.145"	.109"	.065"	.145"	.109"	.065"	.145"	.109"	.065"
2 Step	42201	42213	42125	42205	42217	42129	42109	42121	42133
3 Step	42202	42214	42126	42206	42218	42130	42110	42122	42134
4 Step	42203	42215	42127	42207	42219	42131	42111	42123	42135
5 Step	42204	42216	42128	42208	42220	42132	42112	42124	42136

	FLORIDA STYLE LADDERS			FLORIDA STYLE WITH CROSS BRACE		
	36" Width			29" Width		
	.145"	.109"	.065"	.145"	.109"	.065"
2 Step	42519	42515	42511	42159	42155	42151
3 Step	42520	42516	42512	42160	42156	42152
4 Step	42521	42517	42513	42161	42157	42153
5 Step	42522	42518	42514	42162	42158	42154

### Description

#### Heavy duty

(.109" or .145" wall thickness)  
For commercial and institutional use. Made only in thicker grades of stainless steel to withstand heavier usage.

#### Heavy duty

Recommended for heavy duty commercial use at public and institutional pools. Reinforced with cross braces for extra rigidity and strength.

#### Florida style

Offered in 3 grades (.065", .109", or .145" wall thickness). Extends extra high over deck to clear the 6" curb required on all Florida pools.

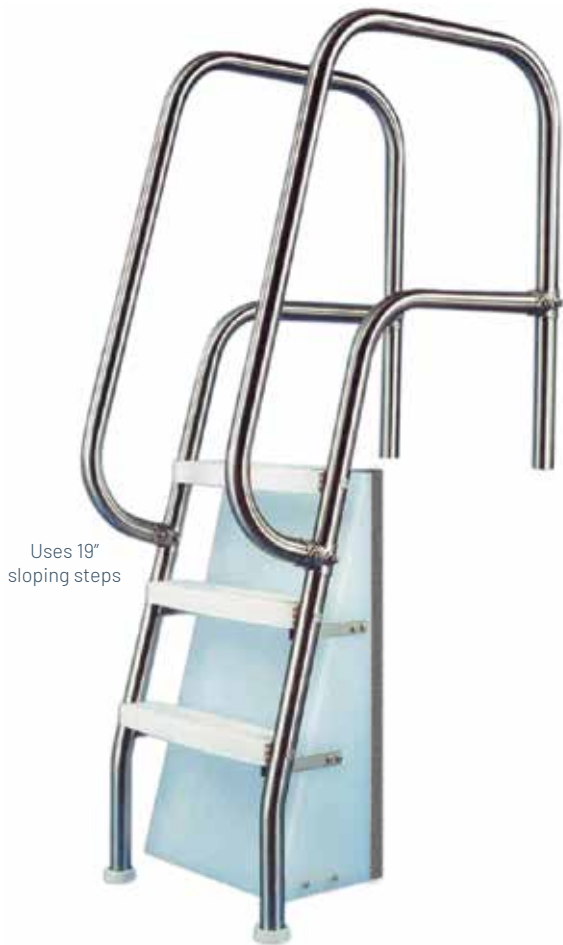
#### Florida style

Same as Florida Style but with cross braces for extra rigidity.

#### Deluxe

(.065" wall thickness)  
Recommended for residential pools and light commercial use. Ladder frames go slightly deeper into water and extend slightly higher above deck compared to normal residential ladders. Recommended only for concrete or vinyl-lined pools.

# VERTICAL LADDERS (CONT'D)



Uses 19" sloping steps

## FEATURED HIGHLIGHTS

### THERAPEUTIC LADDER

(shown with Safety Wedge)

Designed for hospital and/or handicapped treatment pools.

Sloping design, handrails and steps spaced 10" apart permit easy entry by the elderly or infirm.

If dimension from deck to pool floor is:

18" to 27" use 2-step

28" to 37" use 3-step

38" to 47" use 4-step

48" to 57" use 5-step

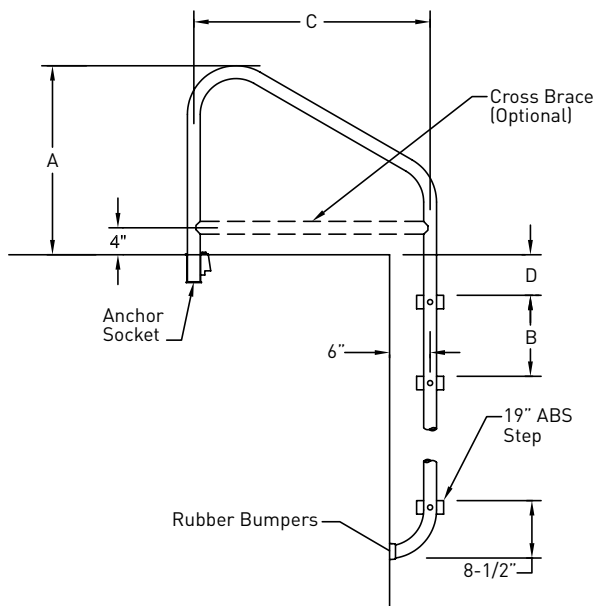
2 Step	42701	42705	42709
3 Step	42702	42706	42710
4 Step	42703	42707	42711
5 Step	42704	42708	42712

Product	Description
---------	-------------

### Safety wedge

42725	The protective wedge prevents swimmers from lodging between pool wall and ladder. To ensure maximum effectiveness each wedge is custom fit to each facility. Made from white polypropylene with stainless steel mounting brackets for easy installation or retrofit. (must be ordered separately)
-------	---

## DIMENSIONS



### LADDER REFERENCE DIMENSIONS

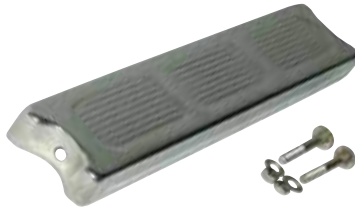
	A	B	C	D
Heavy Duty	28	12	24, 29, 35	6
Deluxe	28	12	24, 29	6
Florida	32	12	36	4

# LADDER SOLUTIONS



Sloping

Vertical



Product	Description
---------	-------------

**Sloping and vertical steps** (include hardware)  
 Shipped in individual bags containing installation instructions and maintenance information. These are molded from UV inhibited ABS.

44101	19" Vertical Step
44104	19" Sloping Step
44107	26" Vertical Step
44109	26" Sloping Step

### Stainless steel step

44102	19" Vertical Step (includes hardware) (4" Deep x 1.9" O.D. tubing)
-------	---

# COPING AND WATERFRONT LADDERS



Uses 19" vertical steps



Uses 19" vertical steps



Uses 19" vertical steps



Uses 19" sloping steps

Product	Description
---------	-------------

### Coping ladder

-	For vertical wall pools where anchorage to pool structure is desired rather than to deck.
---	---

### Pier ladder

-	For installation on fixed concrete piers where bottom support for ladder is not possible. Installed in anchor sockets cast into deck.
---	---

### Dock ladder

-	For installation on fixed wooden docks where bottom support for ladder is not possible. Fastened to decking with lag screws (included).
---	---

### Raft ladder

-	For installation on floating wooden rafts. Fastened with lag screws (included).
---	---

### 1.90" x .065" WALL THICKNESS

	Coping	Pier	Raft	Dock
2 step	42501	N/A	N/A	N/A
3 Step	42502	42601	42604	42607
4 Step	42503	42602	42605	42608
5 Step	N/A	42603	42606	42609

# OVERFLOW LADDERS

STAINLESS STEEL



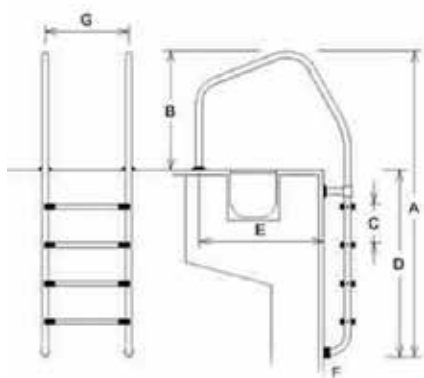
## TECHNICAL FEATURES

Available Corrosion Resistance AISI 304 and AISI 316. Bright polished and top quality stainless steel tubes. Supplied with accessories rubber bumpers, fixing anchors, escutcheon plates and stainless steel fasteners for simple trouble free installation.

Bright polished and top quality stainless steel tubes 43mm dia. (1.69 inches)

## PRODUCT SPECIFICATIONS

Part Number	Description
<b>Stainless Steel Overflow Ladders - SS304</b>	
11001150001	Overflow Ladder 2 Steps
11001150002	Overflow Ladder 3 Steps
11001150003	Overflow Ladder 4 Steps
11001150004	Overflow Ladder 5 Steps
<b>Stainless Steel Overflow Ladders - SS316</b>	
11001160001	Overflow Ladder 2 Steps
11001160002	Overflow Ladder 3 Steps
11001160003	Overflow Ladder 4 Steps
11001160004	Overflow Ladder 5 Steps



## DIMENSIONS

Steps	A	B	C	D	E	F	G
2	1460	750	250	710	842	180	500
3	1710	750	250	960	842	180	500
4	1960	750	250	1210	842	180	500
5	2210	750	250	1460	842	180	500

All dimensions are in mm



# STANDARD LADDERS

STAINLESS STEEL



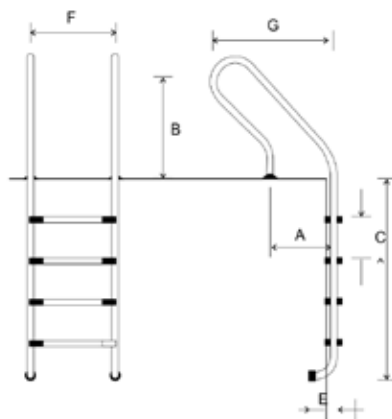
## TECHNICAL FEATURES

Available Corrosion Resistance AISI 304 and AISI 316. Bright polished and top quality stainless steel tubes. Supplied with accessories rubber bumpers, fixing anchors, escutcheon plates and stainless steel fasteners for simple trouble free installation.

Bright polished and top quality stainless steel tubes 43mm dia. (1.69 inches)

## PRODUCT SPECIFICATIONS

Part Number	Description
<b>Stainless Steel Ladders - SS304</b>	
PWG991814109	Mixed Ladder 2 Steps (Aslip) AISI 304
PWG991814110	Mixed Ladder 3 Steps (Aslip) AISI 304
PWG991814111	Mixed Ladder 4 Steps (Aslip) AISI 304
PWG991814112	Mixed Ladder 5 Steps (Aslip) AISI 304
<b>Stainless Steel Ladders - SS316</b>	
991826109	Mixed Ladder 2 Steps (Aslip) AISI 316
991826110	Mixed Ladder 3 Steps (Aslip) AISI 316
991826111	Mixed Ladder 4 Steps (Aslip) AISI 316
991826112	Mixed Ladder 5 Steps (Aslip) AISI 316



## DIMENSIONS

Steps	A	B	C	D	E	F	G
2	350	620	250	710	180	500	522
3	350	620	250	960	180	500	522
4	350	620	250	1210	180	500	522
5	350	620	250	1460	180	500	522

All dimensions are in mm

# RAIL SOLUTIONS

Choose from various styles of grab, deck and stair-mounted rails to fit your needs. The heavier the traffic, the heavier the tubing you should select. Custom designs are also available. Order separately: four anchor sockets and escutcheon plates for each pair of grab rails.

Rails are available in 1.90" x .065, 1.90" x .109, 1.90" x .145 O.D., T304/T304L or T316L stainless steel tubing, polished and buffed to a 320 grit finish. Manufactured custom rails are available in 1.50" x .120 O.D. Rectangular and square tubing can be provided upon request. Passivation is in compliance with ASTM 967-99.

Standard finish is T304/T304L stainless steel polished and buffed to a 320 grit finish. Other materials and finishes including T316 stainless steel and custom powder-coating is available by custom quotation.

If rails are not being installed directly into the concrete, anchor sockets are available to accommodate 1.90" and 1.50" rails. New 1.50" O.D. x 6" deep stainless steel anchors and escutcheons can be provided where specified.



AUTOMATION
FILTERS
VALVES
PUMPS
HEATERS & HEAT PUMPS
LIGHTING
CLEANERS
WATER FEATURES
CHEMICAL CONTROLLERS & SANITIZERS
WHITE GOODS
MAINTENANCE & SAFETY
LIFTS & DECK EQUIPMENT
SPA

# GRAB RAILS

Grab rails come in pairs. They are used to keep racing lanes free of obstructions when used in conjunction with built-in steps.



Product	Description
---------	-------------

### Stainless steel recessed step

32104	(15"W x 5"H x 5"D) sets flush in wall. Built-in step is grouted into a rough hole and has a sloped tread to promote drainage. Polished, corrosion-resistant, non-skid sand blasted bottom tread for added traction. Recommended for use in all climates.
-------	--

### Frost proof recessed step

32102	(15-1/2"W x 5"H x 5-1/2"D) is heavy duty, foamed plastic without projecting lip. Textured bottom tread for added traction. Built-in step is grouted into a rough hole. Specifically recommended for use in freezing climates. White.
-------	--

### Long reach pretzel

Similar to standard pretzel but recommended for installations with wide gutters. Legs are offset laterally to accommodate joints or obstructions in the pool deck.

30211	145" wall
30212	109" wall
30213	065" wall

Product	Description
---------	-------------

### Figure 4

Our most popular model. For flat deck without unusual curbs or coping.

30101	145" wall
30102	109" wall
30103	065" wall

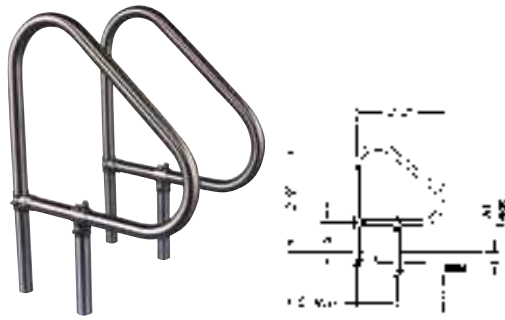
### Pretzel bend

Requires the least amount of deck width with the narrowest profile as the legs are offset laterally instead of front to back. Can usually be mounted on pool wall rather than the deck slab.

30201	145" wall
30202	109" wall
30203	065" wall



# GRAB RAILS (CONT'D)



## Product

## Description

### Adjustable figure 4

front leg is adjustable in field so it can be set atop curbs or into gutters. Choose this model when unusual conditions will not permit use of Figure 4 style.

30301	145" wall
-------	-----------

30302	109" wall
-------	-----------

30303	065" wall
-------	-----------

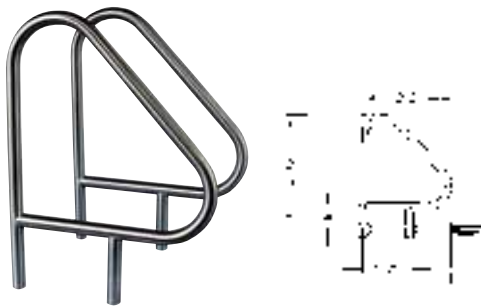
### Welded figure 4

If you furnish specific deck and gutter dimensions we can supply our Adjustable Grab Rail styling as a fixed, fully-welded unit.

30511	145" wall
-------	-----------

30512	109" wall
-------	-----------

30513	065" wall
-------	-----------



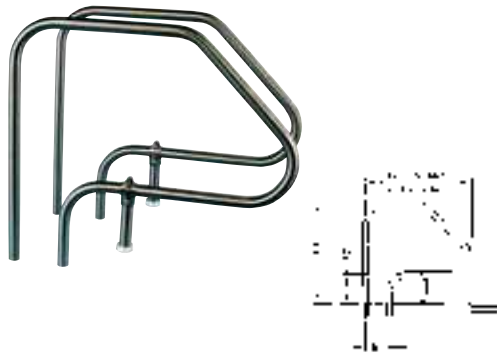
### Long reach adjustable

Available in sizes to fit extra-wide gutter systems in the increasingly popular "fast-pool" design concept. Specify "B" dimension.

30320	145" wall
-------	-----------

30321	109" wall
-------	-----------

30322	065" wall
-------	-----------



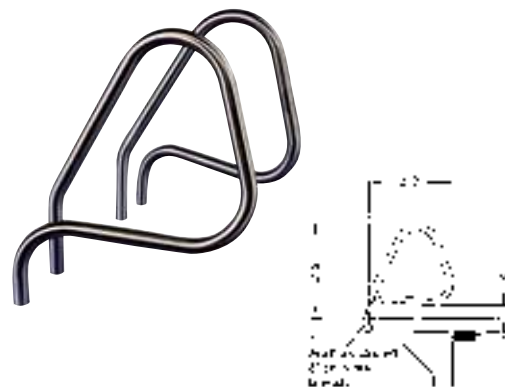
### California

Made extra-wide to clear wide gutters or when deck-to-water distance is exceptionally great. Legs offset laterally to minimize deck width requirements. Front end dips downward for a shorter reach for low water level pools.

30401	145" wall
-------	-----------

30402	109" wall
-------	-----------

30403	065" wall
-------	-----------

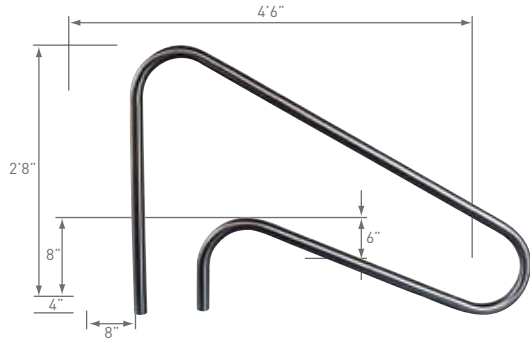


# DECK MOUNTED RAILS

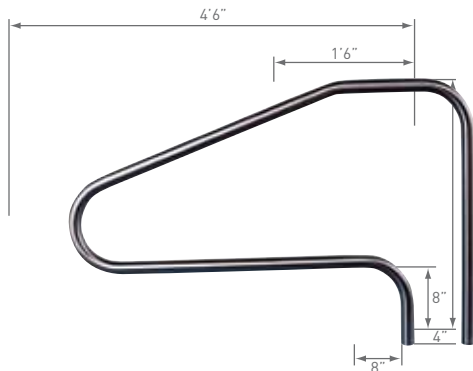
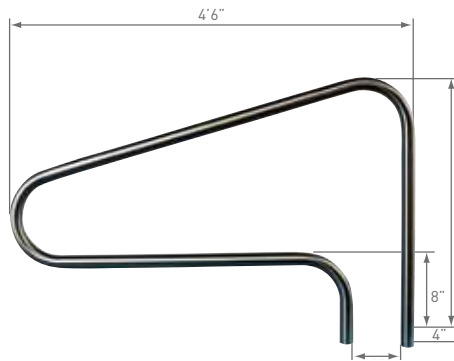
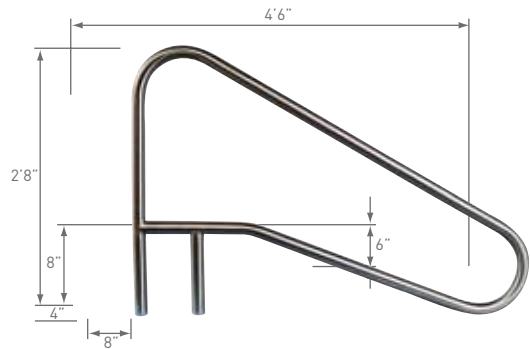
Deck Mounted Rails are intended for use with vinyl or fiberglass pools having premolded steps. Anchorage of the rails to the deck is 8" on center and provides the stability needed without penetrating the molded steps.

A variety of models are available to meet any pool or spa configuration.  
 1.90" O.D. x .065" wall thickness.  
 1.50" O.D. available upon request.

Heavier gauges available upon request.  
 All rails are 54" long and 32" high.

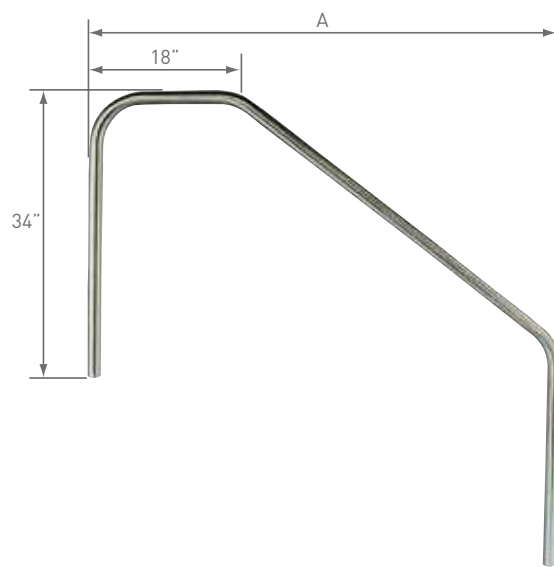
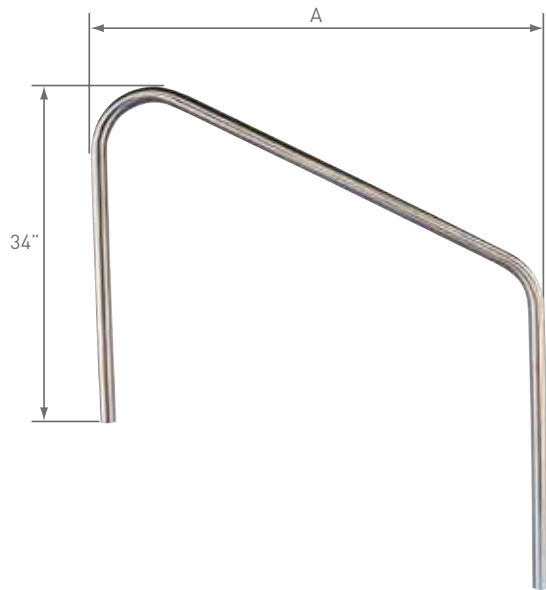


Product	Description
34301	Sloping rail
34307	Sloping welded rail
34303	Horizontal rail
34305	Horizontal flat top



# STAIR MOUNTED RAILS

Stair Rails should be used on all pool entry steps as a necessary safety feature to allow safe entry and exit from the pool.



Product	Description
<b>1.90" O.D. x .065" wall thickness</b>	
34101	2 bend 48" wide
34102	2 bend 60" wide
34103	2 bend 72" wide
<b>1.90" O.D. x .109" wall thickness</b>	
34104	2 bend 48" wide
34105	2 bend 60" wide
34106	2 bend 72" wide
<b>1.90" O.D. x .145" wall thickness</b>	
34107	2 bend 48" wide
34108	2 bend 60" wide
34109	2 bend 72" wide

Product	Description
<b>1.90" O.D. x .065" wall thickness</b>	
34201	3 bend 48" wide
34202	3 bend 60" wide
34203	3 bend 72" wide
<b>1.90" O.D. x .109" wall thickness</b>	
34204	3 bend 48" wide
34205	3 bend 60" wide
34206	3 bend 72" wide
<b>1.90" O.D. x .145" wall thickness</b>	
34207	3 bend 48" wide
34208	3 bend 60" wide
34209	3 bend 72" wide

# PARAGON™ DECK EQUIPMENT

## POOL ACCESSORIES



The **Track Start Plus+™** is a modular concept that adds optional enhancements to new and existing Track Start starting platforms. These features will be factory installed if ordered with new Track Start platforms. The same kits, complete with mounting hardware and installation instructions will be provided for an easy retrofit in the field for existing platforms.



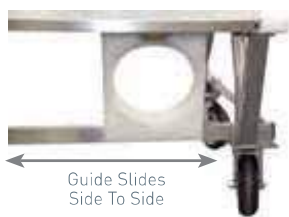
### Track Star Plus+™ STS Starting Platform features include:

- Modular concept enhancing swimmers performance with seamless upgrade to existing quickset/Paralyte or competitor style platforms
- Side-to-side adjustment for unimpeded rear access with or without a step
- Non-skid, white sand finish, UV inhibited polypropylene kick plate adjusts infinitely from side-to-side
- Color options available for frame and sand-finish kick plate. Call for more information.



### EZ Reel™ Lane Line Storage

- Designed and manufactured exclusively in collaboration with Reel Simple Systems.
- What makes this lead screw technology saves time by preventing tangles and clumping.
- Front traversing guide block keeps lane line properly aligned while reeling.
- Lightweight, rugged all stainless steel construction frame and fastening hardware
- 1" stainless steel, easy to grip captains' wheel at each end make reeling and transporting simple.
- Rugged 6" tall by 2" wide swivel casters with double lock, help guide easily over separations in deck or rough outdoor terrain.
- Rigid and lightweight UV resistant plastic panels with soft rubber edge protect sensitive lane line components from tangles and damage.



Guide Slides Side To Side

### Fast and Organized Every Time

A Traversing guide block and lead screw mechanism make reeling lane lines fast and organized every time. Fully integrated onto new or existing robust and well known Paragon lane reels, the traversing guide block automatically moves in each direction with the rotational movement of the reel keeping lane lines neat and orderly. preventing clumping and tangles.



### GRIFF'S VISION GUARD STATION™

- Minimum footprint; maximum impact
- Lighter; less costly; ships flat
- 3 heights available



### ALL TERRAIN GRIFF'S GUARD STATION®

- Most versatile guard chair ever
- Super portable - tip and roll with ease over any terrain
- Front and back guard access



### CUSTOM-MADE RAILINGS

We will fabricate railings to your specifications whenever custom fabricated, corrosion-resistant, stainless steel railings are required. Can be used for any pool application including entry, ADA compliant, stairs, deck guards and diving towers. Design and engineering support are readily available.

Our railings are manufactured and verified to meet your project's unique specifications. All rails are factory welded and are shipped ready for installation requiring no field cutting, drilling or modifications.

We manufacture most rail goods in 1.90" O.D. stainless steel tubing, and have extensive experience manufacturing custom rails in 1.50" O.D. as well. If rails are not being installed directly into the concrete, anchor sockets are available to accommodate 1.90" and 1.50" rails.



For our complete Paragon Deck Equipment products, contact Customer Service and request a Paragon Deck Catalog (part #PCA-103)









SPA

---



# JET SWIM



Jet Swim 2000



Jet Swim 1200

## FEATURED HIGHLIGHTS

- Bronze and acid proof stainless steel
- Two models with 900 or 1300 l/min
- Adjustable water flow
- Adjustable jet streams
- Adjustable setting of the air mixture
- Polished stainless steel front
- High-class motors

## JET SWIM 2000

An exclusive counter current unit with many different settings. With jet streams of 1300 l/min it is easy for you to build up your strength and physical fitness. Start your Jet Swim by pressing a button on the front. The flow pattern is set by means of the adjustable jets to suit your personal needs. The air flow that is mixed with the jet streams, is adjusted by turning the air knob on the front. It is just as simple to adjust the water flow.

## JET SWIM 1200

With a motor capacity of 2.2kW and jet stream of 900 l/min it is easy for you to train your swimming technique and build up your physical fitness. Start your Jet Swim by pressing a button on the front. The jet streams are varied in power by rotating the turnable front. Resistance can be changed in three different steps, two for the jet stream and one for the air mixture.

## SPECIFICATIONS

JET SWIM 2000	
Part Number	Description
PJET001	Jet Swim Unit 2000
PJET002	Assembly Concrete Kit
PJET003	Control Box for Counter Current
PJET004	Jet Swim Unit 2000 Pump 4kW

JET SWIM 1200	
Part Number	Description
PJET011	Jet Swim Unit 1200
PJET022	Assembly Concrete Kit
PJET033	Control Box for Counter Current
PJET044	Jet Swim Unit 1200 Pump 2.2kW

# AIR CONTROLS

## 32MM AIR CONTROLS



67 mm Top Draw with Handle Cap.

Part Number	Description
10-2100ME WHT	White handle. 32 mm ID x 5/4" OD.
10-2100ME GRY	Grey handle. 32 mm ID x 5/4" OD.
10-2100WHT	White handle. 1" ID x 5/4" OD.



63 mm Under Skirt with Scalloped Cap and Window. Incl. check valve ball.

Part Number	Description
10-2310 ME WHT	White cap. 32 mm ID x 5/4" OD.
10-2310ME GRY	Grey cap. 32 mm ID x 5/4" OD.



63 mm Under Skirt with Teardrop Cap. Incl. check valve ball.

Part Number	Description
10-2330ME WHT	White cap. 32 mm ID x 5/4" OD.
10-2330ME GRY	Grey cap. 32 mm ID x 5/4" OD.
10-2310MEF P GRY	Grey 5-scalloped cap. 1" ID x 5/4" OD.

## PNEUMATIC CONTROL



Replacement Air Switch

For pneumatic pumps, blowers, etc.

Part Number	Description
41-0255	Switch

AUTOMATION

FILTERS

VALVES

PUMPS

HEATERS &  
HEAT PUMPS

LIGHTING

CLEANERS

WATER  
FEATURES

CHEMICAL  
CONTROLLERS  
& SANITIZERS

WHITE  
GOODS

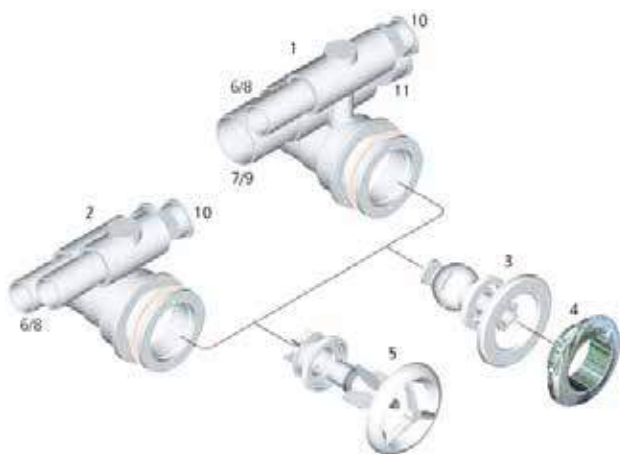
MAINTENANCE  
& SAFETY

LIFTS & DECK  
EQUIPMENT

SPA

# WATER JETS MEDIUM

ORIGINAL FREEDOM JET

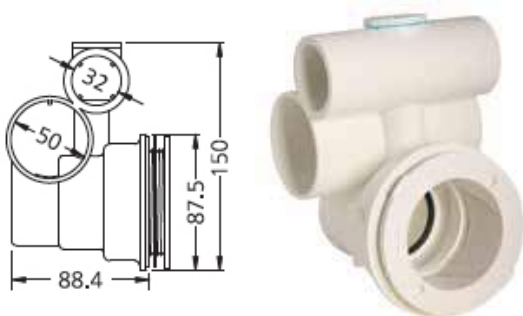


## FEATURED HIGHLIGHTS

- Different colours available
- Directional and rotating options
- Easy installation
- Elegant design
- Exclusive chrome finish
- Flow adjustable
- Front diameter Ø90 mm
- Stainless steel

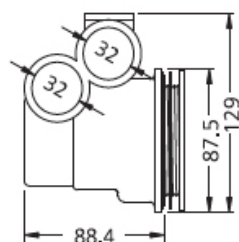
### Recommended for use in whirlpools and spas

The Original Freedom jet is popular for the unique look and high flow. A specific whirlpool jet which provide good drainability through the fronts.



### FREEDOM JET BODY FOR SPA

10-FS715T



### FREEDOM JET BODY FOR SPA

10-FSB11T

## SPECIFICATIONS

Part Number	Measurements	Material	Hole size	Recommended flow rate
10-FS715T	50 mm ID water x 32 mm ID air	White PVC/ABS	2 5/8" app. 67 mm	2.7 m <sup>3</sup> /h@ 7m H <sub>2</sub> O
10-FSB11T	32 mm ID water x 32 mm ID air	White PVC/ABS	2 5/8" app. 67 mm	2.7 m <sup>3</sup> /h@ 7m H <sub>2</sub> O

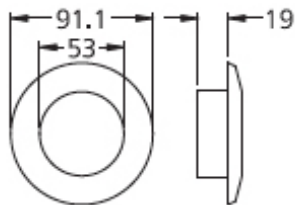
# WATER JETS MEDIUM

ORIGINAL FREEDOM JET (CONT.)



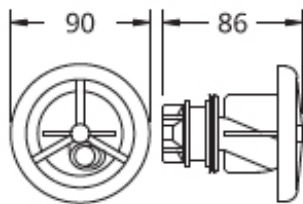
## FREEDOM ADJUSTABLE KIT

10-FS00TA / 20-FS00TA-11



## FREEDOM METAL ESCUTCHEON

16-FS00TM



## FREEDOM MICRO'SSAGE KIT

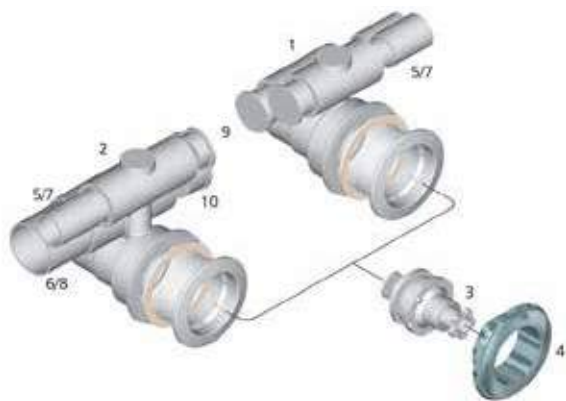
16-FS00TM / 26-FS00TM-11

## SPECIFICATIONS

Part Number	Measurements	Material	Note
10-FS00TA	Ø89.7 mm	White ABS	To be used with jet 10-FSB11T or 10-FS715T
20-FS00TA-11	Ø89.7 mm	Chrome-plated ABS	To be used with jet 10-FSB11T or 10-FS715T
10-5845-5	Ø91.1 mm	Stainless steel	To be used with trim kit 10-FS00TA-x and 10-FS35A
16-FS00TM	Ø90 mm	White ABS	To be used with jet 10-FSB11T or 10-FS715T
26-FS00TM-11	Ø90 mm	Chrome-plated ABS	To be used with jet 10-FSB11T or 10-FS715T

# WATER JETS MEDIUM

## CAGED FREEDOM JET

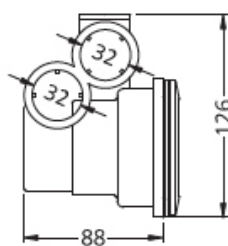


### FEATURED HIGHLIGHTS

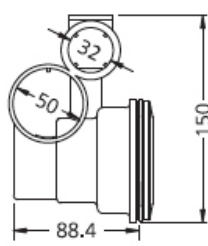
- Different colours available
- Easy installation
- Elegant design
- Flow adjustable
- Front diameter Ø85 or Ø90 mm
- Stainless steel

### Recommended for use in whirlpools and spas

The Freedom jet is popular for the unique look and high flow. The Caged Freedom jet is just like the Original Freedom jet a specific whirlpool jet which provide good drainability through the fronts. The difference is the caged front design.



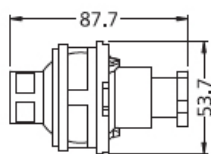
**FREEDOM JET BODY FOR WHIRLPOOL**  
10-FS711



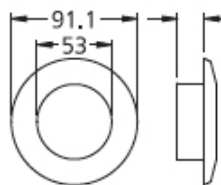
**FREEDOM JET BODY FOR SPA**  
10-FS715



Part Number	Measurements	Material	Hole size	Recommended flow rate
10-FS711	Ø85 mm front, 32 mm ID water x 32 mm ID air	White PVC/ABS	2 5/8" app. 67mm	2.7 m <sup>3</sup> /h@ 7m H <sub>2</sub> O
10-FS715	Ø85 mm front, 50 mm ID water x 32 mm ID air	White PVC/ABS	2 5/8" app. 67mm	3 m <sup>3</sup> /h@ 7 m H <sub>2</sub> O



**FREEDOM METAL ESCUTCHEON**  
10-FS35A



**FREEDOM METAL ESCUTCHEON**  
10-5845-5

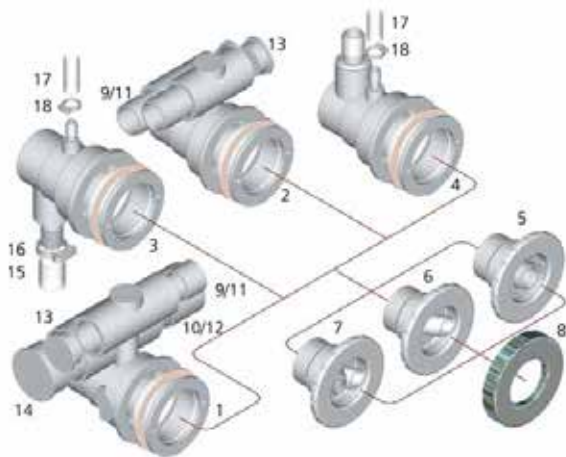


Part Number	Measurements	Material	Note
10-FS35A	Ø53.7 mm	White ABS	To be used with jet 10-FS711 or 10-FS715
10-5845-5	Ø91.1 mm	Stainless steel	To be used with trim kit 10-FS00TA-x and
10-FS35A	Ø53.7 mm	White ABS	To be used with jet 10-FS711 or 10-FS715



# WATER JETS MEDIUM

## MAGNA™ JET

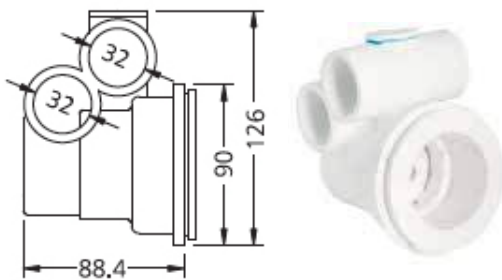


### FEATURED HIGHLIGHTS

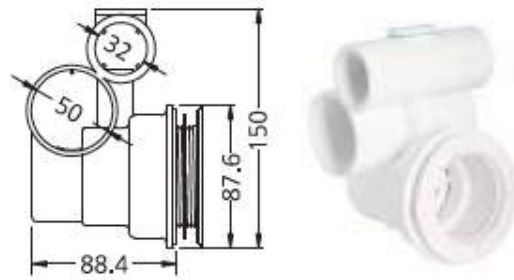
- Different colours available
- Directional and rotating options
- Easy installation
- Elegant design
- Exclusive chrome finish
- Flow adjustable
- Front diameter Ø91 - Ø95 mm
- Multiple front designs
- Stainless steel

### Recommended for use in spas

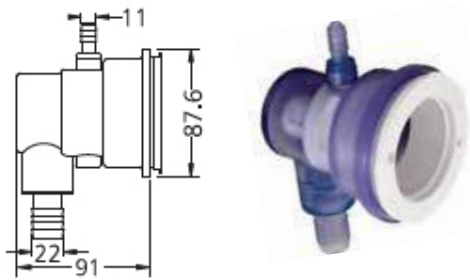
The Magna jet product family is designed for spa applications.



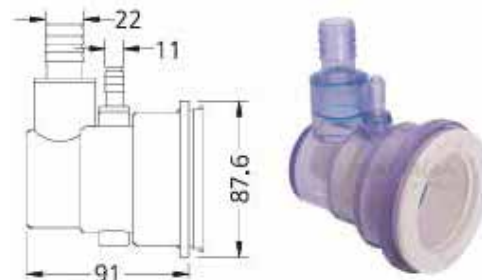
**MAGNA™ JET BODY**  
10-4831



**MAGNA™ JET BODY**  
10-4833



**MAGNA™ JET BODY**  
10-4885



**MAGNA™ JET BODY**  
10-4886

Product	Measurements	Material	Hole size	Recommended flow rate
10-4831	32 mm ID water x 32 mm ID air PVC	White ABS/	2 5/8" app.	67 mm 2.7 m <sup>3</sup> /h@ 7m H <sub>2</sub> O
10-4833	50 mm ID water x 32 mm ID air PVC	White ABS/	2 5/8" app.	67 mm 2.7 m <sup>3</sup> /h@ 7m H <sub>2</sub> O
10-4885	22 mm OD water barb (down) x 11 mm OD air barb (up)	Clear blue PVC/White ABS	2 5/8" app.	67 mm 2.7 m <sup>3</sup> /h@ 7m H <sub>2</sub> O
10-4886	22 mm OD water barb (up) x 11 mm OD air barb (up)	Clear blue PVC/White ABS	2 5/8" app.	67 mm 2.7 m <sup>3</sup> /h@ 7m H <sub>2</sub> O



# OTHER

---



# LEGEND

- AUTOMATION
- FILTERS
- VALVES
- PUMPS
- HEATERS & HEAT PUMPS
- LIGHTING
- CLEANERS
- WATER FEATURES
- CHEMICAL CONTROLLERS & SANITIZERS
- WHITE GOODS
- MAINTENANCE & SAFETY
- LIFTS & DECK EQUIPMENT
- SPA



**Eco Select™ :**  
Eco Select™ branded product



**PENTAIR :**  
Pentair® Branded Product

**KREEPY KRAULY®**

**Kreepy Krauly® :**  
Kreepy Krauly® branded products



**STA-RITE :**  
Sta-Rite™ branded product



**Clear Pro :**  
Products with ClearPro Technology®



**Seawater logo or Salt water :**  
Indicates the salt resistance

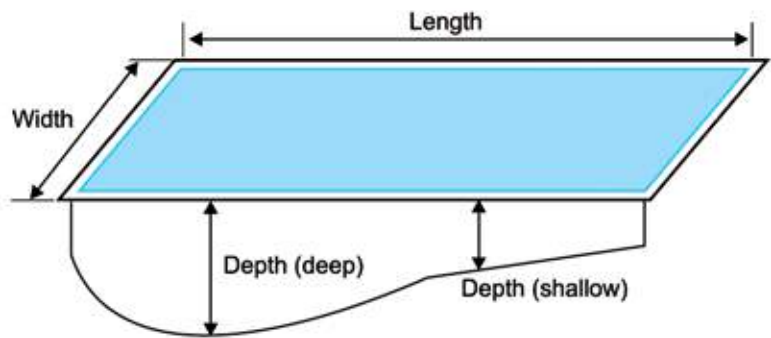
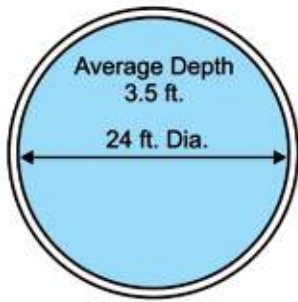


**Free access :**  
Free software acces



**IE2 or IE3 :**  
Meets the IE2 or IE3 regulations

# ESTIMATING TOTAL GALLONS IN A POOL



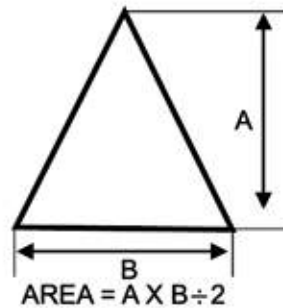
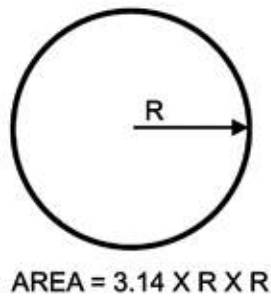
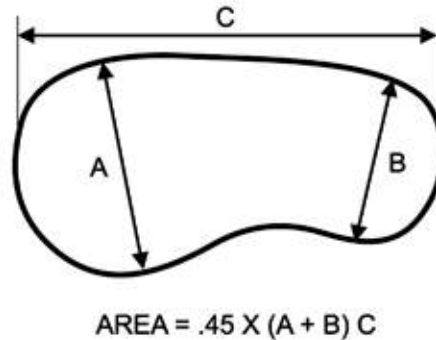
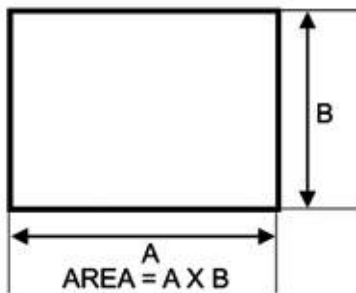
Radius<sup>2</sup> x 3.14 x A.D. x 7.5 = Gallons  
 $12 \times 12 \times 3.14 \times 3.5 \times 7.5 = 11,869$  Gals.  
 Dia. x Dia. x Av Dp x 5.9 = Gallons  
 $24 \times 24 \times 3.5 \times 5.9 = 11,894$  Gals.

Formula A: Length X Width X Average Depth X Gal.cu.ft. = Gallons

Example: Pool Length = 40 ft.  
 Pool Width = 20 ft.  
 Shallow Depth = 3 ft.  
 Deep Depth = +8 ft.  
 Total Depth = 11 ft.

Using formula A:  $40 \times 20 = 800$  sq. ft.,  $800 \times 5.5 = 4,400$  cubic ft.,  $4,400 \times 7.5 = 33,000$  gallons

Gal.cu.ft.	
Rectangle:	7.5
Oval:	6.7
Kidney:	7.0



The area in square feet for pools and spas can be determined by using one or more of the above formulas.

# UNITS OF MEASURE

## UNITS OF LENGTH

UNIT	INCH	FOOT	YARD	METER
INCH	1.0	.0833	.0278	.0254
FOOT	12.0	1.0	.333	.305
YARD	36.0	3.0	1.0	.9144
METER	39.37	3.281	1.094	1.0

## UNITS OF AREA

UNIT	SQUARE INCH	SQUARE FOOT	SQUARE YARD	SQUARE METER
SQUARE INCH	1.0	.00694	.000772	.000645
SQUARE FOOT	144.0	1.0	.1111	.0929
SQUARE YARD	1,296.0	9.0	1.0	.836
SQUARE METER	1,550.0	10.76	1.196	1.0

## UNITS OF VOLUME

UNIT	U.S. GALLON	IMPERIAL GALLON	CUBIC FEET	POUNDS OF WATER	CUBIC METERS
U.S. GALLON	1.0	.833	.1337	8.33	.003785
IMPERIAL GALLON	1.2	1.0	.1605	10.0	.004546
CUBIC FEET	7.481	6.232	1.0	62.37	.0283
POUNDS OF WATER	.12	.09996	.0160	1.0	.00045
CUBIC METERS	264.2	220.0	35.31	2,204.0	1.0

## UNITS OF FLOW

UNIT	U.S. G.P.M.	IMPERIAL G.P.M.	CUBIC FEET/SECOND	CUBIC FEET/HOUR	LITERS/SECOND
U.S. G.P.M.	1.0	.833	.00223	8.02	.0631
IMPERIAL G.P.M.	1.2	1.0	.00268	9.63	.0757
CUBIC FT. PER SECOND	448.8	374.0	1.0	3.600	28.32
CUBIC FT. PER HOUR	.1247	.104	.00028	1.0	.0078
LITERS PER SECOND	15.85	13.21	.0353	127.13	1.0

## UNITS OF PRESSURE

UNIT	INCHES OF WATER	FEET OF WATER	POUNDS PER SQUARE INCH	INCHES OF MERCURY
INCHES OF WATER	1.0	.0833	.0361	.0736
FEET OF WATER	12.0	1.0	.433	.883
POUNDS PER SQUARE INCH	27.72	2.31	1.0	2.04
INCHES OF MERCURY	13.596	1.133	.4906	1.0

## PRESSURE AND EQUIVALENT FEET HEAD OF WATER

Lbs. per Sq. In.	Feet Head	Lbs. per Sq. In.	Feet Head	Lbs. per Sq. In.	Feet Head	Lbs. per Sq. In.	Feet Head
1	2.31	20	46.18	120	276.42	225	519.23
2	4.62	25	57.72	125	288.46	250	576.92
3	6.93	30	69.27	130	300.00	275	634.62
4	9.24	40	92.36	140	323.08	300	692.31
5	11.54	50	115.38	150	346.15	325	750.00
6	13.85	60	138.46	160	369.23	350	807.69
7	16.16	70	161.53	170	392.31	375	865.38
8	18.47	80	184.62	180	415.38	400	923.08
9	20.78	90	207.69	190	438.46	500	1153.85
10	23.09	100	230.77	200	461.54	1000	2307.69
15	34.63	110	253.85				

# UNITS OF MEASURE

## EQUIVALENT VALUES OF PRESSURE

1 in. of Mercury (hg) = 1.13 ft. of water

Inches of Mercury	Feet of Water	Pounds per Sq. In.	Inches of Mercury	Feet of Water	Pounds per Sq. In.	Inches of Mercury	Feet of Water	Pounds per Sq. In.
1	1.13	0.49	11	12.45	5.39	21	23.78	10.3
2	2.26	0.98	12	13.57	5.87	22	24.88	10.8
3	3.39	1.47	13	14.70	6.37	23	26.00	11.28
4	4.52	1.95	14	15.82	6.86	24	27.15	11.75
5	5.65	2.44	15	16.96	7.35	25	28.26	12.25
6	6.78	2.93	16	18.09	7.84	26	29.40	12.73
7	7.91	3.42	17	19.22	8.33	27	30.52	13.23
8	9.04	3.91	18	20.35	8.82	28	31.65	13.73
9	10.17	4.40	19	26.47	9.31	29	32.80	14.22
10	11.30	4.89	20	22.60	9.80	29.929	33.947	14.6969

### WEIGHT

1 U.S. GALLON OF WATER = 8.33 LBS.

1 CUBIC FOOT OF WATER = 62.35 LBS.

1 KILOGRAM (LITRE) = 2.2 LBS.

1 IMPERIAL GALLON = 10.0 LBS.

### CURRENT CAPACITY (AMPS) OF WIRE<sup>1</sup>

Three wires in cable, ambient temp. 86°F

WIRE SIZE	AMPERES	
	COPPER	ALUMINIUM
14	20	-
12	25	20
10	30	25
8	40	30
6	55	40
4	70	55
3	85	65
2	95	75
1	110	85
0	125	100

<sup>1</sup>Wire size is minimum for amperes listed.

### EFFICIENCY

EFFICIENCY

$\frac{\text{POWER OUTPUT}}{\text{POWER INPUT}}$

MOTOR EFFICIENCY

$\frac{\text{HP OUTPUT}}{\text{K.W. INPUT}}$

PUMP EFFICIENCY

$\frac{\text{G.P.M.} \times \text{TOTAL HEAD (F.T.)}}{3960 \times \text{BHP}}$

OVERALL PLANT EFFICIENCY (OPE)

$\frac{\text{G.P.M.} \times \text{TOTAL HEAD (F.T.)}}{5310 \times \text{K.W. INPUT}}$

Amperage =  $\frac{\text{Watts}}{\text{Volts}}$

Watts = Volts x Amperage

Water Horsepower  
 WHP =  $\frac{(\text{output HP of pump}) \times \text{total head}}{3960}$

HP input (to motor)  
 = KW input x 1.341

Total Head = Discharge head + Pumping water level (ft)

Discharge Head = Discharge Pressure (PSI) x 2.31 ft. of head

# CONVERSION REFERENCE CHART

Feet of Water per minute	Cubic Meters/hrs	British Gallon per minute
10	2.27	8.33
20	4.54	16.65
30	6.81	24.98
40	9.09	33.31
50	11.36	41.64
60	13.63	49.96
70	15.90	58.29
80	18.17	66.62
90	20.44	74.94
100	22.71	83.27
110	24.98	91.60
120	27.26	99.92
130	29.53	108.25
140	31.80	116.58
150	34.07	124.91
160	36.34	133.23
170	38.61	141.56
180	40.88	149.89
190	43.15	158.21
200	45.43	166.54
210	47.70	174.87
220	49.97	183.19
230	52.24	191.52
240	54.51	199.85
250	56.78	208.18
260	59.05	216.50
270	61.32	224.83
280	63.60	233.16
290	65.87	241.48
300	68.14	249.81
310	70.41	258.14
320	72.68	266.46
330	74.95	274.79
340	77.22	283.12
350	79.49	291.45
360	81.77	299.77
370	84.04	308.10
380	86.31	316.43
390	88.58	324.75
400	90.85	333.08

Feet of Water	Meters of Water	PSI
10	3.05	4.34
20	6.10	8.67
30	9.15	13.01
40	12.20	17.34
50	15.24	21.68
60	18.29	26.01
70	21.34	30.35
80	24.39	34.68
90	27.44	39.02
100	30.49	43.35
110	33.54	47.69
120	36.59	52.02
130	39.63	56.36
140	42.68	60.69
150	45.73	65.03



# HEATER SIZING INFORMATION

Pool heaters can be sized by the volume method for maintenance heating or for spot heating. For many days during the swimming season, the sun maintains a desirable pool temperature of 78-80°F. and the pool requires no supplemental heating. However, during cooler periods a pool will usually lose 2-4°F. per day.

To get the water to the desired temperature, you could choose a smaller heater and run it during the daily filter cycle of 4-6 hours every day. This would be sufficient to overcome a slight temperature drop between filter cycles, but it would mean leaving the heater on every day. If you don't use the pool daily, it's more economical to spot heat the pool, say for the weekend. In this case, you could choose a larger heater which will heat the pool faster, and then can be turned off between uses. With either, maintenance heating or spot heating, you need to determine the size of heater to select and the time it will require to heat the pool.

MASTERTEMP REQUIRED  
TO HEAT POOL IN 24 HOURS

## Spa Sizing\*

Model	Spa Volume (Gallons)								
	200	300	400	500	600	700	800	900	1,000
Minutes for 30°F Temperature Rise (Heater Input in 1000 BTU/HR)									
175	21.0	31.0	40.0	50.0	61.0	71.0	81.0	91.0	102.0
200	18.0	27.0	35.0	44.0	53.0	62.0	71.0	80.0	89.0
250/250HD	15.8	23.5	30.8	38.5	46.5	54.3	62.0	70.0	77.8
300	13.5	20.0	26.5	33.0	40.0	46.5	53.0	60.0	66.5
400/400HD	9.0	13.0	18.0	22.0	27.0	31.0	35.0	40.0	44.0

Note: The chart is based on a 30°F (16.6°C) temperature rise, discounting losses and only based on heat required to raise temperature in minutes. Two-year limited warranty. See warranty for details.

\*ASME models available. See your Pentair representative for details.

MASTERTEMP REQUIRED  
TO HEAT THE SPA 30°F IN A GIVEN TIME PERIOD

## Spa Sizing<sup>1</sup>

Model	Spa Volume (Gallons)								
	200	300	400	500	600	700	800	900	1,000
Minutes for 30°F Temperature Rise (Heater Input in 1000 BTU/HR)									
175	21.0	31.0	40.0	50.0	61.0	71.0	81.0	91.0	102.0
200	18.0	27.0	35.0	44.0	53.0	62.0	71.0	80.0	89.0
250/250HD	15.8	23.5	30.8	38.5	46.5	54.3	62.0	70.0	77.8
300	13.5	20.0	26.5	33.0	40.0	46.5	53.0	60.0	66.5
400/400HD	9.0	13.0	18.0	22.0	27.0	31.0	35.0	40.0	44.0

Note: The chart is based on a 30°F (16.6°C) temperature rise, discounting losses and only based on heat required to raise temperature in minutes. Two-year limited warranty. See warranty for details.

\*ASME models available. See your Pentair representative for details.

<sup>1</sup> For Commercial Heaters 500,000 BTU/hr and over please contact factory for sizing.

$$\text{TIME IN HOURS} = \frac{\text{Vol. in Gal.} \times 8.34 \text{ lb./gal.} \times \text{temprise}}{\text{Heater BTUH input} \times \text{efficiency of heater}}$$

$$\text{POOL \& SPA TIME IN MINUTES} = \frac{\text{Vol. in Gal.} \times 8.34 \text{ lb./gal.} \times \text{temprise} \times 60}{\text{Heater BTUH input} \times \text{efficiency of heater}}$$

# HEATER GAS SUPPLY AND PIPE SIZING INFORMATION

When installing any Pentair or Sta-Rite pool or spa heater, it is very important to have the proper amount of gas supplied to all Pentair or Sta-Rite Heaters for pools. Below, for your information, is a table which will assist you in selecting the correct size of piping for the installation.

When installing any gas appliance, it is very important to have the proper size gas meter and home pressure regulator installed. Once you have selected the correct size heater for the pool or spa, contact the local utility which supplies the gas and request a field review of the installation and have them install the proper size meter and proper size pressure regulator.

## LOW PRESSURE, SINGLE STAGE PIPE SIZING FOR GAS LINE CONNECTIONS

Natural gas at 1000 BTU per Cubic Foot

Propane Gas at 2500 BTU per Cubic Foot

MODEL	1/2 in.		3/4 in.		1 in.		1-1/4 in.		1-1/2 in.		2 in.		2-1/2 in.	
	NAT	PRO	NAT	PRO	NAT	PRO	NAT	PRO	NAT	PRO	NAT	PRO	NAT	PRO
100 & 75	20 ft.	50 ft.	50 ft.	150 ft.	150 ft.	600 ft.	-	-	-	-	-	-	-	-
150	10 ft.	40 ft.	50 ft.	150 ft.	150 ft.	600 ft.	-	-	-	-	-	-	-	-
200	-	20 ft.	30 ft.	80 ft.	125 ft.	250 ft.	450 ft.	600 ft.	-	-	-	-	-	-
250	-	10 ft.	20 ft.	50 ft.	70 ft.	150 ft.	250 ft.	500 ft.	600 ft.	-	-	-	-	-
300	-	-	10 ft.	30 ft.	50 ft.	100 ft.	200 ft.	350 ft.	400 ft.	600 ft.	-	-	-	-
350	-	-	10 ft.	20 ft.	30 ft.	70 ft.	125 ft.	250 ft.	250 ft.	500 ft.	500 ft.	-	-	-
400	-	-	-	10 ft.	20 ft.	60 ft.	100 ft.	150 ft.	200 ft.	450 ft.	400 ft.	-	-	-
525	-	-	-	5 ft.	15 ft.	35 ft.	65 ft.	150 ft.	130 ft.	360 ft.	390 ft.	700 ft.	-	-
750	-	-	-	-	-	20 ft.	35 ft.	80 ft.	75 ft.	180 ft.	260 ft.	600 ft.	-	-
900	-	-	-	-	-	15 ft.	20 ft.	45 ft.	45 ft.	100 ft.	150 ft.	360 ft.	400 ft.	-

Gas Pressure	Model	Natural Inches W. C.	Propane Inches W. C.
Gas Pressure Requirements Pentair Water Heaters			
Maximum Inlet	CH	10	14
	STD	10	14
	TSI	10	N/A
	LN	10	N/A
Minimum Inlet	CH	6	12
	STD	6	12
	TSI	4	N/A
	LN	6	N/A
Manifold	CH	4	11
	STD	4	11
	TSI	2	N/A
	LN	4	N/A

Gas Pressure	Natural Inches W. C.	Propane Inches W. C.
Gas Pressure Requirements for MiniMax 100 Pentair Water Heaters		
Normal Altitudes (0-2500 ft. above Sea Level)		
Maximum Inlet	10	14
Minimum Inlet	5	12
Normal Manifold	4	11
High Altitudes (2500-7000 ft. above Sea Level)		
Maximum Inlet	10	14
Minimum Inlet	5	12
Normal Manifold	3	7

Note: All readings must be taken while heater is operating. Any adjustments or readings made while heater is off will give incorrect readings and should not be used for evaluation of heater operation. All Values are +/- 0.2 inch W. C.

Gas Pressure	Model	Natural Inches W. C.	Propane Inches W. C.
Gas Pressure Requirements for MasterTemp and Max-E-Therm Pentair Water Heaters			
Maximum Inlet	MT	14	14
Minimum Inlet	MT	4	4
Manifold	MT	-0.2 ± 0.1	-0.2 ± 0.1

# HEATER GAS SUPPLY AND PIPE SIZING INFORMATION

## "RESIDENTIAL" PROPANE GAS 2 STAGE REGULATION

In many Propane gas line installations, the gas supplier and or installer will utilize a two stage regulation process whereby, at the supply tank, they will install the first stage gas regulator, which would be at a higher pressure, usually 10 psi. This higher pressure allows for much longer distance and in a much smaller pipe size. Then, within a short distance from the pool heater, generally around 24 inches, a second regulator, which is the second stage, would be installed and set at the required inlet pressure of the heater.

SEE "GAS PRESSURE REQUIREMENT CHART."

Stage One "High Pressure" Gas Pipe Sizing				Stage Two "Low Pressure" Gas Pipe Sizing		
<b>10 PSI @ 2500 BTU Per CU. FT.</b>				<b>Stage 2 set at 14 in. W.C.</b>		
MAXIMUM EQUIVALENT PIPE LENGTH				MAXIMUM EQUIVALENT PIPE LENGTH		
Model	0 to 50 Feet	50 to 100 Feet	100 to 150 Feet	Model	0 to 10 Feet	10 to 20 Feet
75 through 400	1/2 in.	1/2 in.	1/2 in.	75 through 400	3/4 in.	3/4 in.

## "RESIDENTIAL" NATURAL GAS 2 STAGE REGULATION

In many Natural gas line installations, the gas supplier and or installer will utilize a two stage regulation process whereby, at the street's main gas supply, they will install the first stage gas regulator, which would be at a higher pressure. This higher pressure is usually set at 2 psi or 5 psi and can be run for long distances and in a much smaller pipe size. Then, within a short distance from the pool heater, generally around 24 inches, they will install a second regulator, which is the second stage. This second stage regulator would be set at the minimum operating pressure for the heater. For "Natural Gas Pentair Pool Heaters" the minimum is 7 inches W.C.

Stage One "High Pressure" Gas Pipe Sizing				Stage Two "Low Pressure" Gas Pipe Sizing		
<b>2 PSI @ 1000 BTU Per CU. FT.</b>				<b>Stage 2 set at 7 in. W.C.</b>		
MAXIMUM EQUIVALENT PIPE LENGTH				MAXIMUM EQUIVALENT PIPE LENGTH		
Model	0 to 20 Feet	20 to 90 Feet	90 to 200 Feet	Model	0 to 5 Feet	0 to 15 Feet
75 through 400	3/4 in.	1 in.	1-1/4 in.	75 through 300	3/4 in.	1 in.
				350 & 400	1 in.	1 in.

Stage One "High Pressure" Gas Pipe Sizing				Stage Two "Low Pressure" Gas Pipe Sizing		
<b>5 PSI @ 1000 BTU Per CU. FT.</b>				<b>Stage 2 set at 7 in. W.C.</b>		
MAXIMUM EQUIVALENT PIPE LENGTH				MAXIMUM EQUIVALENT PIPE LENGTH		
Model	0 to 50 Feet	50 to 100 Feet	100 to 200 Feet	Model	0 to 5 Feet	0 to 15 Feet
75 through 400	3/4 in.	3/4 in.	3/4 in.	75 through 300	3/4 in.	1 in.
				350 & 400	1 in.	1 in.

# BLOWER SIZING

- AUTOMATION
- FILTERS
- VALVES
- PUMPS
- HEATERS & HEAT PUMPS
- LIGHTING
- CLEANERS
- WATER FEATURES
- CHEMICAL CONTROLLERS & SANITIZERS
- WHITE GOODS
- MAINTENANCE & SAFETY
- LIFTS & DECK EQUIPMENT
- SPA

## HORSEPOWER

To Get This	Divide This	By This
Horsepower	Kwatts	0.746
Horsepower	Watts	746
Horsepower	Torque(ft. lbs.)X RPM	33000
Horsepower	Torque(ft. lbs.)X RPS	550
Horsepower required to pump water at a given rate to a given Height, assuming 100% eff. AKA Water Horsepower	GPM x TDH(ft.)	3960
	GPH X TDH (psi)	103000
Brake HP	Water HP	Pump eff.

## AIR BLOWER SIZING GUIDE

BLOWER MOTOR SIZE	VOLTS	AMPS	MAXIMUM INCHES OF WATER DEPTH	JETS ONLY RECOMMENDED NUMBER OF JETS
1 HP	120V	6.6	35 in.	5-10
1-1/2 HP	120V	7.4	45 in.	9-15
2 HP	120V	9.3	55 in.	12-17
1 HP	240V	3.9	30 in.	4-9
1-1/2 HP	240V	4.3	40 in.	8-13
2 HP	240V	5.0	50 in.	12-17

## BLOWER SIZING FORMULA

Measure total depth of water in spa (not total spa depth)

Add - 1 in. water for each 10 ft. of 2 in. air pipe

Add 1/2 in. water for each 90 deg. 2 in. elbow

Compare your total with maximum inches of water column and select that size or the next size higher blower than your total, in your selected voltage.

The number of holes in the air channel (both floor and seat) should be approximately 1.6 sq. in. total plus or minus .5

1/8 in. hole = .0123 sq. in.

3/16 in. hole = .0276 sq. in.

5/32 in. hole = .0192 sq. in.

1/4 in. hole = .0491 sq. in.

# FRICITION FLOW

## FRICITION/FLOW CHART FOR SCHEDULE 40 RIGID PVC PIPE<sup>1</sup>

U.S. Gal. per min.	3/4 in. pipe		1 in. pipe		1-1/4 in. pipe		1-1/2 in. pipe		2 in. pipe		2-1/2 in. pipe		3 in. pipe		4 in. pipe		5 in. pipe		6 in. pipe		U.S. Gal. per min.	
	Velocity feet per second	Loss in feet	Velocity feet per second	Loss in feet	Velocity feet per second	Loss in feet	Velocity feet per second	Loss in feet	Velocity feet per second	Loss in feet	Velocity feet per second	Loss in feet	Velocity feet per second	Loss in feet	Velocity feet per second	Loss in feet	Velocity feet per second	Loss in feet	Velocity feet per second	Loss in feet		
1	.71	.40	.40	.10	0.26	0.03															1	
2	1.43	1.44	.80	.35	.51	.12	.36	.05														2
3	2.14	3.05	1.20	.75	.77	.25	.53	.10														3
4	2.85	5.19	1.60	1.28	1.03	.43	.71	.18														4
5	3.56	7.85	2.00	1.94	1.28	.85	.89	.27	.50	.07	.32	.02	.22	.01								5
6	4.28	11.01	2.41	2.71	1.54	.92	1.07	.38	.60	.09	.38	.03	.27	.01								6
8	5.70	18.75	3.21	4.62	2.05	1.56	1.43	.64	.80	.16	.51	.05	.36	.02								8
10	7.13	28.34	4.01	6.99	2.57	2.36	1.78	.97	1.00	.24	.64	.08	.45	.03								10
15	10.69	60.06	6.01	14.81	3.85	5.00	2.67	2.06	1.50	.51	.96	.17	.67	.07								15
20			8.02	25.24	5.13	8.52	3.56	3.51	2.00	.87	1.28	.29	.89	.12	.50	.03						20
25			10.02	38.16	6.41	12.88	4.45	5.31	2.51	1.31	1.60	.44	1.11	.18	.63	.04						25
30			12.03	53.48	7.70	18.06	5.34	7.44	3.01	1.83	1.92	.62	1.34	.26	.75	.06	.48	.02				30
35					8.98	24.03	6.24	9.89	3.51	2.44	2.24	.82	1.56	.34	.88	.08	.56	.03				35
40					10.26	30.77	7.13	12.67	4.01	3.13	2.57	1.06	1.78	.43	1.00	.11	.84	.04				40
45					11.54	38.27	8.02	15.76	4.51	3.89	2.89	1.31	2.00	.54	1.13	.13	.72	.05				45
50					12.83	46.51	8.91	19.16	5.01	4.72	3.21	1.60	2.23	.66	1.25	.16	.80	.05	.56	.02		50
60							10.69	26.85	6.01	6.62	3.85	2.24	2.67	.92	1.50	.23	.96	.08	.67	.03		60
70									7.01	8.81	4.49	2.98	3.12	1.23	1.75	.30	1.12	.10	.78	.04		70
80									8.02	11.28	5.13	3.81	3.56	1.57	2.00	.39	1.28	.13	.89	.05		80
90									9.02	14.03	5.77	4.74	4.01	1.95	2.25	.48	1.44	.16	1.00	.07		90
100									10.02	17.06	6.41	5.76	4.45	2.37	2.51	.59	1.60	.20	1.11	0.08		100
125											8.02	8.71	5.57	3.59	3.13	.88	2.00	.30	1.39	.12		125
150											9.62	12.20	6.68	5.03	3.76	1.24	2.41	.42	1.67	.17		150
175													7.79	6.69	4.38	1.65	2.81	.56	1.95	.23		175
200													8.91	8.56	5.01	2.11	3.21	.71	2.23	.29		200
225													10.02	10.65	5.64	2.63	3.61	.89	2.51	.37		225
250													11.13	12.95	6.26	3.19	4.01	1.08	2.78	.44		250
275															6.89	3.81	4.41	1.29	3.06	.53		275
300															7.52	4.48	4.81	1.51	3.34	.62		300
325															8.14	5.19	5.21	1.75	3.62	.72		325
350															8.77	5.95	5.61	2.01	3.90	.83		350
375															9.39	6.77	6.01	2.28	4.18	.94		375
400															10.02	7.63	6.41	2.57	4.45	1.06		400
425																	6.81	2.88	4.73	1.19		425
450																	7.22	3.20	5.01	1.32		450
475																	7.62	3.54	5.29	1.46		475
500																	8.02	3.89	5.57	1.60		500
550																	8.82	4.64	6.12	1.91		550
600																	9.62	5.46	6.68	2.25		600
650																			7.24	2.61		650
700																			7.79	2.99		700
750																			8.35	3.40		750
1000																			11.13	5.79		1000

<sup>1</sup> Friction loss of water in feet per 100 feet length of pipe. Based on Williams & Hazen formula using constant 150.

<sup>2</sup> Recommended operating flow velocities indicated by boxed areas.





IntelliChlor®



iChlor™



SC-75™



Bioshield®



IntelliPool®



IntelliConnect™



Pentair Pro Valve™



IntelliBrite®  
Architectural  
Series



IntelliBrite®-E  
Pool and Spa



IntelliBrite®-PAR56



Globrite®



Provac® II



IntelliChem®



IntelliZone®



Acu-Trol®

Smart, Sustainable  
Water Solutions.

**FOR LIFE.**



**Customer Support**

Pentair Middle East FZE | Office No.: 2001|20th Floor, API World Tower |  
Dubai, United Arab Emirates | PO Box 7709 | Ph: +971 4 3781700 |  
Fax: +971 4 3781777 | E-mail: [aquatics.me@pentair.com](mailto:aquatics.me@pentair.com)

Pentair Water India Pvt Ltd | Candor Techspace, Block B, Industrial Area,  
Sector 62, Noida, Uttar Pradesh 201309. INDIA |  
Ph: +91 120 419 9444 | E-mail: [poolindia@pentair.com](mailto:poolindia@pentair.com)

**Manufacturing Facility**

L/52-55 Verna Salcette, Verna Industrial Estate, Verna, Goa, North  
Goa-403722, India

[pentair.com](http://pentair.com)

All Pentair trademarks and logos are owned by Pentair. All other brands or product names are trademarks or registered marks of their respective owners. Because We are continuously improving our products and services, Pentair reserves the right to change specifications without prior notice.

Pentair is an equal opportunity employer.  
©2023 pentair. All Rights Reserve.  
[fotolia.com](https://www.fotolia.com) & [iStockphoto](https://www.iStockphoto.com)